

PRODUCT RELEASE

Date:

November 2018

Description:

ARB Quick Release Awning Bracket

Application:

All ARB Awnings

Part No. & Barcode:

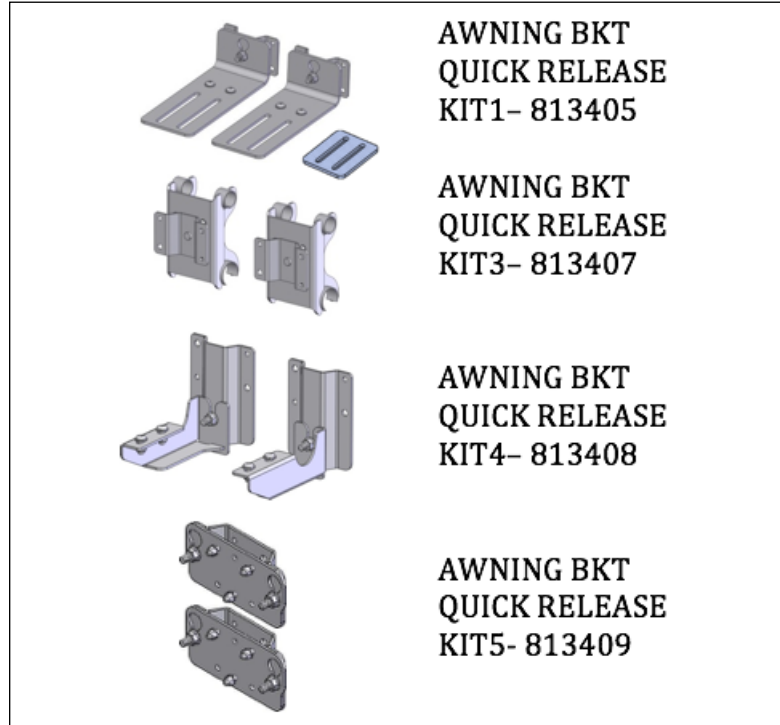
Refer to Table

Price:

Refer to Table

Availability Date:

Now



Product Specification

Quickly unbolt your awning for storage or move it to a different mounting place more easily with the new ARB Quick Release Awning Brackets.

The ARB Quick Release Awning Brackets provide excellent mounting options for all ARB Awnings to ARB roof racks. They provide the correct mounting with no drilling or modifications required in most cases. These Australian-made brackets are built from quality 3mm powder-coated steel, which are zinc-plated to resist corrosion and rubbing.

With a simple one-bolt configuration you are able to easily remove the brackets which allows for storage of the awning when it is not required on the vehicle. This also expands the versatility of the ARB Awning by enabling you to move the awning to either side of the vehicle and even between vehicles.

Traveling with a 2000 or 2500 awning on the back of your SUV isn't possible* but many people want more coverage in the back. By simply using 2 sets of brackets you can move the wide awning from the side of your SUV to the back in minutes.

As you'll see down below in the application chart, we offer Awning Quick Release Brackets for various types of ARB Roof Racks. Kit 1 is designed for side awning mounting on ARB Touring and Flat Racks. Kit 3 is designed for side and rear awning mounting on cage style ARB racks. Kit 4 is designed rear awning mounting on ARB Touring and Flat Racks. Kit 5 can be used for ARB Cage Racks that have already been drilled for an awning or on competitor's racks.

Removing the awning when not needed allows for reduced weight on the vehicle and additional security.

* While in transit, you'll need to move the awning back to the side of the vehicle.

Features & Benefits:

- Made from 3mm Australian steel
- Quality hardware used
- Easy setup and removal
- Styling to match ARB Roof Racks
- No drilling required
- Allows 2.5m awnings attachment for dual cabs
- Suitable for all ARB Awnings

Technical Specifications:

- Powder coated steel
- Zinc plating to reduce abrasion.
- Application chart for easy identification on sell ARB

Pricing & Barcode:

PART NO.	DESCRIPTION	BARCODE
813405	AWNING BKT QUICK RELEASE KIT1	9332018052216
813407	AWNING BKT QUICK RELEASE KIT3	9332018052230
813408	AWNING BKT QUICK RELEASE KIT4	9332018052247
813409	AWNING BKT QUICK RELEASE KIT5	9332018052254

Shipping Weight & Dims:

PART NO.	DESCRIPTION	HEIGHT	WIDTH	LENGTH	WEIGHT
813405	AWNING BKT QUICK RELEASE KIT1	12in	7in	7in	6lbs
813407	AWNING BKT QUICK RELEASE KIT3	12in	7in	7in	6lbs
813408	AWNING BKT QUICK RELEASE KIT4	12in	7in	7in	3.5lbs
813409	AWNING BKT QUICK RELEASE KIT5	12in	8in	5in	2.5lbs

*813409 is shipped in a plastic bag

AWNING QUICK RELEASE APPLICATION CHART



KIT 1 - 813405



KIT 3 - 813407

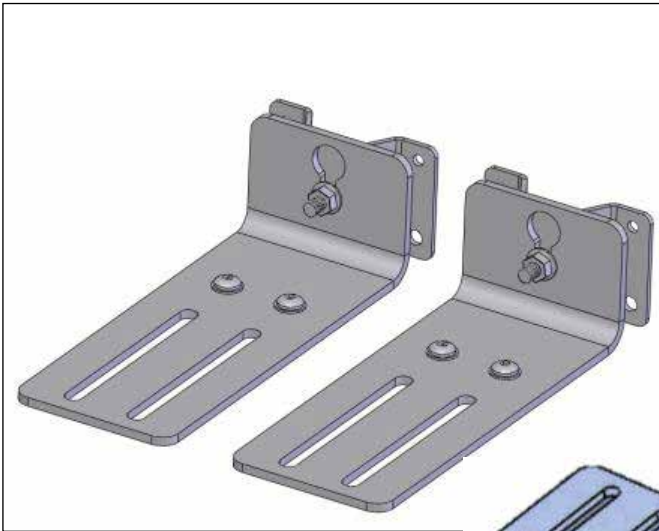


KIT 4 - 813408

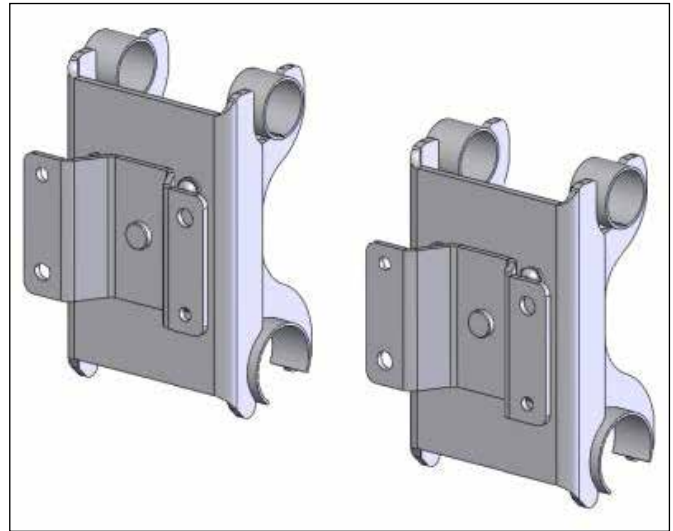


KIT 5 - 813409

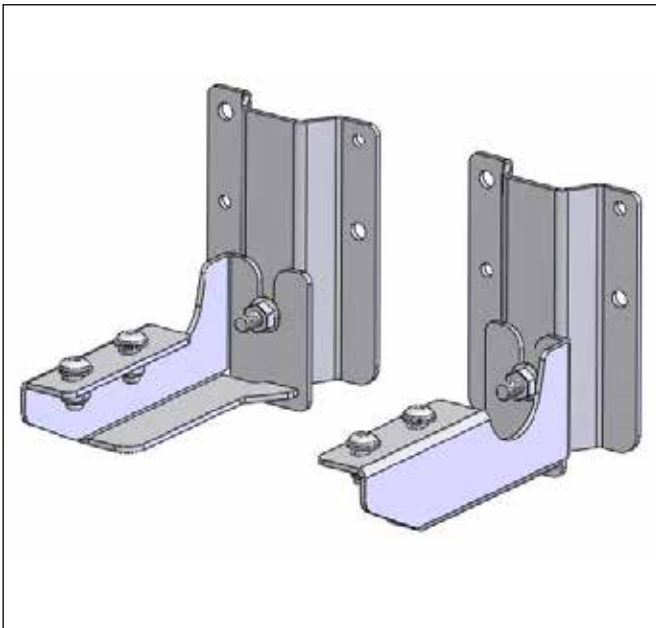
<p>SMALL CAGE- 2 MOUNT POINTS</p>	SIDE		X		X
	REAR		X		
<p>MEDIUM CAGE- 3 MOUNT POINTS</p>	SIDE		X		X
	REAR		X		
<p>LARGE CAGE- 4 MOUNT POINTS</p>	SIDE		X		X
	REAR		X		
<p>TOURING RACK- 3 MOUNT POINTS</p>	SIDE	X			
	REAR				
<p>FLAT RACK- 2 MOUNT POINTS</p>	SIDE				
	REAR			X	
<p>FLAT RACK- 3 MOUNT POINTS</p>	SIDE	X			
	REAR			X	
<p>COMPETITOR RACK / BRACKET FIT</p>	SIDE				X
	REAR				



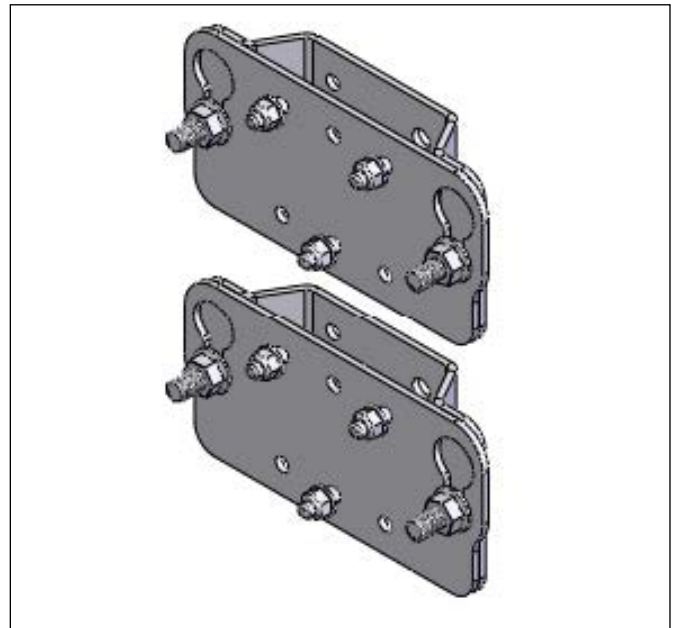
Kit 1
Part Number: 813405
*Includes levelling plate



Kit 3
Part Number: 813407



Kit 4
Part Number: 813408



Kit 5
Part Number: 813409

USA OFFICE

ARB USA- Air Locker Inc.

STREET ADDRESS

4810 D ST. NW #103
Auburn, WA 98001

CONTACT DETAILS

T 425-264-1391
W arbusa.com