



FITTING INSTRUCTIONS

Part Number: 5480100
Product Description: **UNDER VEHICLE PROTECTION**
Suited to vehicle/s: **FORD BRONCO**

WARNING

NOTE THE FOLLOWING:

- ◆ This product must be installed exactly as per these instructions using only the hardware supplied.
- ◆ In the event of damage to any UNDER VEHICLE PROTECTION component, contact your nearest authorised ARB stockist.
- ◆ Do not use this product for any vehicle make or model, other than those specified by ARB.
- ◆ This product or its fixing must not be modified in any way.
- ◆ The installation of this product may require the use of specialized tools and/or techniques
- ◆ It is recommended that this product is only installed by trained personnel
- ◆ These instructions are correct as at the publication date. ARB Corporation Ltd. cannot be held responsible for the impact of any changes subsequently made by the vehicle manufacturer
- ◆ During installation, it is the duty of the installer to check correct operation/clearances of all components
- ◆ Work safely at all times
- ◆ Unless otherwise instructed, tighten fasteners to specified torque

ARB 4x4 ACCESSORIES

Corporate Head Office

42-44 Garden St
Kilsyth, Victoria
AUSTRALIA 3137

Tel: +61 (3) 9761 6622
Fax: +61 (3) 9761 6807

Australian enquiries
North & South American enquiries
Other international enquiries

sales@arb.com.au
sales@arbusa.com
exports@arb.com.au

www.arb.com.au

GENERAL CARE AND MAINTENANCE



By choosing the ARB UNDER VEHICLE PROTECTION, you have bought a product that is one of the most sought after 4WD products in the world. Your UNDER VEHICLE PROTECTION is a properly engineered, reliable, quality accessory that represents excellent value. To keep your UNDER VEHICLE PROTECTION in original condition it is important to care and maintain it following these recommendations:

- It is recommended that following exposure to salt, mud, sand or other contaminants exposed surfaces should be thoroughly cleaned with wash and wax type suds solution.
- As part of any Pre Trip Preparation, or on an annual basis, it is recommended that a thorough visual inspection of the step and rail and surrounding components is carried out, making sure that all bolts are torqued to the correct specification. Also check that nearby wiring and plumbing are free of damage. Replace any components as necessary. This service can be performed by your local authorized ARB Stockist.

REQUIRED TOOLS FOR FITMENT OF PRODUCT:

METRIC SOCKET SET	ALLEN KEY SET
AXLE STANDS (OPTIONAL)	TORQUE WRENCH 20-100Nm

HAVE AVAILABLE THESE SAFETY ITEMS WHEN FITTING PRODUCT:

Protective eyewear		Hearing protection	
--------------------	--	--------------------	--

NOTE: 'WARNING' notes in the fitting procedure relate to OHS situations, where to avoid a potentially hazardous situation it is suggested that protective safety gear be worn or a safe work procedure be employed. If these notes and warnings are not heeded, injury may result.

FASTENER TORQUE SETTINGS:

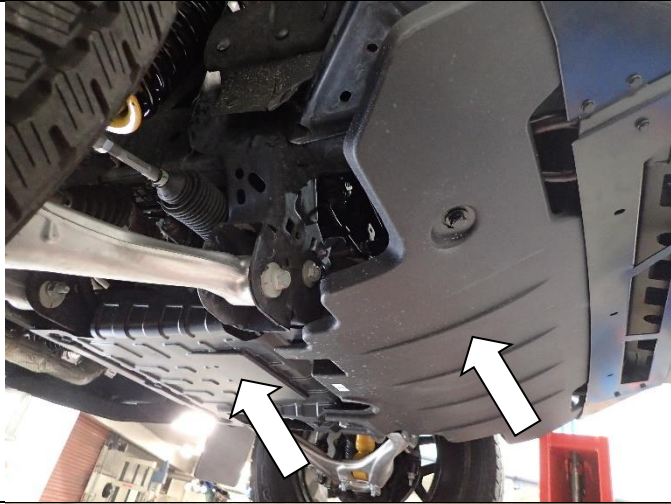
SIZE	Torque (Nm)	Torque (lb-ft)
M8	22	16
M10	44	32
M12 (PC8.8)	77	57
M12 (PC10.9)	95	71

PARTS LISTING

APPLICATION.	PART NO.	QTY	DESCRIPTION
FRONT UVP PANEL	6523508	1	FRONT UVP PANEL ASSY
	4584373	5	WASHER FLAT M10x22.9x2
	6151232	5	BOLT HXHD M10x1.5x30
	6151295	3	SCREW BHD M8x20
	4584336	3	WASHER FLAT M8x17x1.6
FRONT DIFF UVP	6523510	1	FRONT DIFF UVP ASSY
	6151232	4	BOLT HXHD M10x1.5x30
	4584373	4	WASHER FLAT M10x22.9x2
TRANSMISSION UVP	6523512	1	TRANSMISSION UVP ASSY
	3753011R	1	TRANSMISSION CHASSIS STFEN RH
	3753011L	1	TRANSMISSION CHASSIS STFEN LH
	4655109	1	INTERNAL CHASSIS NUT PLT
	4655083	2	PLT M12 WELDMENT
	4584354	8	WASHER FLAT M12x24x2.5
	6151360	4	BOLT HXHD M12x1.75x35
	6151232	3	BOLT HXHD M10x1.5x30
	6151657	2	NUT FLANGE M12x1.75
	4584373	3	WASHER FLAT M10x22.9x2
6151355	4	BOLT HXHD M12x1.75x30	
TRANSFER CASE SHIELD	6523514	1	TRANSFER CASE SHIELD ASSY
	6151232	2	BOLT HXHD M10x1.5x30
	6151094	3	BOLT HXHD M12x1.25x30
	4584354	5	WASHER FLAT M12x24x2.5
	4655083	2	PLT M12 WELDMENT
	4584373	2	WASHER FLAT M10x22.9x2

FITTING PROCEDURE

IMPORTANT NOTE: These instructions apply to FORD BRONCO.



1. If fitted, remove the skids and under panels. Leave gas tank skid in place.



2. Start by prepping the chassis for the UVP installation. Bend 2 x M12 nut wand in the configuration shown.
3. Remove both L&R rear nuts on sway bar frame mount.



LHS SHOWN



4. Insert nut wands into frame rail through large oval and around inner frame reinforcements.
5. Using an M12x30 bolt and washer, attach the transmission panel wing braces to the frame.
6. Tighten sway bar nut to factory torque.

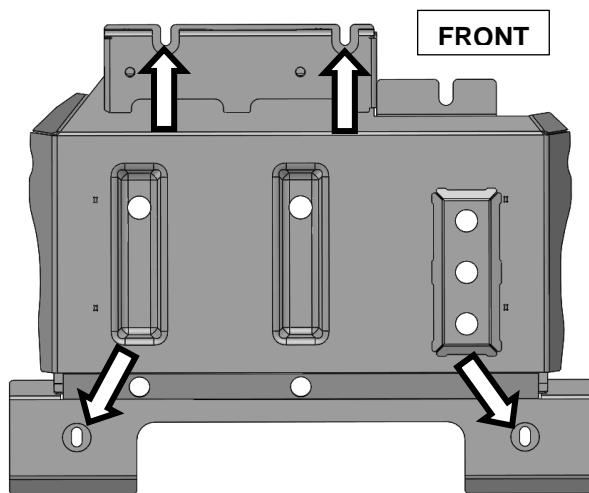
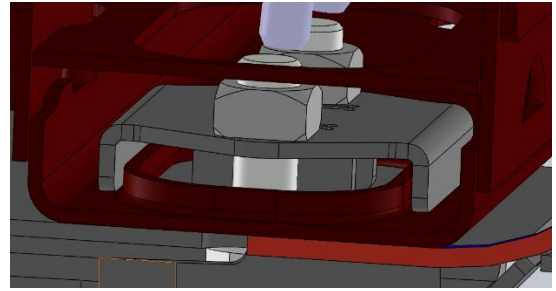


M10 OEM – 90Nm / 66lbft



7. Insert the Internal chassis nut plate into the chassis as shown.

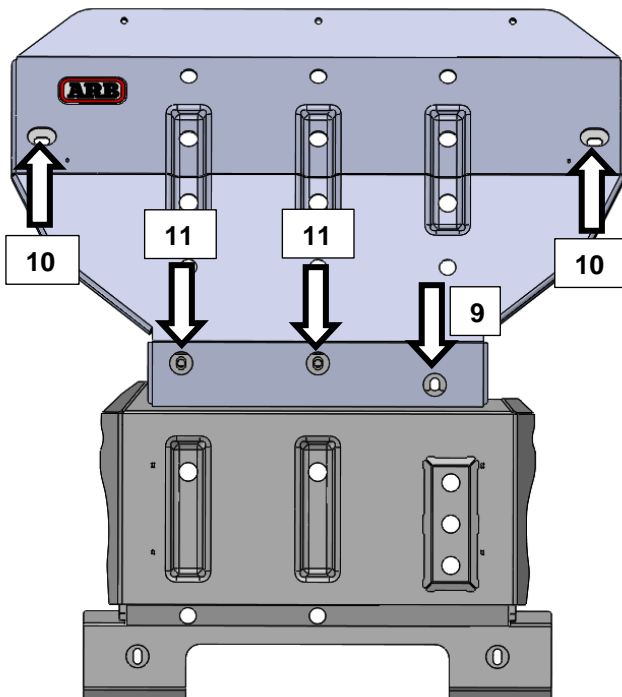
Make sure the side folds sit over the chassis press form as shown below.



8. Mount the FRONT DIFF UVP first. Fit 2x M10x30 bolts and washers to the first chassis crossmember. Then slip the UVP panel onto these M10 bolts and attach the rear 2x M10x30 bolts and washers. Torque to spec.



M10 – 44Nm / 32lbf



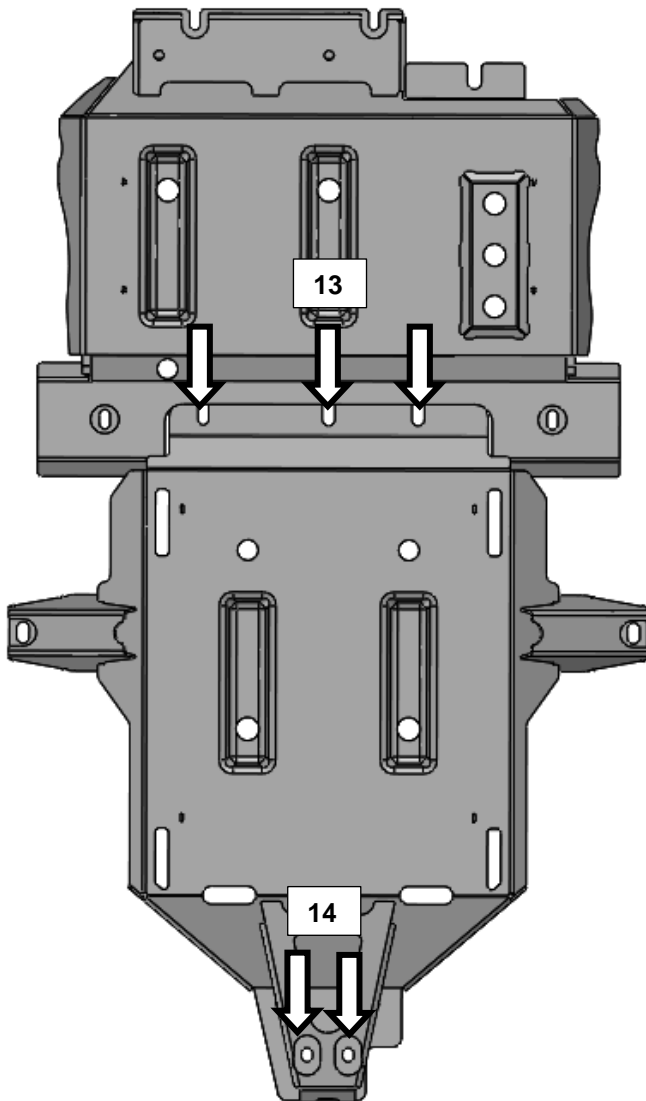
9. Moving to the FRONT UVP PANEL, insert 1 x M10 x 30 bolt and washer into the nut on the OE diff mount.
10. Lift the panel and locate the slot over the M10 bolt, fit the two front M10 x 30 bolts and washers to hold it in place.
11. Then using 2 x M10 x 30 bolts and washers, attach the rear to the frame and second panel.

LEAVE FASTENERS LOOSE



12. If fitted, install 3x M8 x 20 button heads and washers into bumper splash pan.

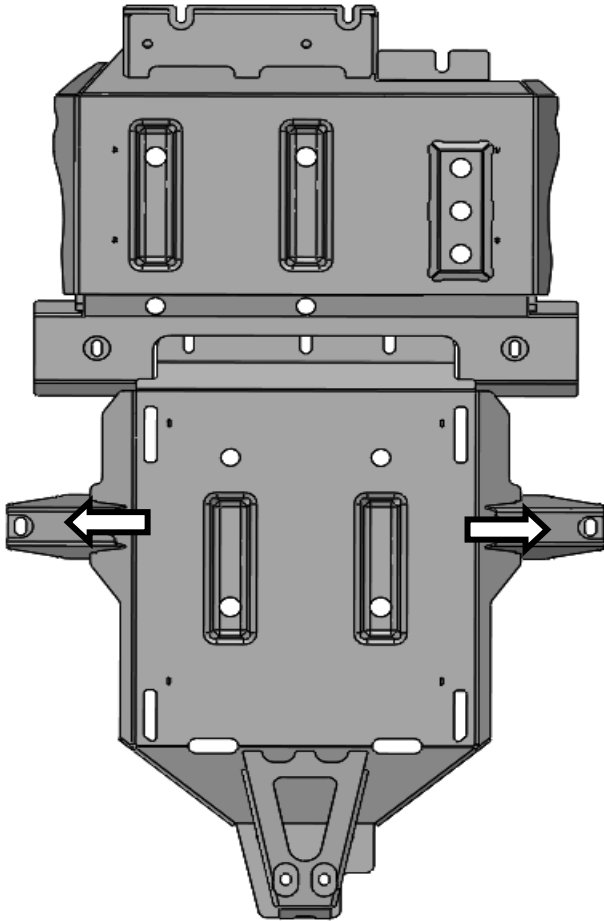
LEAVE FASTENERS LOOSE



13. Moving to the TRANSMISSION UVP. Fit 3x M10 x 30 bolts and washers into the second chassis crossmember.

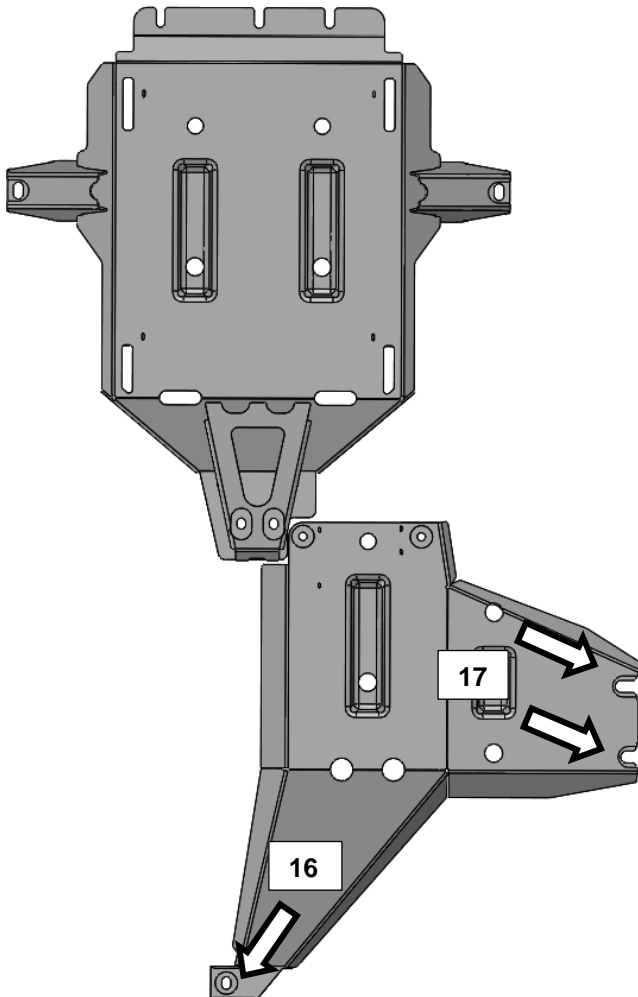
14. Locate the Transmission panel onto these fasteners and lift the rear to fit the 2 x M12 x 35 bolts and washers into the previously fitted internal chassis nut plate as shown in step 7.

LEAVE FASTENERS LOOSE



15. Using 2x M12x35 bolts, washers, and flange nuts, attach third panel to the side chassis braces.

LEAVE FASTENERS LOOSE



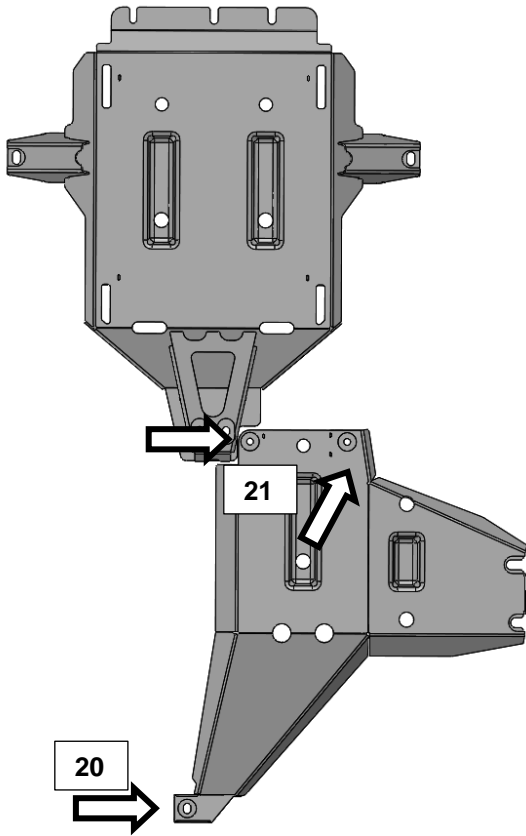
16. Start fitting the TRANSFER CASE SHIELD by removing front inboard fuel tank strap bolt.

17. If the vehicle came with an OE Transfer case panel, there will be nuts in the chassis, insert 2x M12 x 30 bolts and washers into these captive nuts.

18. If the nuts are not in the chassis, use the 2 M12 nut sticks through hole in the outer chassis side to fit 2 x M12 x 35 bolts and washers.



LEAVE FASTENERS LOOSE



19. Lift the TRANSFER CASE SHIELD and slot onto the chassis mounted M12 bolts.
20. Fit 1 x M12 x 30 bolt and washer into the fuel strap bolt location.
21. Fit the 2 x M10 x 30 bolts and washers into the chassis crossmember.
22. Make sure all panels have adequate clearance and proceed to torque all fasteners starting at the front moving to the back.

SIZE	Torque (Nm)	Torque (lb-ft)
M8	22	16
M10	44	32
M12 (PC8.8)	77	57
M12 (PC10.9)	95	71

FITTED PRODUCT

