

ARB FITTING INSTRUCTIONS

Part Number: 3540330

Product: WINCH INSTALL KIT SUITS FORD M-17757-R1F WITH VR EVO 10-5

Description:

WINCH MODEL	ADDITIONAL KITS
WARN VR EVO 10	W106928 KIT WIRE EXTENSION VR EVO

ARB 4x4 ACCESSORIES

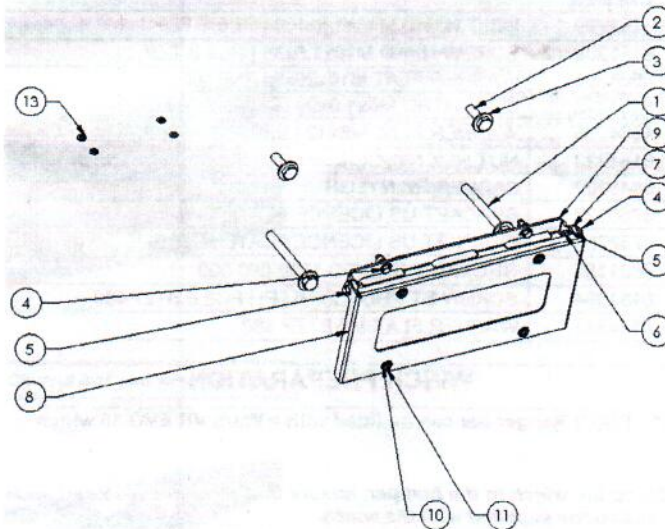
Corporate Head Office

42-44 Garden St
Kilsyth, Victoria
AUSTRALIA 3137

Tel: +61 (3) 9761 6622
Fax: +61 (3) 9761 6807

Australian enquiries
North & South American enquiries
Other international enquiries

sales@arb.com.au
sales@arbusa.com
exports@arb.com.au





www.arb.com.au

FITTING REQUIREMENTS

REQUIRED TOOLS FOR FITMENT OF PRODUCT:

BASIC TOOL KIT	SIDE CUTTERS
ALLEN KEY SET	SOCKET SET

HAVE AVAILABLE THESE SAFETY ITEMS WHEN FITTING PRODUCT:

Protective eyewear		Hearing protection	
--------------------	---	--------------------	---

E: 'WARNING' notes in the fitting procedure relate to OHS situations, where to avoid a naturally hazardous situation it is suggested that protective safety gear be worn or a safe work edure be employed. If these notes and warnings are not heeded, injury may result.

FASTENER TORQUE SETTINGS:

SIZE	Torque Nm	Torque lbf
M6	9Nm	7lbf
M8	22Nm	16lbf
M10	44Nm	32lbf
M12	77Nm	57lbf

PARTS LISTING

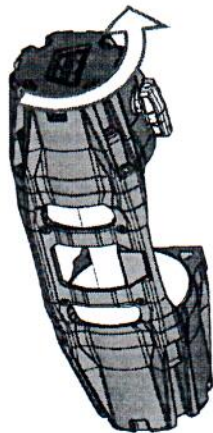
M NO.	PART NUMBER	DESCRIPTION	QTY.
1	6151299	BOLT HXHD M10x1.5x100 PC8.8 TZP	2
2	6151204	SCREW HXHD M10x1.5x35 PC8.8 TZP	2
3	4584399	WASHER FLAT M10x25x3 ZNB480	4
4	6151213	BOLT HXHD M6x1.0x20 PC8.8 ZNB480	4
5	4584295	WASHER FLAT M6x12 BZP	8
6	6151223	NUT HEX NYLOC M6x1.0 ZNB480	4
7	5848302	PACKER RB NYLON	2
8	3750122	BRACKET US LICENCE PLATE SWING	1
9	3752754	BRACKET US LICENCE PLATE MNT FLIP	1
10	6821189	GROMMET RND FC 1500 080 090	4
11	6151384	SCREW ST PHD 5.2x16 PH PC8.8 BTZP480	4
13	4584347	WASHER FLAT M5 BTZP 480	4

WINCH PREPARATION

M-17757-R1F FORD Ranger bar can be fitted with a Warn VR EVO 10 winch

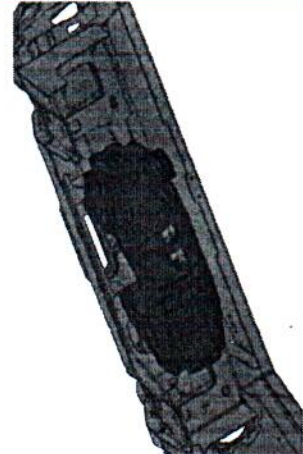
- Before fitting the winch to the bumper, ensure that you have read and understand the fitting instructions supplied with the winch.
- These Winch Install Kit instructions only cover the fitment of the winch and control box to the bumper. They do not cover the wiring procedure. For this refer to the winch manufacturer's instructions.
- You will need to modify your winch to allow fitment into the M-17757-R1F Bumper.

WINCH PREPARATION CONTINUED



- Warn VR Evo Winches: Referring to WARN manual, undo the screws in the gearbox end of the winch. Carefully release the gearbox away off the winch body by a few mm only until it is able to rotate. Rotate the gear box anti-clockwise 90° as shown and replace screws.
- Remove the control box as per the VR EVO control pack relocation kit guide, retain fasteners.

WINCH FITTING PROCEDURE



View from front – Control box, top of lower pan

- Locate the M-17757-R1F bumper face down on a smooth non-marking surface.
- Sit the winch in position on the bar's winch cradle.
- Insert the captive M10 Nuts (supplied with winch) into the winch fastening locations
- Attach the winch to the bar through the top 2 fastening holes using 2 x Bolts M10 x 35 (item 2) and Washers M10 (item 3)
- Insert into two lower bolt positions 2 x Bolts M10 x 100 (item 1) and Washers M10 (item 3)
- Level the winch and tighten the bolts - refer to winch mounting instructions.



View from rear – Control box and winch in situ.

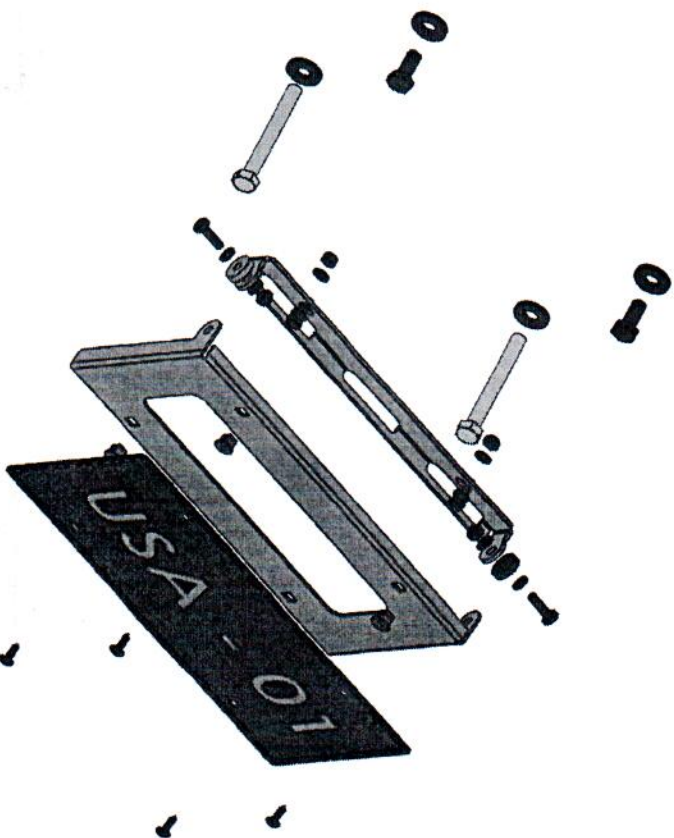
- Relocate the EVO Controller onto the top of the lower pan as shown
- Fasten with 4 X M5 Cap Screws removed at step 2, with M5 Flat Washers (item 13)
- Install the Warn VR EVO wire extension kit to the winch and control box.
- Secure harness free of sharp edges and moving objects



FOLDING LICENCE PLATE FITTING PROCEDURE

13. Assemble the Bracket MNT Flip (Item 9) (smaller of the two licence plate brackets) to the front of the M-17757-R1F bumper using 2 x Bolts M6x20 (Item 4), 4 x Washers M6 (Item 5) and 2 x Nut Nyloc M6 (Item 6) provided.
14. Assemble the Licence Plate Bracket Swing (Item 8) to the Bracket MNT Flip (Item 9) as shown using 2x Bolts M6x20 (Item 4), 4 x Washers M6 (Item 5), 2 x Nylon packer washers (Item 7) and 2 x Nut Nyloc M6 (Item 6) provided.
15. If fitting a licence plate, secure to the Licence Plate Bracket Swing (Item 8) fit 2 x Grommets (Item 10) and 2 x Screws (Item 11) as shown in the diagram below.

 M6 – 9 Nm



NOTE:

- Ensure all cables are attached as per the winch manufacturer's instructions. Ensure cables are securely attached and cannot rub on any sharp edges.
- Neatly run the cables and secure using cable ties, leaving the 2 long power cables free to be connected to the vehicle battery once M-17757-R1F has been installed.

Return to the bumper fitment instructions.