



ELEMENTS

WEATHERPROOF FRIDGE

EN	OPERATING AND SERVICE GUIDE	1
DE	BEDIENUNGS- UND SERVICEANLEITUNG	28
ES	GUÍA DE USO Y MANTENIMIENTO	54
FR	MANUEL DE L'UTILISATEUR	80
IT	GUIDA ALL'USO E ALLA MANUTENZIONE	106

Please read this operating and service guide carefully before starting your ARB Fridge for the first time. This guide should be kept in a safe place together with a copy of your receipt.

CONTENTS

1	INTRODUCTION	3
2	SUPPLY DETAILS	3
3	SAFETY INSTRUCTIONS	4
	3.1 General safety	4
	3.2 Safe operation of the fridge	4
4	INTRODUCTION TO YOUR ARB FRIDGE	5
5	INSTALLATION	6
	5.1 General installation	6
	5.2 Vehicle Installation	7
	5.2.1 Permanent mounting	7
	5.2.2 Temporary mounting	8
6	OPERATION	9
	6.1 Before use	9
	6.2 Carrying your fridge	9
	6.3 Opening your fridge	9
	6.4 Connecting your fridge	10
	6.4.1 Connecting to 100-240V AC	10
	6.4.2 Connecting to an engine driven generator	10
	6.4.3 Connecting to 12/24V DC	11
	6.4.4 12/24 V DC wiring requirements	11
	6.4.5 12/24V DC power socket	12
	6.5 Turning the fridge on or off	13
	6.6 Setting the target cabinet temperature	13
	6.7 Changing between °C and °F	13
	6.8 Changing transmission channel	14
	6.9 Changing control panel brightness	14
	6.10 Displaying supply voltage	14
	6.11 Electronic lock	15
	6.11.1 To activate electronic lock	15
	6.11.2 To deactivate electronic lock	15
	6.11.3 To lock fridge	15
	6.11.4 To unlock fridge	16
	6.11.5 To change access code	16
	6.12 Using the battery monitor	17
	6.13 Making use of the basket	18
	6.14 Basket divider	19
	6.15 Drain plug	19
	6.16 Locking fridge with padlock	19
	6.17 Cable Strap	20
	6.18 Energy saving advice	20
	6.19 Defrosting your fridge	20
	6.20 Replacing the plug fuse (12/24V)	21
	6.21 Replacing the cabinet fuse	21
	6.22 Storing your fridge	22
7	CLEANING AND MAINTENANCE	22
8	DISPOSAL	22
9	TECHNICAL DATA	23
10	WARRANTY	24
11	TROUBLESHOOTING	25

1 INTRODUCTION

Congratulations on purchasing an ARB Fridge. Your ARB Fridge has been specifically designed for tough off road conditions and its primary purpose is for cooling down food and beverages. It may also be used as a freezer if desired. By following the instructions and guidelines listed in this document, you will ensure that you receive maximum performance and long term reliability out of your new fridge.

Your ARB Fridge is designed to operate on a 12V DC or 24V DC supply from a vehicle, boat or caravan. It can also be operated from a 100-240V AC mains supply using the inbuilt power inverter.

CAUTION - If you wish to cool medicines, please check if the cooling capacity of the fridge is adequate for the purpose.

2 SUPPLY DETAILS

Your ARB Fridge has been delivered with the following items. If any of these items have not been included with your fridge, please contact your local ARB Fridge dealer.

<i>ITEM</i>	<i>QUANTITY</i>
<i>ARB Fridge</i>	<i>1</i>
<i>Reversible basket</i>	<i>1</i>
<i>Basket divider</i>	<i>1</i>
<i>12/24V DC power cable</i>	<i>1</i>
<i>100-240V AC power cable</i>	<i>1</i>
<i>Cable strap</i>	<i>1</i>
<i>Operating and service guide</i>	<i>1</i>

3 SAFETY INSTRUCTIONS

3.1 General safety

For the safety of all people who will use your fridge, ARB recommends that you take note of the following general safety points:

- Always apply the correct voltage to the fridge with the correct polarity.
- Do not connect your fridge to a battery charger, AC/DC converter or rectifier.
- Disconnect the fridge from the battery before using a high-speed battery charger.
- Do not use sharp, abrasive or corrosive materials to clean or defrost the fridge.
- Children should be supervised whilst operating the fridge.
- This appliance can be used by children aged from 8 years and above and persons with reduced physical, sensory or mental capabilities or lack of experience and knowledge if they have been given supervision or instruction concerning use of the appliance in a safe way and understand the hazards involved. Children shall not play with the appliance. Cleaning and user maintenance shall not be made by children without supervision.
- If your power cable is damaged, it must be replaced before the fridge is used.
- Disconnect your fridge from all power supplies before cleaning or maintenance.
- Do not store flammable liquids or gases in or near your fridge.
- Do not open or tamper with the refrigerant circuit.
- Do not remove or modify any of the electrical components.
- Do not store or transport caustic or solvent based material in the fridge.
- Do not use your fridge if there are visible signs of damage.
- Only have your fridge serviced by an authorised ARB Fridge Service Agent.
- Do not store explosive substances such as aerosol cans with a flammable propellant in this appliance.
- This appliance is intended to be used in household and similar applications such as:
 - Staff Kitchen areas in shops, offices and other working environments.
 - Farm Houses and by clients in hotels, motels and other residential type environments.
 - Bed and breakfast type environments.
 - Catering and similar non-retail applications.

3.2 Safe operation of the fridge

For safe operation of your fridge, ARB recommends that you take note of the following safety points.

- Ensure that there is always sufficient ventilation around the fridge to prevent overheating. Refer to section 5.1 for details.
- Do not touch the internal metal shell of the fridge with a wet hand.
- Do not place your fridge near naked flames or other heat sources (heaters, camp fires, gas ovens etc.).
- Do not fill your fridge cabinet with ice or fluid.
- Do not place electrical devices inside your fridge.
- Do not use your fridge if you suspect that the electrical system has been exposed to water.
- Do not use your fridge if it has been immersed in water.

4 INTRODUCTION TO YOUR ARB FRIDGE

The key components of your ARB Fridge are identified below in Figures 1 to 4.

Figure 1 – Front of fridge

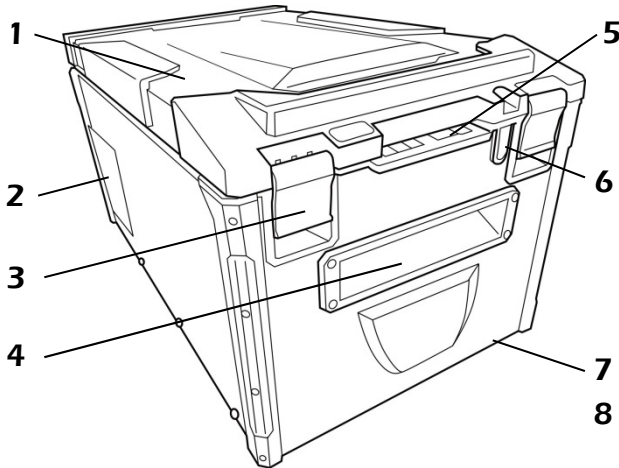


Figure 2 – Rear of fridge

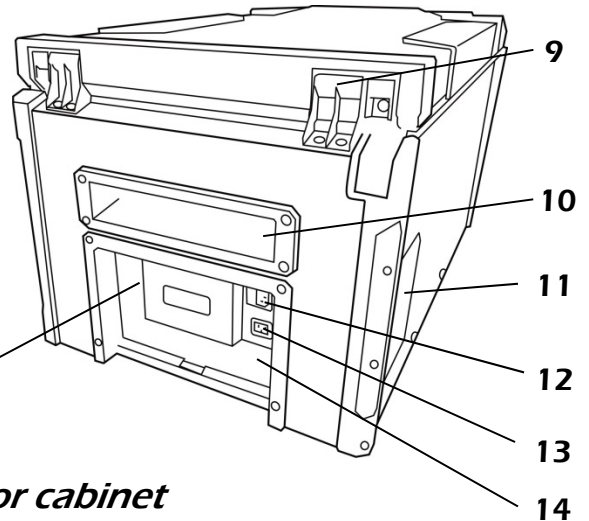
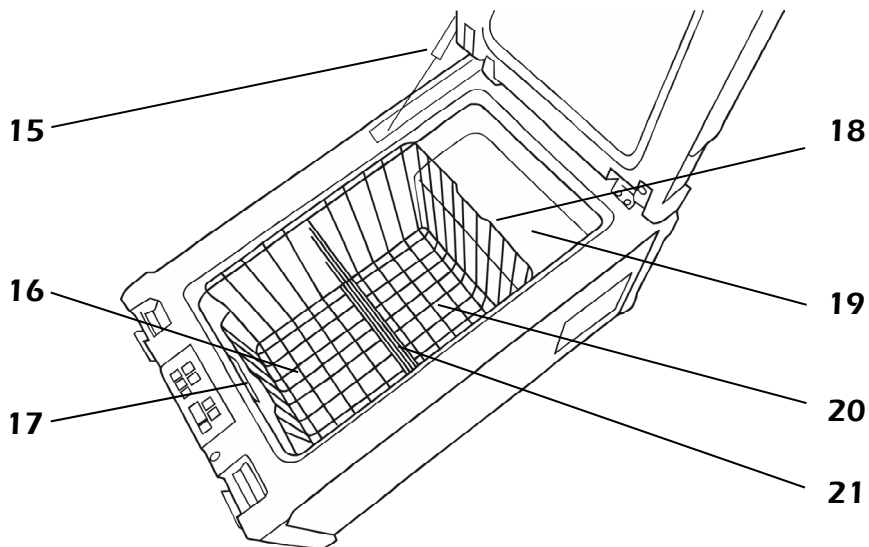
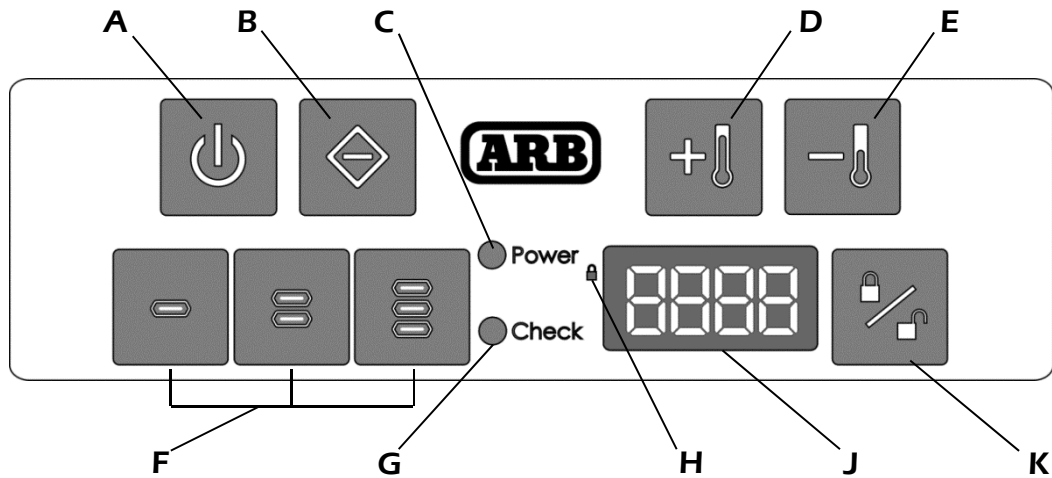


Figure 3 – Interior cabinet



- | | |
|------------------------------------|--|
| 1. Lid | 12. 100-240V AC power socket |
| 2. Cooling vent LH | 13. 12/24V DC power socket |
| 3. Lid latch x 2 | 14. Compliance plate and serial number |
| 4. Front carry handle | 15. Gas strut |
| 5. Control panel | 16. Drain plug |
| 6. Padlock position | 17. LED cabinet light |
| 7. Rubber feet x 4 | 18. Reversible basket |
| 8. Socket for wireless transmitter | 19. Secondary cooling cabinet |
| 9. Hinge x 2 | 20. Primary cooling cabinet |
| 10. Rear carry handle | 21. Basket divider |
| 11. Cooling vent RH | |

Figure 4 - Control panel

- | | |
|---|--------------------------------|
| A. Power ON / OFF Button | F. Key pad for electronic lock |
| B. Function Button | G. Check Indication LED |
| C. Power Indication LED * | H. Lock Symbol |
| D. Temperature Up Button (<i>change setting up</i>) | J. Display |
| E. Temperature Down Button (<i>change setting down</i>) | K. Lock / Unlock Button |

* The power LED is green when the compressor is running. The power LED is orange when the compressor is not running (eg. when the fridge has reached its target temperature).

5 INSTALLATION

5.1 General installation

The following points should be considered when choosing a location to install your ARB Fridge.

- A minimum clearance of 50 mm must be maintained on all sides of the fridge.
- Whether the installation is permanent or temporary, the fridge must be attached to secure anchorage points.
- The ideal mounting position for the fridge is on a flat, horizontal surface. If the fridge is subject to sideways angles (eg. heel on a boat), it can withstand a sideways angle of 30°.
- Avoid placing the fridge near sharp or hot objects.
- Avoid placing the fridge near loose objects that could fall on the cabinet and obstruct its operation.
- Never operate the fridge near flammable liquids or vapours.
- Avoid turning or storing your fridge on its side.

5.2 Vehicle installation

5.2.1 Permanent mounting

Your ARB fridge can be permanently mounted to a flat solid surface using the four threaded inserts in its base or the ARB Solid Mounting Kit. If your fridge will be removed on a regular basis, please refer to section 5.2.2 (temporary mounting).

For further information on the ARB Solid Mounting Kit, refer to instructions provided with the kit.

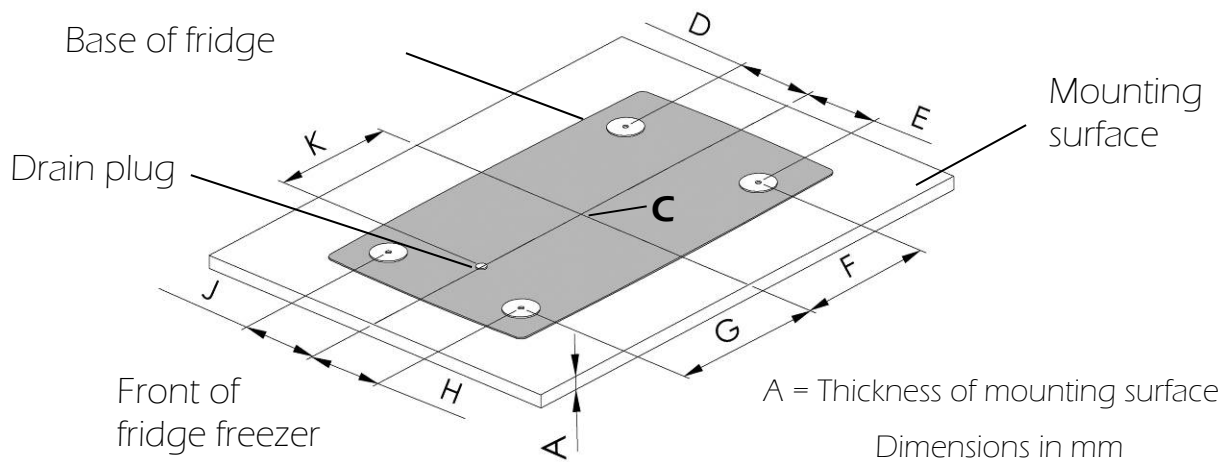
To permanently mount the fridge using the threaded inserts in the fridge base:

- Position the fridge on the mounting surface at the desired location and mark the outline of the cabinet.
- Remove the fridge and mark the centre of the cabinet. The centre is shown as point C in Figure 5a.
- Mark and drill four 6.5 mm holes in the mounting surface using the diagram in Figure 5a as a guide.
- To make use of the drain plug, mark and drill one 13 mm hole in the mounting surface at the point shown in Figure 5a.
- Remove the M6 bolt from the centre of each of the four rubber feet to expose the treaded inserts. Ensure that the rubber feet remain in the base of the cabinet.
- Position the fridge on the mounting surface so that the drilled holes line up with the threaded inserts in the cabinet.
- Attach the cabinet to the mounting surface using M6 bolts as shown in figure 5b. Do not exceed the fastener assembly torque of 3.5 Nm (2.5 lbft) when tightening the M6 bolts. ARB recommends applying no permanent thread sealant to the bolt threads.

NOTE :

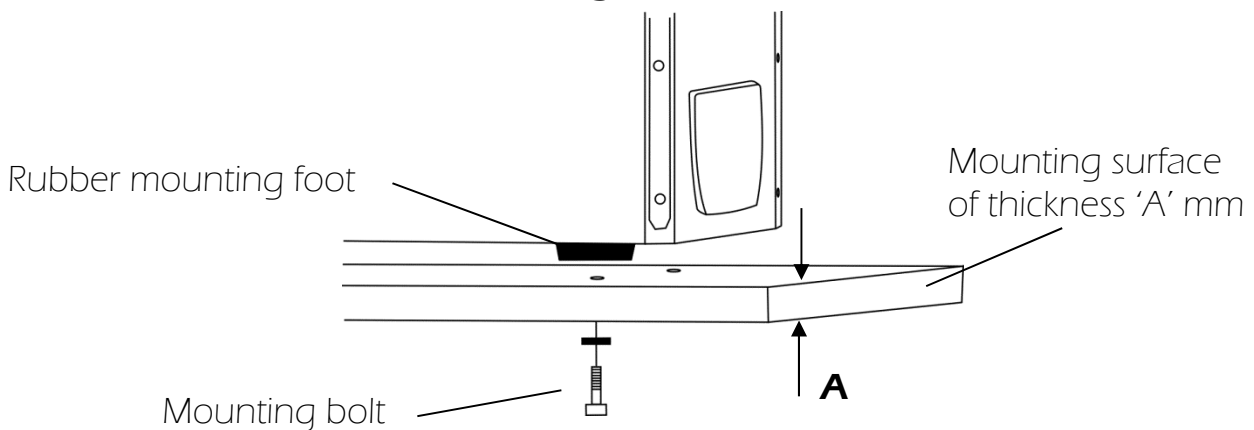
- ***The rubber feet must be fitted between the base of the cabinet and the mounting surface.***
- ***If longer bolts are required, M6 x 1.0 high tensile socket head cap screws with a minimum grade of 8.8 must be used. To avoid damaging electrical components within the fridge, the bolt length must only be increased by the thickness of the mounting surface (dimension 'A' in Figure 5a) plus 8 mm to allow for the recess in the rubber feet.***
- ***When removing the M6 bolts, avoid turning the fridge on its side.***

Figure 5a



Fridge Capacity	D	E	F	G	H	J	K
60/63qz (mm/in)	182/7.2	182/7.2	365/14.4	365/14.4	182/7.2	182/7.2	266/10.5

Figure 5b



5.2.2 Temporary mounting

ARB recommends that the ARB Tie Down Kit be used to mount the fridge to solid anchorage points. This kit includes a quick release feature to allow the fridge to be quickly and easily released from its mounting position.

6 OPERATION

6.1 Before use

Before starting your fridge for the first time, it should be cleaned inside and out with a damp cloth. Please refer to the chapter 7, "Cleaning and maintenance" for further details on maintaining your fridge.

6.2 Carrying your fridge

Your ARB Fridge is supplied with a handle at each end of the cabinet. These handles should be used to lift and move the fridge.

WARNING - The lid latches *MUST NEVER* be used to lift or move the fridge.

CAUTION - The fridge should always be lifted by at least two people using correct lifting techniques.

6.3 Opening your fridge

Your ARB fridge has two over-centre lid latches that provide positive closure between the lid, the cabinet and the lid seal.

To open the lid:

- Place your hand under each latch and pull away from body of fridge.
- Once released, unhook latches from lid and open fridge. Refer to Figure 6a.

To close the lid:

- Position each latch onto latch stops in lid and press towards body of fridge.
- The latches will make a crisp, clicking noise as they close. Refer to Figure 6b.

Figure 6a

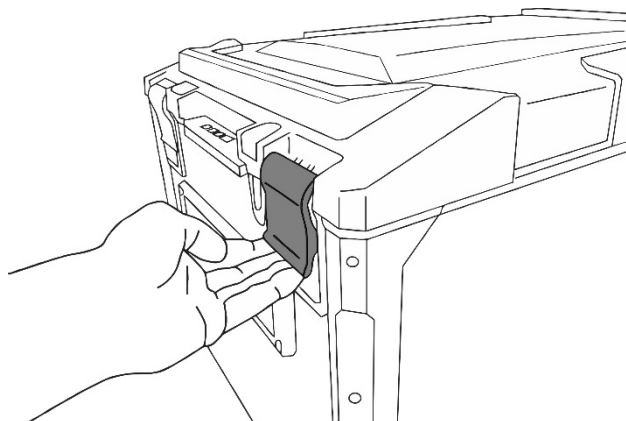
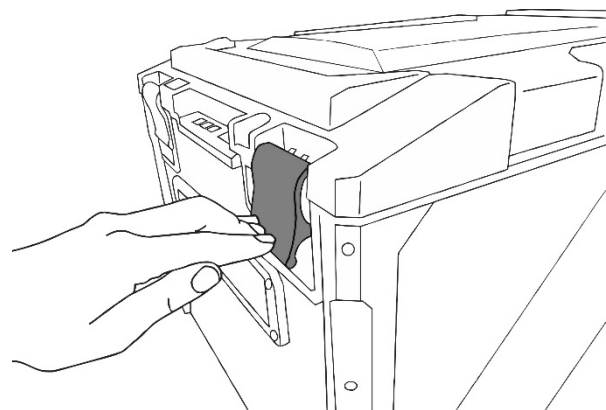


Figure 6b



6.4 Connecting your fridge

6.4.1 Connecting to 100-240V AC

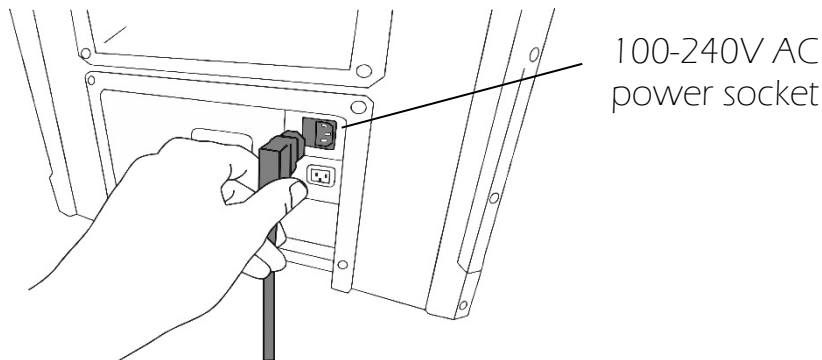
Your ARB Fridge can be operated on an AC voltage of 100 – 240V. The fridge has a priority circuit which gives priority to mains AC power over DC power. If the fridge is connected to both AC and DC power, the unit will run solely on the AC supply.

NOTE: The red LED on the control panel may light up briefly when the supply voltage is switched between AC and DC.

To connect your fridge to 100 – 240 V AC supply:

- Plug the 100-240 V power lead into the AC power socket on the back panel of the fridge as shown in Figure 7.
- Connect the free end of the power lead to a 100 – 240 V AC supply.

Figure 7



CAUTION - Never handle the plugs, leads or switches with wet hands or while standing on a wet surface.

CAUTION - If you are operating your fridge from a 100-240 V AC supply, a residual current circuit breaker must be installed in the circuit. ARB advises seeking advice from a qualified technician.

6.4.2 Connecting to an engine driven generator

Take note of the following points before connecting your fridge to an engine driven generator.

- The generator must be fitted with an automatic voltage regulator. It must supply a standard, pure sine wave AC voltage, without fluctuation in voltage or frequency (eg 120 VAC~60Hz or 240 VAC~50Hz).
- When using the DC output from your generator, a battery of correct voltage (12 or 24V) must be connected between the generator and the fridge.
- The fridge should be turned off when starting and stopping your generator.

CAUTION – Some engine driven generators are not suitable for powering your fridge.

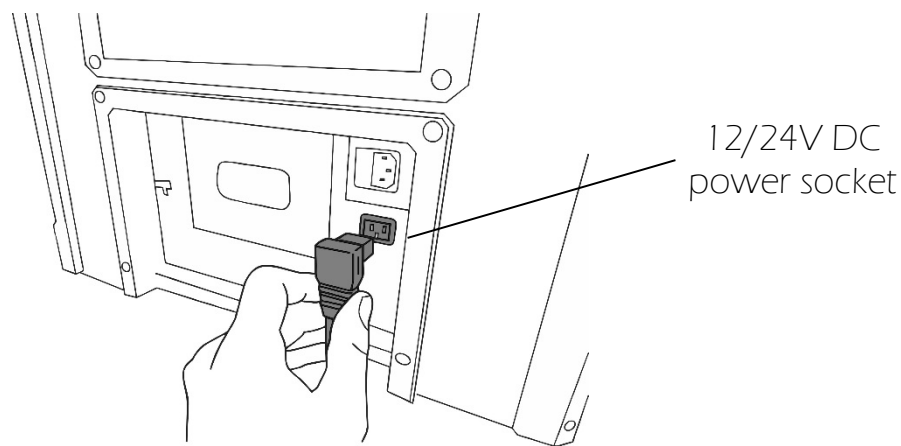
6.4.3 Connecting to 12/24V DC

Your ARB fridge can be operated on either 12V or 24V DC. Your fridge is fitted with a control circuit to prevent polarity reversal when the unit is connected to a battery.

To connect your fridge to a 12 V or 24V DC supply:

- Plug the 12/24V power lead into the DC power socket on the back panel of the fridge as shown in Figure 8.
- Connect the free end of the power lead to a 12V or 24V DC supply that is suitably fused. Refer to section 6.4.4 for information about DC wiring and fusing.

Figure 8



6.4.4 12/24 V DC wiring requirements

To ensure optimum performance of your fridge, it is important that your wiring system is capable of carrying the required load. The accessories wiring system in many vehicles is not adequate for such a task.

ARB recommends that a dedicated wiring circuit be installed to power the fridge. This circuit should be as short as practical and be connected directly to the power supply via a 15 Amp fuse. The ARB DC wiring kit provides all material for such a circuit.

For an automotive or marine installation, ARB recommends that the wiring circuit be connected to an isolated power supply like an auxiliary battery system. This will prevent discharge of the main starting battery.

For cable lengths up to 6m (20'), ARB recommends a minimum of 6mm automotive cable (4.5mm² / AWG11).

For cable lengths greater than 6m (20'), ARB recommends that you consult a qualified technician for advice on the correct cable size.

6.4.5 12/24V DC power socket

The plug on your 12/24V DC power lead has a removable end. With the end in place as shown in Figure 9a, this plug will fit into a conventional vehicle accessories power socket (cigarette lighter). With the end removed as shown in Figure 9b, this plug will fit into an ARB 2 pole auxiliary power socket.

Figure 9a

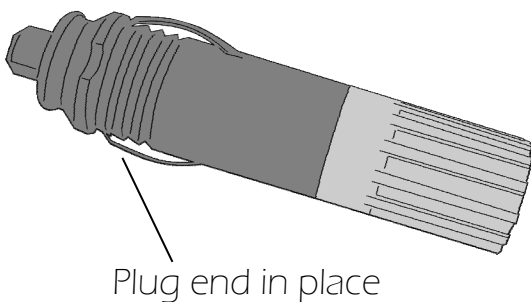
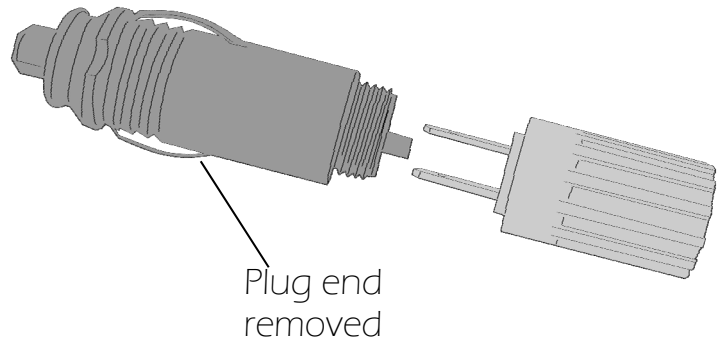


Figure 9b



ARB highly recommends that this 2 pole connection be used for all 12V DC and 24V DC connections of your fridge. This will provide a positive and secure connection between your power source and your fridge.

The following points should be considered when choosing a location for your fridge auxiliary power socket:

- Position the power socket as close to the fridge as practical.
- Position the power socket in a convenient location that will allow the user to easily connect and disconnect the plug from the socket.
- Position the power socket in a protected location away from dust and moisture.
- Position the socket high in the vehicle to prevent it from becoming wet should the vehicle ingest water.

NOTE – If the plug or adaptor collar are removed and the fridge is connected to a 12V or 24V DC circuit, a 15 Amp inline fuse must be included in the circuit.

6.5 Turning the fridge on or off

To turn your ARB Fridge on:


- Open lid
- Press and hold  for 2 – 3 seconds.

When the fridge is on, the power LED will light up green.

The display will show the current cabinet temperature.






NOTE - The current cabinet temperature is a reading of the temperature at the centre of the cabinet. The temperature at other areas of the cabinet can deviate from this temperature.

To turn the fridge off:

- Open lid
- Press and hold  for 2 – 3 seconds.
- When the fridge is off, the power LED and the display will go blank.

6.6 Setting the target cabinet temperature

To set the target cabinet temperature of your ARB Fridge:




- Open lid and turn the fridge on.
- Press  once to display current cabinet target temperature.
- Press  to increase the target temperature by one degree.
- Press  to decrease the target temperature by one degree.
- Continue pressing  or  until the desired target cabinet temperature is reached.
- After 5 to 6 seconds of inactivity, the display will flash and return to displaying the current cabinet temperature.

NOTE - When the target temperature is reached, the compressor will stop running and the Power LED will change to orange.

6.7 Changing between °C and °F

Your ARB Fridge is capable of displaying temperature in either degrees Celsius (°C) or degrees Fahrenheit (°F.)


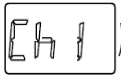


To change the display between °C and °F:

- Open lid and turn the fridge on.
- Press  twice to display current temperature unit setting.
- Press  or  to change between °C and °F.
- After 5 to 6 seconds of inactivity, the display will flash and return to displaying the current cabinet temperature.

6.8 Changing transmission channel

Your ARB fridge can be used with the ARB wireless fridge display (sold separately) that has the choice of 4 transmission channels.

To change the transmission channel:


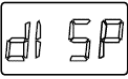


- Open lid and turn fridge on.
- Press  four times to display current transmission channel (eg ).
- Press  or  to change between Ch1, Ch2, Ch3 and Ch4.
- After 5 to 6 seconds of inactivity, the display will flash and return to displaying the current cabinet temperature.

Refer to instructions provided with the ARB wireless fridge display for information about its installation and use.

6.9 Changing control panel brightness

The brightness of the control panel display on your ARB fridge is adjustable.


To change the brightness of the control panel display:

- Open lid and turn fridge on.
- Press  five times to display .
- Press  or  to change between the two brightness levels.
- After 5 to 6 seconds of inactivity, the display will flash and return to displaying the current cabinet temperature.

6.10 Displaying supply voltage

Your ARB fridge can display the voltage being supplied to your fridge.

To display the supply voltage:






- Open lid and turn fridge on.
- Press  to display supply voltage.

When connected to DC power, the supply voltage will be shown
When connected to AC power, 'AC' will be displayed






6.11 Electronic lock

Your ARB fridge can be locked to prevent access to the cooling compartment and changes to the control panel settings. This lock is controlled by the control panel on the front of the fridge. When the fridge is new, the lock is turned off and must be activated before use.



6.11.1 To activate electronic lock

- Open lid and turn fridge on.
- Press and hold  for 3-5 seconds.
- Enter Code. Unless otherwise changed, the default code is 
- Press  or  to select 
- After 3-5 seconds of inactivity, the display will flash 3 times and return to displaying current cabinet temperature.

6.11.2 To deactivate electronic lock

- Open lid and turn fridge on.
- Press and hold  for 3-5 seconds.
- Enter Code. Unless otherwise changed, the default code is 
- Press  or  to select 
- After 3-5 seconds of inactivity, the display will flash 3 times and return to displaying current cabinet temperature

6.11.3 To lock fridge

- Turn fridge on and close lid.
- Press  to lock fridge.
-  will flash 3 times as fridge is locked. There will be a single dot visible on the top left hand (LH) corner of the display indicating that the fridge is locked as shown in Figure 10.


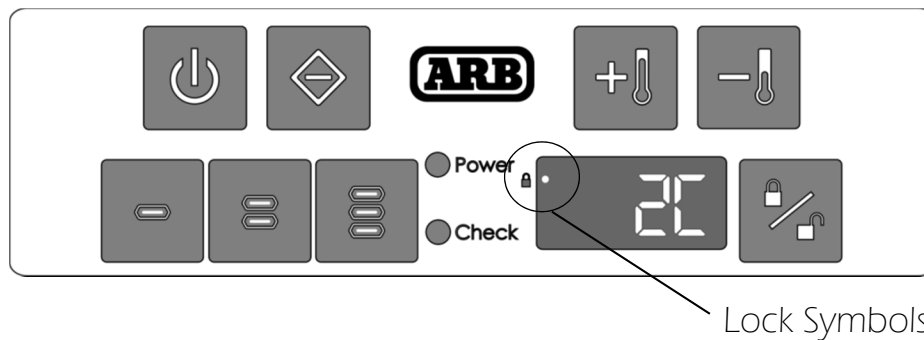
NOTE: *If the electronic lock is not activated,  will display.
If the lid is not closed, the fridge will not lock.*

Figure 10.



6.11.4 To unlock fridge

- Press to unlock fridge.
- Enter 4 digit using control panel.
- will flash 3 times as the fridge is unlocked.

NOTE: If the incorrect code is entered, will display.

If the electric lock is turned off, will display.

6.11.5 To change access code

- Open lid and turn fridge on.
- Press and hold for 3 seconds.
- Enter 4 digit code. The default code is .
- Press or to select .
- Wait until is displayed.
- Enter new 4 digit code - eg . Note single dot on top LH corner to indicate 1st entry.
- will be displayed again.
- Re-enter new 4 digit code - eg . Note two dots on top LH corner to indicate 2nd entry.

NOTE: If new codes are not the same then will display and user will be prompted to re-enter new codes.

6.12 Using the battery monitor

Your ARB Fridge is fitted with a battery monitor to control the level of discharge of your battery. The battery monitor has three settings; HIGH, MEDIUM and LOW. When set to HIGH, the battery monitor will provide maximum protection for the battery against excessive discharging. When set to LOW, the battery monitor will allow maximum use of the energy stored in the battery. Table 1 shows the voltage cutout levels for the three battery monitor settings.

If your fridge can operate without the vehicle ignition being on, the battery monitor will cause the unit to switch off as soon as the supply voltage falls below the set level. The fridge will automatically restart once the restart voltage is reached.

NOTE - When the battery monitor is active, the cooling unit (including compressor) will not run. The power LED on the control panel will be OFF and the check LED will flash RED. The cooling unit will not restart until the voltage level of the battery reaches the restart voltage listed in Table 1.

Table 1




	BATTERY MONITOR MODE		
	LOW	MED	HIGH
Switch off voltage – 12V DC	10.1V	11.4V	11.8V
Restart voltage – 12V DC	11.1V	12.2V	12.6V
Switch off voltage – 24V DC	21.5V	24.1V	24.6V
Restart voltage – 24V DC	23.0V	25.3V	26.2V

If your fridge is connected to the starting battery on a 12/24V DC system, ARB recommends that the battery monitor level be set to HIGH/MEDIUM.

If your fridge is connected to an auxiliary battery on a 12/24V DC system, ARB recommends that the battery monitor level be set to LOW.

NOTE - ARB recommends that the battery be charged once the battery monitor has been triggered. ARB also recommends that all non-essential electrical equipment that draws power from the same source as the fridge be turned off until the battery is fully charged.

To change the battery protection level:

- Open lid and turn the fridge on.
- Press  three times to display current battery protection setting.
- Press  or  to change the battery protection voltage between High (HI), Medium (nEd) and Low (Lo).
- After 5 to 6 seconds of inactivity, the display will flash and return to displaying the current cabinet temperature.



6.13 Making use of the basket

Your ARB Fridge is supplied with a reversible wire basket that helps to protect the internal walls of the fridge cabinet. The basket can be installed with the high side of the basket against the front of the fridge as shown in Figure 11a. This allows long items to be laid across the top section of the fridge cabinet. The basket can also be repositioned so that the high side of the basket is in the centre of the cabinet as shown in Figure 11b. This provides a full height divider between the primary and secondary cooling zones.

Figure 11a

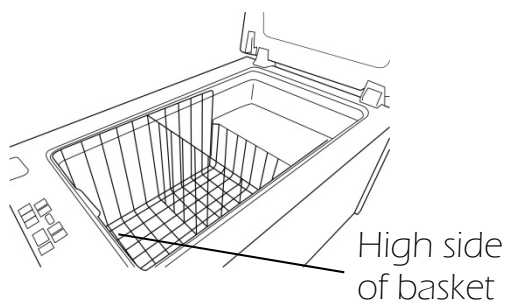
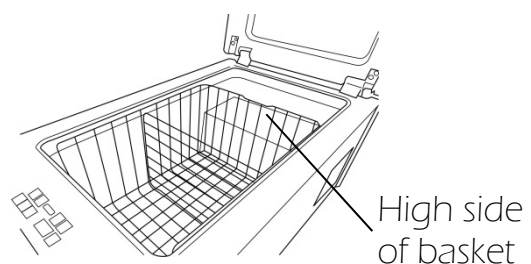


Figure 11b



To remove the basket from the cabinet:

- Lift the basket vertically out of the fridge cabinet. Some models have a fixed basket. To remove such baskets, remove the fastener and replace when basket is repositioned.

To reinstall the basket into the cabinet:

- Slide the basket down into the cabinet of the fridge. The basket is correctly positioned when its base is in contact with the base of the fridge cabinet.
- Fix basket if required using original fastener.

6.14 Basket divider

Your ARB Fridge is supplied with a removable basket divider which can be easily removed by lifting it vertically from the basket. When refitted, it is important that the basket divider is located between the ribs on the sides of the wire basket. For models with a fixed divider, the divider must not be detached from the basket.

6.15 Drain plug

Your ARB Fridge has a removable drain plug in the base of the cabinet as shown in Figure 12. The drain plug can be removed to drain liquid from the cabinet of the fridge.

Figure 12



To remove the drain plug:

- Open the lid of the fridge.
- Grip the drain plug with your fingers.
- Gently lift the drain plug away from the base of the cabinet.

To refit the drain plug:

- Open the lid of the fridge.
- Locate the tip of the drain plug in the drain.
- Apply gentle pressure to the drain plug so that it slides into the drain. The drain plug is correctly located when the lip of the drain plug makes full contact with the base of the cabinet.

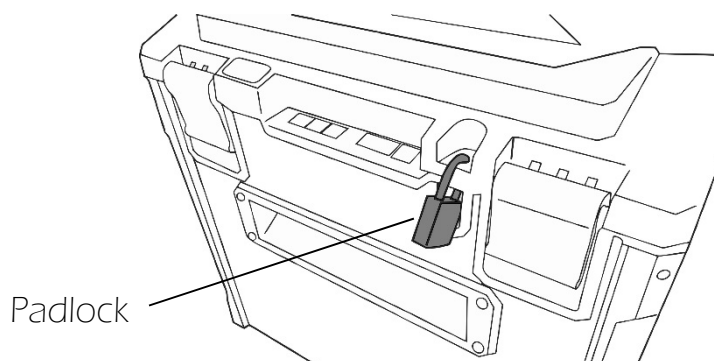
NOTE - It is important the drain plug is refitted before operation of fridge

6.16 Locking fridge with padlock

Your ARB fridge can be locked with a padlock to prevent access to the cooling compartment and changes to the control panel settings.

To lock the fridge, install a padlock between the lid and the cabinet as shown in Figure 13.

Figure 13.



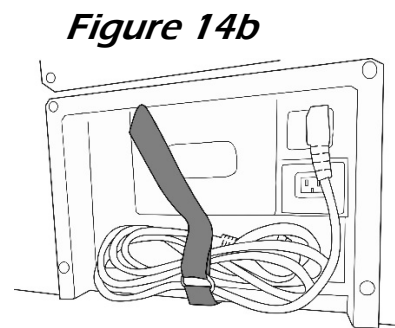
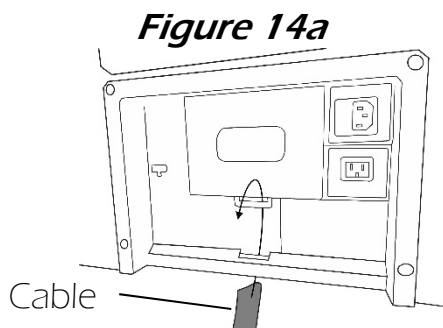
6.17 Cable Strap

Your ARB fridge is supplied with a woven strap that can be used to retain the power cables when they are not in use.

To install the strap:

1. Starting from the bottom, feed the free end of the strap through both strap points on the back of the fridge as shown in Figure 14a.
2. Bundle cable and place between the strap points.
3. Pass free end of the strap over cable and through eyelet. Tighten strap and secure to itself as shown in Figure 14b.

NOTE: When not in use, the strap can be tightened and stored in position on the back of the fridge.



6.18 Energy saving advice

To help you achieve the optimum performance from your fridge, ARB makes the following recommendations.

- Place the fridge in a well ventilated area which is protected from direct sunlight.
- Try to minimise the frequency with which the fridge is opened.
- Do not leave the lid open for longer than necessary.
- Avoid setting the target temperature unnecessarily low.
- Defrost the fridge once ice starts to form.

6.19 Defrosting your fridge

From time to time, ice may form on the inside of your ARB Fridge. This can reduce both its internal capacity and its thermal efficiency. ARB recommends that you defrost your fridge on a regular basis.

To defrost your ARB Fridge:

- Remove the contents of the fridge.
- Turn the fridge off.
- Open the lid so that the ambient temperature air will cause the ice to melt.
- Remove the drain plug and allow any water to drain from the cabinet.
- Wipe the cabinet with a soft cloth to remove any remaining water.

WARNING: Never use hard or pointed objects to defrost the fridge or to loosen objects that have become frozen in place.

6.20 Replacing the plug fuse (12/24V)

Your fridge is equipped with a fuse that is located in the 12/24V DC plug.

CAUTION – Disconnect the fridge from all power sources before replacing the plug fuse.

To replace the plug fuse:

- Separate and remove the top housing from the body of the plug by unscrewing as shown in Figure 15a.
- Replace the defective fuse with a new fuse that has the same rating. The correct rating for the fuse is 3AG 10 Amp. Refer to Figure 15b.
- Reassemble the plug by reversing the steps listed above.

Figure 15a

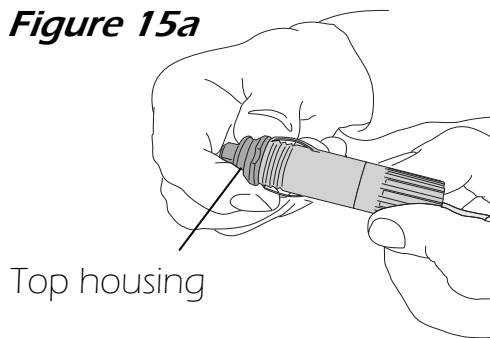
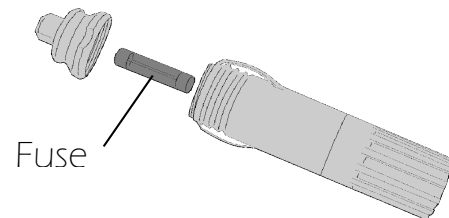


Figure 15b



6.21 Replacing the cabinet fuse

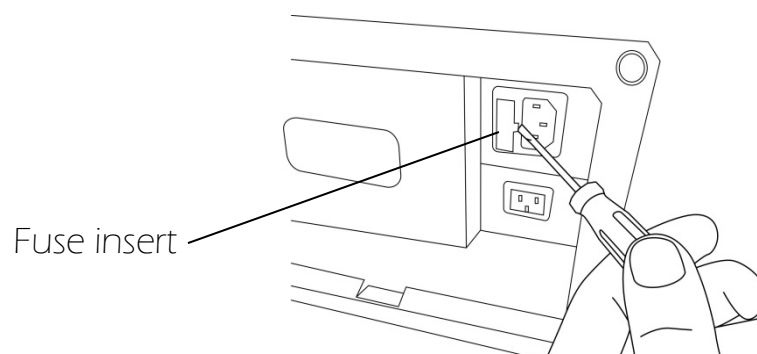
Your fridge is equipped with a fuse that is located in the rear of the cabinet.

CAUTION – Disconnect the fridge from all power sources before replacing the cabinet fuse.

To replace the cabinet fuse:

- Remove the AC and DC power leads from the power sockets.
- Remove the fuse insert from the rear panel of the fridge as shown in Figure 16. A small flat blade screwdriver may be required to help pry the insert away from its housing.
- Replace the defective fuse with a new fuse that has the same rating. The correct rating for the fuse is 4A, specified as: F4L250V.
- Replace the fuse insert back into its housing.

Figure 16a



6.22 Storing your fridge

If you are storing your fridge for an extended period of time, ARB makes the following recommendations.

- Switch the fridge off and disconnect it from all sources of power.
- Remove all items except the basket and basket divider from within the cabinet.
- Leave the lid slightly open to allow airflow through the cabinet.

HINT – To ensure lid remains open, lift lid and place latches on top of cabinet before gently lowering lid onto them. For additional ventilation, remove drain plug.

7 CLEANING AND MAINTENANCE

To clean the inside or outside of the fridge, use a damp cloth and warm water containing a mild non-abrasive household detergent. Stainless steel surfaces can be cleaned with a good quality stainless steel cleaner. Minor scratches and marks can be removed from the stainless steel using a good quality stainless steel metal polish.

If your fridge operates in dusty conditions, ARB recommends that you clean the outside surfaces on a regular basis to prevent the buildup of dirt and grit. In particular, ARB recommends that you routinely clean around the hinge mechanisms and the motor surround. To clean around the motor surround, place the fridge in a well ventilated area and use a vacuum cleaner or a gentle stream of compressed air.

WARNING - Under no circumstances is the motor surround to be removed.

Please take note of the following points before cleaning your fridge.

- Always turn off power and remove the plugs from the fridge before cleaning or servicing the unit.
- Never use hard objects or abrasive cleaning agents to clean the fridge.
- Do not use brushes, scouring pads or hard or pointed tools to defrost the fridge.
- Do not clean the fridge under running water or with a high pressure washer.

8 DISPOSAL

Please place the packaging material in the appropriate recycling waste bins where possible.

If you wish to finally dispose of your fridge, ask your local recycling center or authorised ARB Fridge dealer for details about how to do this in accordance with the applicable disposal regulation.

9 TECHNICAL DATA

Overall capacity – Litre (quarts)	60 (63)
Type	10800050
Category	1
Annual Energy Consumption (KWh/annum)	90
Climate Class	N,T
Energy Efficiency Index (EEL)	A+
Connection voltage (except North America)	12/24 V DC and 100-240 V AC
Connection voltage North America	12/24 V DC and 120V AC ~ 60Hz
Rated current	
- 12V DC	6.8 A
- 24V DC	3.4 A
- 100-240 VAC	1.0 – 0.5 A
- 120 VAC	1.0 A
Cooling Capacity	+ 10 °C to -18 °C (+50 °F to 0 °F)
Ambient Temperature	+16°C to +43°C (+70 °F to +109°F)
Weight – Nett - Kg (lb)	32 (70)
Noise (dbA)	50
Refrigerant - R134a – g (oz)	58 (2.0)
External Dimensions – mm (in) – Figure 17a	
- H1	435 (17.3)
- W1	490 (19.3)
- D1	820 (32.3)
Internal Dimensions – mm (in) – Figure 17b	
- H2	332 (13.1)
- H3	144 (5.7)
- W2	355 (14.0)
- D2	477 (18.8)
- D3	633 (24.9)

Note: The maximum cooling capacity is 50°C (122°F) below ambient temperature. If the ambient temperature is above 32° (90°F) the minimum temperature cannot be achieved.

Figure 17a

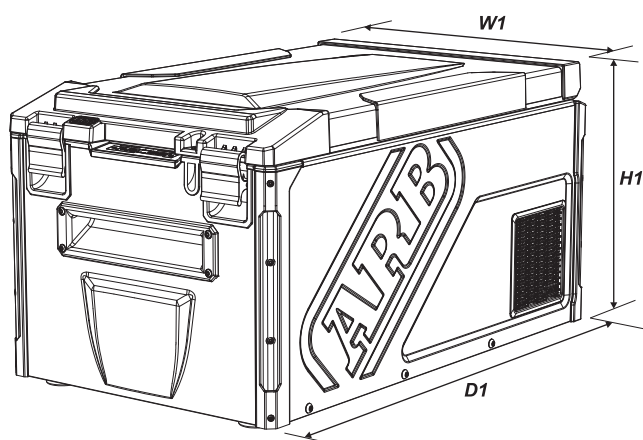
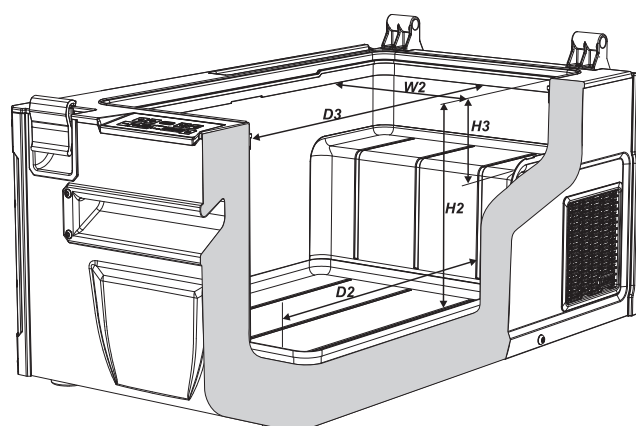


Figure 17b



This device is CFC-free. The coolant circuit contains R134a. Removal or recharge of refrigerant should only be done by an authorised refrigeration mechanic.

10 WARRANTY

ARB warrants the ARB Products against defects in workmanship and materials for the Warranty Period. If defective workmanship or materials become apparent in the Warranty Period, ARB will replace or repair the defective Product.

The benefits to the customer given by this warranty are in addition to other rights and remedies of the customer under a law in relation to the goods or services to which the warranty relates.

1) In this warranty:

- **ARB** means ARB Corporation Limited (ABN 31 006 708 756) of 42-44 Garden St, Kilsyth Victoria 3137
- **ARB Outlet** means an outlet which has been authorised by ARB to sell and fit ARB Products
- **ARB Product** means products which ARB manufactures or for which ARB is the exclusive supplier
- **Product Information** means the information about the relevant ARB Product which may be contained in any of: documentation provided with the ARB Products, owner's manual, operating manual, service manual of the manufacturer's manual or labels attached to the ARB Product
- **Warranty Period** means, in respect of an ARB Product, means the period that this warranty against defects applies and which is set out in the tables in paragraph 8.

2) To be entitled to claim the warranty, the customer must:

- a) have the ARB Product fitted in accordance with the Product Information
- b) carry out normal care and maintenance of the ARB Product, including any required by the Product Information
- c) provide proof of purchase of the ARB Product
- d) make the claim in the Warranty Period

2) The warranty will not apply in circumstances where the defect is caused by:

- a) unusual, improper or negligent use or misuse of the ARB Product
- b) incorrect fitting of the ARB Product other than at an ARB Outlet
- c) loading the ARB Product with weights in excess of Product Information
- d) use of non-genuine ARB components in or with the ARB Product
- e) use on vehicles with modifications not approved in the Product Information or at an ARB Outlet at the time of fitting
- f) caused by racing or competition use
- g) use of the ARB Product outside of the requirements of the Product Information

3) The procedure for the customer to claim the warranty is:

- a) Return the ARB Product to the nearest ARB Outlet of contact ARB to arrange a time to bring a vehicle fitted with the ARB Product to an ARB Outlet for inspection. Contact details are in paragraph 7 below if further information is required regarding local outlet details
- b) bring proof of purchase of the ARB Product to the ARB Outlet
- c) ARB will review the ARB Product and advise whether the conditions of the warranty have been met

4) Where ARB accepts a customer's warranty claim, ARB will rectify any defective workmanship or materials at its own expense.

5) Expenses incurred by the customer in claiming the warranty are to be borne by the customer.

6) This warranty is given by: ARB Corporation Limited
42-44 Garden Street Kilsyth VIC 3137, Australia
Phone: 03 9761 6622
Fax: 03 9721 9090
www.arb.com.au

7) The period within which a defect in the ARB Products must appear if the customer is to be entitled to claim the warranty is 3 years starting on the date of purchase unless:

- a) The ARB Product is used in Commercial use. Commercial use means use in industry or commerce including (without limitation) use in the mining industry or as a hire vehicle. In this case, the Warranty Period is the less of 1 year or 20,000 km, or one third of the period or distance specified in the table, starting on the date of purchase.

8) The warranty against defects contained in this document replaces any other warranty against defects or voluntary warranty given in relation the Products.

Our goods come with guarantees that cannot be excluded under the Australian Customer Law. You are entitled to a replacement or refund for a major failure and compensation for any other reasonable foreseeable loss or damage. You are also entitled to have the goods repaired or replaced if the goods fail to be of acceptable quality and the failure does not amount to a major failure.

11 TROUBLESHOOTING

The following checklist will help to identify the source of the problem with your fridge. If after carrying out this checklist you are still unsure of the cause of the fault, please contact your nearest ARB Fridge Service Agent.

1. The fridge has stopped operating. The power LED does not glow.

1.1 The power lead connections could be loose or dirty at the fridge or power supply end.

- Check that the fridge power lead connections have not become loose or disconnected.
- Check that the electrical contacts have not become dirty and are preventing full voltage flow to the fridge.

1.2 The fuse in the 12/24V DC cable plug may have blown.

- Check the 12/24V DC cable plug fuse and replace if necessary. Refer to section 6.20.

1.3 The cabinet fuse may have blown.

- Check the cabinet fuse and replace if necessary. Refer to section 6.21.

2. The fridge compressor has stopped operating. The power LED is ORANGE.

2.1 The fridge has reached the desired target cabinet temperature.

- The fridge is operating correctly. No action is required.

3. The fridge has stopped operating. The power LED is OFF and the RED check LED is flashing.

3.1 The internal battery protection system has caused the fridge to switch off because the battery voltage is low.

- The fridge will automatically restart once the restart voltage is reached. Refer to section 6.12 for switch off and restart voltages.

4. The fridge does not cool or has stopped operating. The power LED is green.

4.1 There may be an internal fault within the fridge.

- This can only be repaired by an authorised ARB Fridge Service Agent.

5. The control panel displays an error message (eg "ERR1", "ERR2" or "ERR3") and the fridge does not cool.

5.1 The fridge may have switched off due to an internal fault.

- This can only be repaired by an authorised ARB Fridge Service Agent.

6. When connected to a vehicle wiring circuit with the vehicle running, the fridge occasionally shudders or stops operating.

6.1 It is likely that there is loss of voltage occurring within your vehicle wiring.

- This can be confirmed by taking a voltage reading at the end of the power lead for the fridge while the fridge is running. If the reading is below 11.8 volts (12VDC) or 24.1 volts (24VDC), you should have the wiring system checked.
- If necessary, upgrade your fridge wiring circuit using the information in section 6.4.4 as a guide.

7. The fridge stops and starts or runs erratically

7.1 The internal battery protection system may be causing the fridge to switch off because the battery voltage is low.

- Check whether the voltage supply at the fridge plug has dropped below the shutdown voltage listed in section 6.12. The voltage must be read at the fridge plug as there is normally at least one to two volts lost between the power source (battery) and the fridge plug.
- The vehicle battery may need replacement or the wiring to the fridge may need to be upgraded. Refer to section 6.4.4 for details on wiring requirements.

8. The fridge is running too long and is not cooling properly.

8.1 Good fridge performance, especially in hot ambient temperatures, is dependent on good air flow around the fridge cooling slots.

- Check that all ventilation slots are unobstructed and there is enough clearance for good airflow around the fridge. Refer to section 5.1 for details.

9. When the fridge lid is open, the LED cabinet light does not come on.

9.1 The fridge may not be connected to a suitable power supply.

- Check the connection between the power source and the fridge.

9.2 The fridge may not be turned on at the control panel.

- Turn fridge on at control panel.

Bitte lesen Sie diese Bedienungs- und Wartungsanleitung sorgfältig durch, bevor Sie die ARB Kühlbox zum ersten Mal einschalten. Diese Anleitung sollten Sie mit einer Kopie Ihres Kaufbelegs an einem sicheren Ort aufbewahren.

INHALT

1	EINFÜHRUNG	29
2	LIEFERUMFANG	29
3	SICHERHEITSANWEISUNGEN	30
3.1	Allgemeine Sicherheitshinweise	30
3.2	Sicherer Betrieb der Kühlbox	30
4	EINWEISUNG IN DIE ARB KÜHLBOX	31
5	INSTALLATION	32
5.1	Allgemeine Installationshinweise	32
5.2	Fahrzeuginstallation	33
5.2.1	Festmontage	33
5.2.2	Provisorische Montage	34
6	BETRIEB	35
6.1	Vor der Verwendung	35
6.2	Trageweise	35
6.3	Öffnen der Kühlbox	35
6.4	Anschließen der Kühlbox	36
6.4.1	Anschluss an 100–240 VAC	36
6.4.2	Anschluss an einen motorgetriebenen Generator	36
6.4.3	Anschluss an 12/24 VDC	37
6.4.4	Verdrahtungsanforderungen 12/24 VDC	37
6.4.5	12/24-Volt-DC-Steckdose	38
6.5	Ein- und Ausschalten der Kühlbox	39
6.6	Einstellen der Solltemperatur des Kühlfachs	39
6.7	Wechsel zwischen °C und °F	39
6.8	Ändern des Übertragungskanals	40
6.9	Ändern der Helligkeit des Bedienfeldes	40
6.10	Anzeigen der Versorgungsspannung	40
6.11	Elektronische Verriegelung	41
6.11.1	So aktivieren Sie die elektronische Verriegelung:	41
6.11.2	So deaktivieren Sie die elektronische Verriegelung:	41
6.11.3	So verriegeln Sie die Kühlbox:	41
6.11.4	So entriegeln Sie die Kühlbox:	42
6.11.5	So ändern Sie den Zugangscode:	42
6.12	Umgang mit dem Batteriewächter	43
6.13	Gebrauch des Korbs	44
6.14	Korbteiler	45
6.15	Ablasstopfen	45
6.16	Abschließen der Kühlbox mit Vorhängeschloss	45
6.17	Kabelriemen	46
6.18	Energiesparhinweise	46
6.19	Abtauen der Kühlbox	46
6.20	Auswechseln der Steckersicherung (12/24 V)	47
6.21	Auswechseln der Kühlfachsicherung	47
6.22	Aufbewahrung der Kühlbox	48
7	REINIGUNG UND WARTUNG	48
8	ENTSORGUNG	48
9	TECHNISCHE DATEN	49
10	GARANTIE	50
11	FEHLERBEHEBUNG	51

1 EINFÜHRUNG

Wir beglückwünschen Sie zum Kauf Ihrer ARB Kühlbox. Das Gerät wurde speziell für den harten Einsatz im Gelände entwickelt und ist hauptsächlich zum Kühlen von Nahrungsmitteln und Getränken vorgesehen. Bei Bedarf kann es auch als Gefriertruhe verwendet werden. Durch die Befolgung der Anweisungen und Empfehlungen in diesem Dokument stellen Sie sicher, dass Sie von der maximalen Leistung und langfristigen Zuverlässigkeit Ihrer neuen Kühlbox profitieren.

Das Gerät ist für den Anschluss an die 12- oder 24-Volt-Gleichspannungsquelle (DC) eines Fahrzeugs, Boots oder Wohnwagens vorgesehen. Mit dem eingebauten Spannungswandler kann es auch über eine 100- bis 240-Volt-Wechselspannungsquelle (AC) betrieben werden.

VORSICHT – Wenn Sie Medikamente kühlen möchten, müssen Sie sich erst vergewissern, ob die Kühlleistung der Kühlbox dazu ausreicht.

2 LIEFERUMFANG

Die ARB Kühlbox wird mit nachstehend aufgeführten Artikeln geliefert. Sollte einer dieser Artikel nicht mitgeliefert worden sein, wenden Sie sich an Ihren lokalen ARB Händler.

<i>ARTIKEL</i>	<i>MENGE</i>
<i>ARB Kühlbox</i>	<i>1</i>
<i>Korb, doppelseitig</i>	<i>1</i>
<i>Korbteiler</i>	<i>1</i>
<i>12/24-Volt-DC-Kabel</i>	<i>1</i>
<i>100/240-Volt-AC-Kabel</i>	<i>1</i>
<i>Kabelriemen</i>	<i>1</i>
<i>Bedienungs- und Wartungsanleitung</i>	<i>1</i>

3 SICHERHEITSANWEISUNGEN

3.1 Allgemeine Sicherheitshinweise

Für die Sicherheit aller Benutzer Ihrer Kühlbox sollten Sie folgende allgemeine Sicherheitstipps beachten:

- Achten Sie bei der Spannungsversorgung stets auf die richtige Spannung und Polarität.
- Schließen Sie die Kühlbox niemals an ein Akkuladegerät, einen AC/DC-Wandler oder einen Gleichrichter an.
- Bevor Sie die Kühlbox an ein Schnellladegerät anschließen, trennen Sie sie von der Batterie.
- Verwenden Sie zum Reinigen oder Abtauen der Kühlbox keine scharfen, abrasiven oder korrosiven Stoffe.
- Kinder müssen während des Betriebs der Kühlbox beaufsichtigt werden.
- Dieses Haushaltsgerät kann von Kindern ab 8 Jahren sowie Personen mit eingeschränkten körperlichen, sensorischen oder geistigen Fähigkeiten oder Mangel an Erfahrung und Kenntnissen benutzt werden, sofern sie entsprechend beaufsichtigt oder eingewiesen werden, damit sie das Gerät auf sichere Weise handhaben und die damit verbundenen Gefahren verstehen. Kinder dürfen nicht mit dem Gerät spielen. Reinigung und benutzerseitige Wartung durch Kinder sind nur unter Aufsicht erlaubt.
- Ist das Netzkabel beschädigt, so muss es vor der Benutzung der Kühlbox ersetzt werden.
- Vor der Reinigung oder Wartung ist die Kühlbox von jeder Stromversorgung zu trennen.
- Lagern Sie keine entzündlichen Flüssigkeiten oder Gase in oder neben der Kühlbox.
- Sie dürfen den Kältemittelkreislauf nicht öffnen oder daran hantieren.
- Sie dürfen keines der elektrischen Bauteile entfernen oder verändern.
- Sie dürfen keine ätzenden oder lösemittelhaltigen Stoffe in der Kühlbox lagern oder transportieren.
- Benutzen Sie die Kühlbox nicht, wenn sie sichtbar beschädigt ist.
- Die Kühlbox darf nur von einem zugelassenen ARB Kühlbox-Kundendienst gewartet werden.
- Lagern Sie in diesem Gerät keine explosiven Substanzen, wie z. B. Sprühdosen mit entzündlichen Treibmitteln.
- Dieses Gerät ist für den Haushalt und ähnliche Verwendungsbereiche vorgesehen, wie z. B.:
 - Personalküchen in Werkstätten, Büros und anderen Arbeitsumgebungen
 - Landhäuser und Kundenbereiche in Hotels, Motels und anderen Unterkünften
 - Bed & Breakfast und ähnliche Unterkünfte
 - Catering- und ähnliche Anwendungen (außer Einzelhandel)

3.2 Sicherer Betrieb der Kühlbox

Für den sicheren Betrieb Ihrer Kühlbox sollten Sie folgende Sicherheitstipps beachten:

- Sorgen Sie stets für ausreichende Belüftung um die Kühlbox herum, um einer Überhitzung vorzubeugen. Einzelheiten hierzu finden Sie in Abschnitt 5.1.
- Berühren Sie nicht die innere Metallhülle der Kühlbox mit nassen Händen.
- Stellen Sie die Kühlbox nicht in die Nähe einer offenen Flamme oder anderen Wärmequelle (Heizung, Lagerfeuer, Gasofen usw.).
- Füllen Sie kein Eis oder Flüssigkeiten in die Kühlbox ein.
- Legen Sie keine Elektrogeräte in die Kühlbox.
- Benutzen Sie die Kühlbox nicht, wenn Sie annehmen, dass die Elektrik mit Wasser in Berührung gekommen ist.
- Benutzen Sie die Kühlbox nicht, wenn sie in Wasser eingetaucht wurde.

4 EINWEISUNG IN DIE ARB KÜHLBOX

Die Hauptkomponenten der ARB Kühlbox sind unten in Abbildung 1 bis 4 aufgeführt.

Abbildung 1 – Gerätevorderseite

Abbildung 2 – Geräterückseite

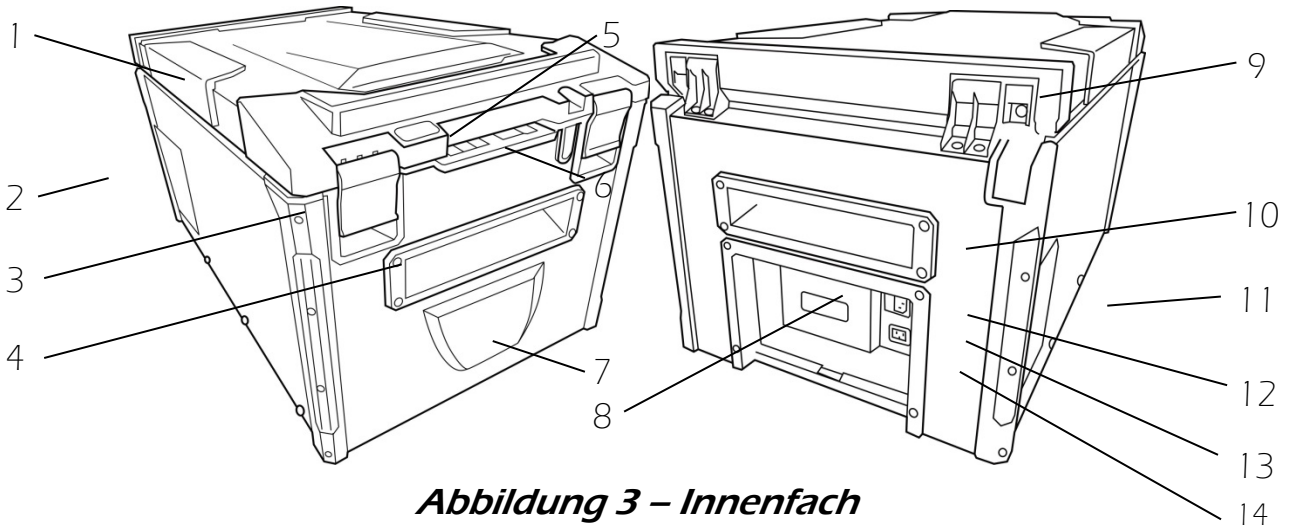
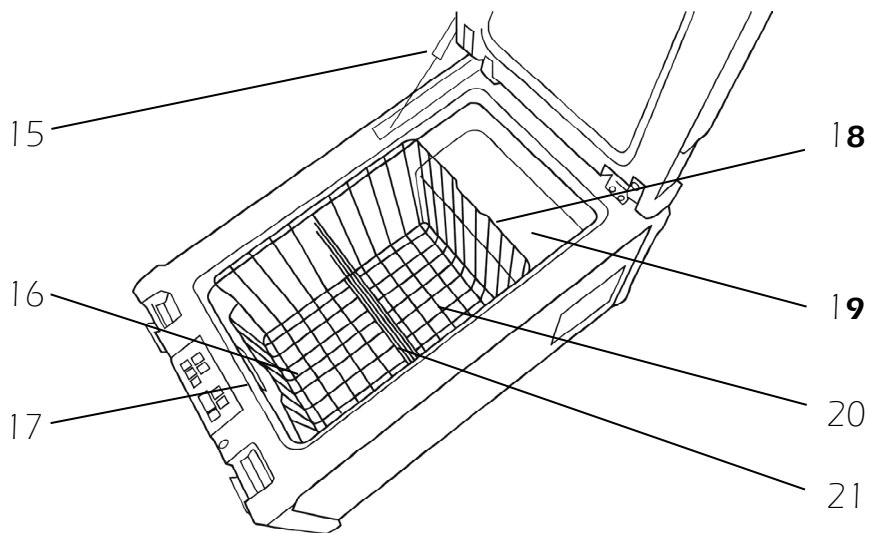
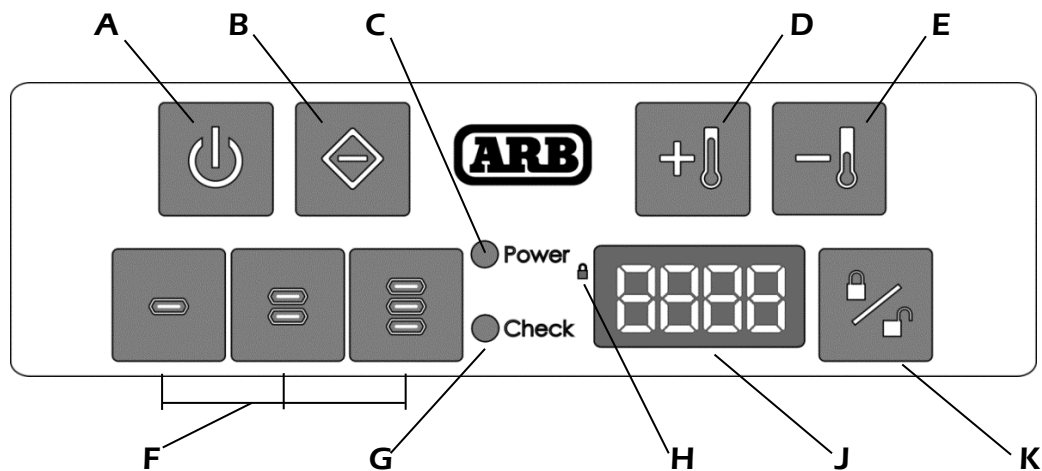


Abbildung 3 – Innenfach



- | | |
|------------------------------|----------------------------------|
| 1. Deckel | 12. 100/240-Volt-AC-Steckdose |
| 2. Linker Kühllufteinlass | 13. 12/24-Volt-DC-Steckdose |
| 3. Deckelverschluss (2 x) | 14. Prüfzeichen und Seriennummer |
| 4. Vorderer Tragegriff | 15. Gasdruckfeder |
| 5. Bedienfeld | 16. Ablassstopfen |
| 6. Platz für Vorhängeschloss | 17. LED-Innenleuchte |
| 7. GummifüÙe (4 x) | 18. Korb, doppelseitig |
| 8. Buchse für Funksender | 19. Nebenkühlfach |
| 9. Scharnier (2 x) | 20. Hauptkühlfach |
| 10. Hinterer Tragegriff | 21. Korbteiler |
| 11. Rechter Kühllufteinlass | |

Abbildung 4 – Bedienfeld

- | | |
|-------------------------------------|--|
| A. Ein/Aus-Taste | F. Tastatur für elektronische Verriegelung |
| B. Funktionstaste | G. Funktionskontroll-LED |
| C. Stromanzeige-LED | H. Verriegelungssymbol |
| D. Taste „Wärmer“ (Wert erhöhen) | J. Display |
| E. Taste „Kälter“ (Wert verringern) | K. Taste „Verriegeln/Entriegeln“ |

* Die Strom-LED leuchtet Grün, wenn der Kompressor läuft. Die Strom-LED leuchtet Orange, wenn der Kompressor nicht läuft (z. B. wenn die Kühlbox die eingestellte Temperatur erreicht hat).

5 INSTALLATION

5.1 Allgemeine Installationshinweise

Bei der Platzwahl für die Installation der ARB Kühlbox sind folgende Punkte zu berücksichtigen:

- Die Kühlbox braucht ringsum einen Freiraum von mindestens 50 mm.
- Die Kühlbox muss sowohl bei dauerhaften als auch bei vorübergehenden Installationen sicher verankert werden.
- Die ideale Stellfläche für die Kühlbox ist eine flache, horizontale Oberfläche. Die Kühlbox verträgt seitliche Schräglagen (z. B. auf einem Boot) von bis zu 30°.
- Stellen Sie die Kühlbox nicht in die Nähe scharfer oder heißer Gegenstände.
- Stellen Sie die Kühlbox nicht in die Nähe loser Gegenstände, die auf die Box fallen und diese beschädigen könnten.
- Betreiben Sie die Kühlbox niemals in der Nähe entzündlicher Flüssigkeiten oder Dämpfe.
- Die Kühlbox sollte grundsätzlich nicht gekippt oder seitlich liegend gelagert werden.

5.2 Fahrzeuginstallation

5.2.1 Festmontage

Die ARB Kühlbox kann mithilfe der vier Gewindeeinsätze an der Unterseite oder mit dem ARB Solid Mounting Kit dauerhaft an einer flachen, stabilen Oberfläche befestigt werden. Wenn Ihre Kühlbox regelmäßig herausgenommen werden soll: siehe Abschnitt 5.2.2 (Provisorische Montage).

Weitere Informationen zum ARB Solid Mounting Kit finden Sie in der Anleitung, die dem Kit beiliegt.

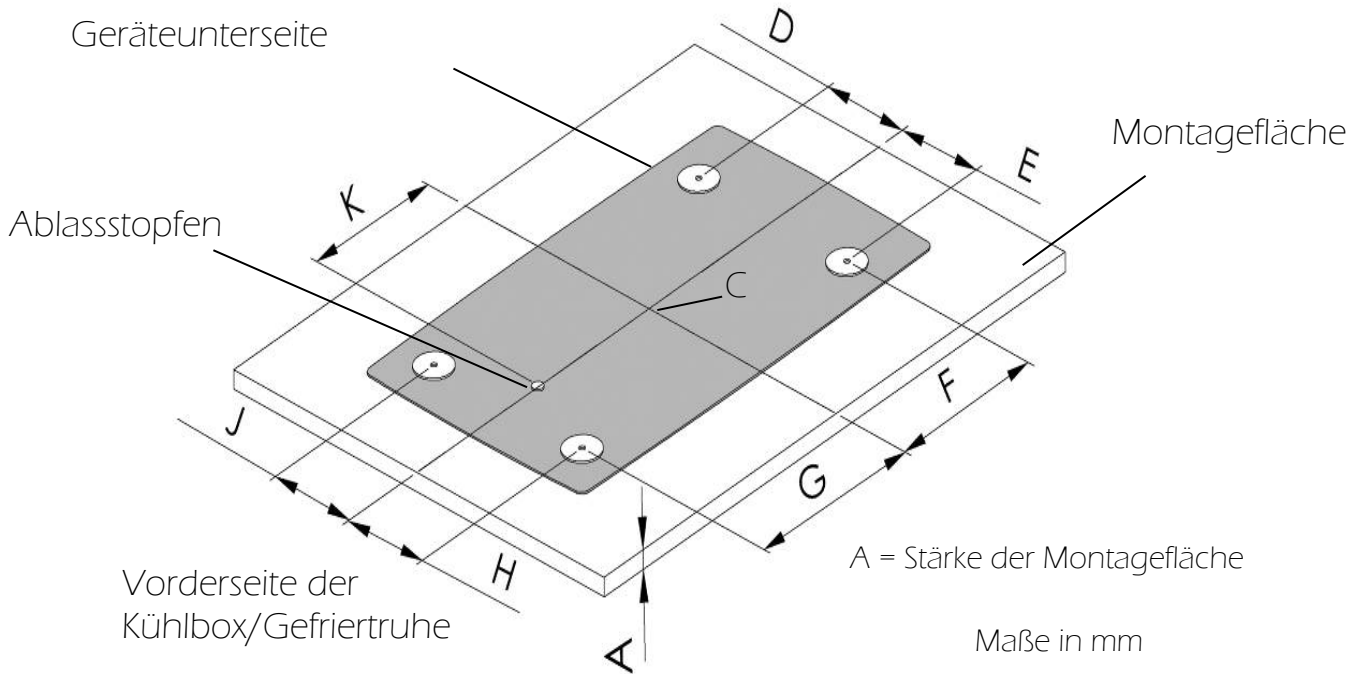
Zur dauerhaften Montage der Kühlbox mithilfe der Gewindeeinsätze an der Geräteunterseite:

- Stellen Sie die Kühlbox an die gewünschte Stelle der Montagefläche und markieren Sie den Umriss der Box.
- Entfernen Sie die Kühlbox und markieren Sie die Mitte des angezeichneten Umrisses. Die Mitte ist in Abbildung 5a als Punkt C dargestellt.
- Nun müssen Sie vier 6,5-mm-Bohrungen in der Montagefläche markieren und bohren (siehe Diagramm in Abbildung 5a zur Orientierung).
- Damit Sie den Ablassstopfen nutzen können, müssen Sie eine 13-mm-Bohrung in der Montagefläche markieren und bohren (siehe Abbildung 5a).
- Entfernen Sie die Schraube M6 aus allen vier Gummifüßen, damit die Gewindeeinsätze frei liegen. Die Gummifüße müssen an der Unterseite des Box bleiben.
- Stellen Sie die Kühlbox auf die Montagefläche, sodass die gebohrten Löcher mit den Gewindeeinsätzen in der Box fluchten.
- Befestigen Sie die Box mit den Schrauben M6 an der Montagefläche (siehe Abbildung 5b). Für die Schrauben M6 gilt ein maximales Anzugsmoment von 3,5 Nm. Es empfiehlt sich, keine dauerhafte Gewindesicherung auf die Schraubgewinde aufzutragen.

HINWEIS:

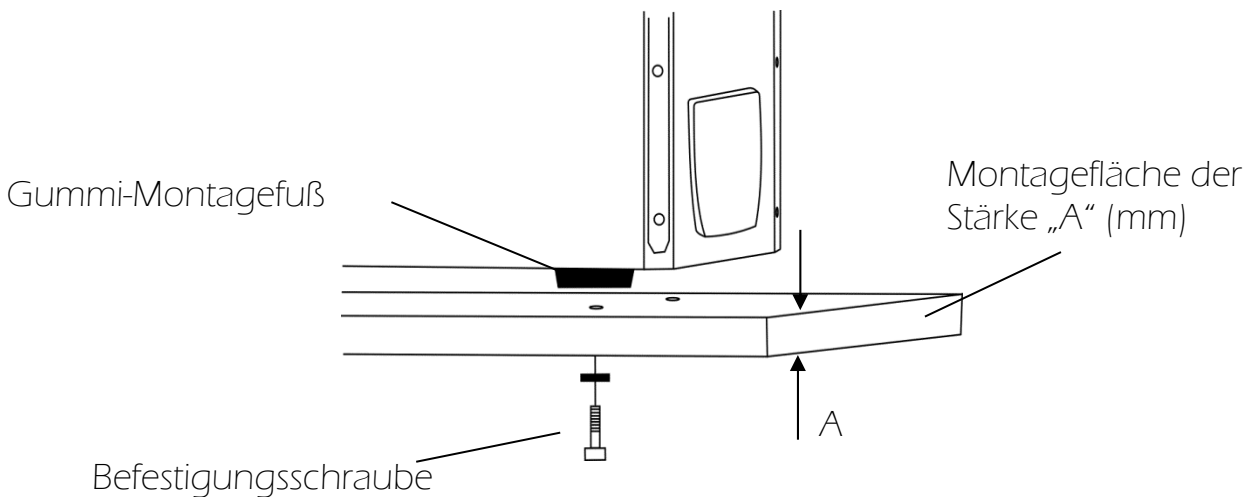
- **Die Gummifüße müssen zwischen die Unterseite der Box und die Montagefläche passen.**
- **Wenn Sie längere Schrauben brauchen, müssen Sie Innensechskant-Deckelschrauben M6 x 1,0 mit hoher Zugfestigkeit und einer Güteklasse von mindestens 8,8 verwenden. Zur Vermeidung einer Beschädigung der Elektrik in der Kühlbox darf die Schraubenlänge nur um die Stärke der Montagefläche (Maß „A“ in Abbildung 5a) plus 8 mm vergrößert werden, um die Aussparung in den Gummifüßen zu berücksichtigen.**
- **Beim Entfernen der Schrauben M6 sollte die Kühlbox möglichst nicht gekippt werden.**

Abbildung 5a



Fassungsvermögen	D	E	F	G	H	J	K
60/63qz (mm/in)	182/7.2	182/7.2	365/14.4	365/14.4	182/7.2	182/7.2	266/10.5

Abbildung 5b



5.2.2 Provisorische Montage

Für die Befestigung der Kühlbox an festen Ankerpunkten ist das ARB Tie Down Kit zu empfehlen. Dieses Kit enthält einen Schnellverschluss, der es ermöglicht, die Kühlbox schnell und einfach aus ihrer Einbaulage zu lösen.

6 BETRIEB

6.1 Vor der Verwendung

Bevor Sie die Kühlbox zum ersten Mal einschalten, empfiehlt es sich, diese von innen und außen mit einem feuchten Lappen zu reinigen. Nähere Einzelheiten zur Pflege finden Sie in Kapitel 7 „Reinigung und Pflege“.

6.2 Trageweise

An beiden Seiten der Kühlbox ist je ein Tragegriff angebracht. Diese Griffe sind zum Anheben und Bewegen der Kühlbox zu verwenden.

WARNUNG – Verwenden Sie NIEMALS die Deckelverschlüsse zum Anheben und Bewegen der Kühlbox.

ACHTUNG – Die Kühlbox muss immer von mindestens zwei Personen mit den richtigen Hebetechiken angehoben werden.

6.3 Öffnen der Kühlbox

Das Gerät ist mit zwei Überschnappriegeln ausgestattet, die für einen positiven Verschluss zwischen Deckel, Box und Deckeldichtung sorgen.

So öffnen Sie den Deckel:

- Greifen Sie von der Vorderseite her mit den Händen unter beide Verschlüsse und ziehen Sie diese zu sich hin.
- Sobald sie nachgeben, hängen Sie die Verschlüsse aus und öffnen Sie den Deckel (siehe Abbildung 6a).

So schließen Sie den Deckel:

- Haken Sie die beiden Verschlüsse in die Anschläge im Deckel ein und drücken Sie sie an das Gehäuse der Kühlbox heran.
- Die Verschlüsse rasten beim Schließen hörbar ein (siehe Abbildung 6b).

Abbildung 6a

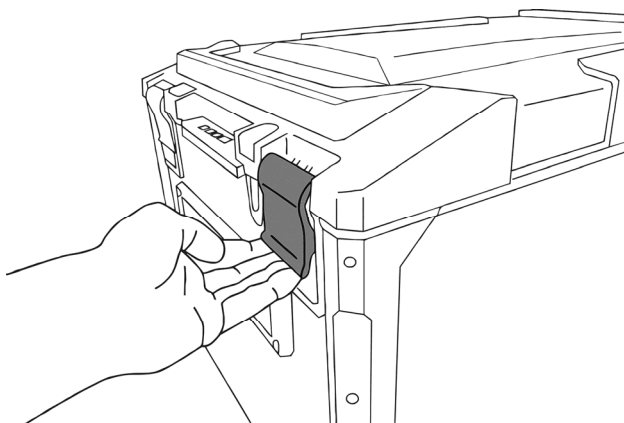
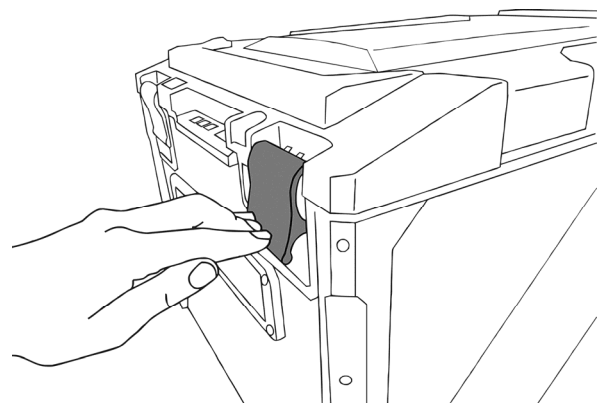


Abbildung 6b



6.4 Anschließen der Kühlbox

6.4.1 Anschluss an 100–240 VAC

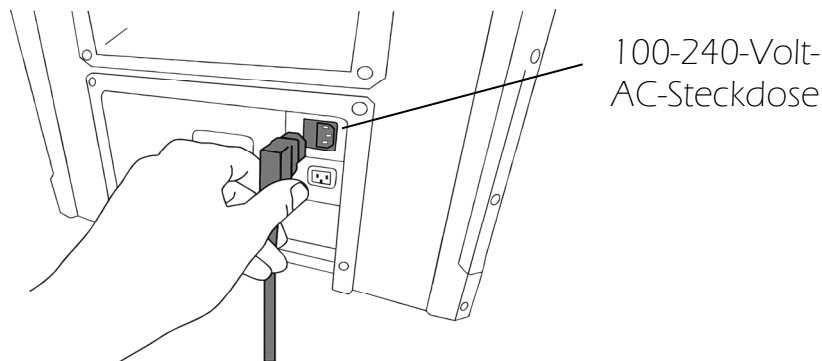
Das Gerät kann mit 100-240-V-Wechselspannung betrieben werden. Die Kühlbox hat eine Vorrangschaltung, die dem Wechselstromnetz Vorrang vor der Gleichspannungsversorgung gibt. Ist die Kühlbox gleichzeitig an Gleich- und Wechselspannung angeschlossen, so wird sie nur über die Wechselspannungsquelle betrieben.

HINWEIS: Die rote LED am Bedienfeld leuchtet ggf. kurz auf, wenn die Versorgungsspannung zwischen AC und DC umgeschaltet wird.

So schließen Sie das Gerät an eine 100-240-VAC-Spannungsquelle an:

- Stecken Sie das 100-240-V-Stromkabel in die AC-Steckdose an der Rückseite der Kühlbox (siehe Abbildung 7).
- Verbinden Sie das freie Ende des Stromkabels mit einer 100-240-VAC-Spannungsquelle.

Abbildung 7



ACHTUNG – Fassen Sie niemals die Stecker, Kabel oder Schalter mit nassen Händen an oder während Sie auf einer nassen Fläche stehen.

ACHTUNG – Bei Betrieb der Kühlbox über eine 100–240-VAC-Spannungsversorgung muss ein Fehlerstromschutzschalter im Stromkreis installiert sein. ARB empfiehlt hierzu, einen qualifizierten Techniker zu Rate zu ziehen.

6.4.2 Anschluss an einen motorgetriebenen Generator

Bevor Sie die Kühlbox an einen motorgetriebenen Generator anschließen, sollten Sie folgende Hinweise beachten:

- Der Generator muss mit einem automatischen Spannungsregler versehen sein. Er muss eine standardmäßige Wechselspannung in reiner Sinuskurve ohne Schwankungen der Spannung oder Frequenz liefern (z. B. 120 VAC~60 Hz oder 240 VAC~50 Hz).
- Bei Verwendung des DC-Ausgangs Ihres Generators muss eine Batterie der richtigen Spannung (12 oder 24 V) zwischen Generator und Kühlbox angeschlossen sein.
- Die Kühlbox muss beim Starten und Anhalten des Generators ausgeschaltet sein.

ACHTUNG – Einige motorgetriebene Generatoren eignen sich nicht für die Versorgung Ihrer Kühlbox.

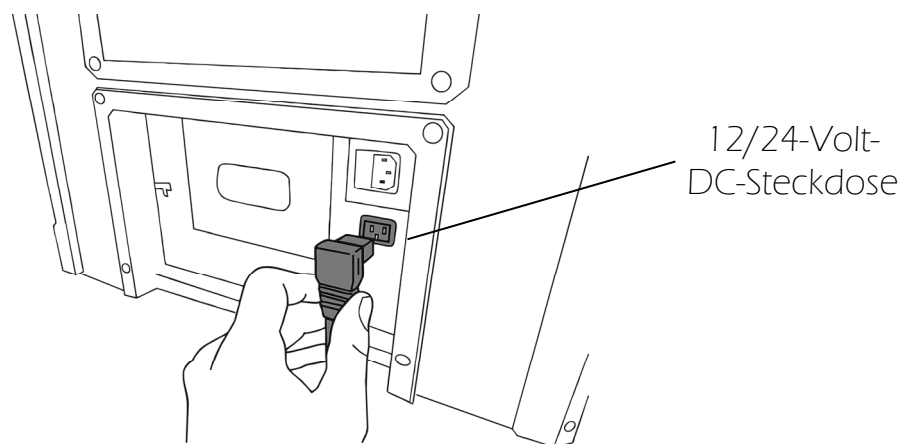
6.4.3 Anschluss an 12/24 VDC

Das Gerät kann wahlweise mit 12 oder 24 V Gleichspannung betrieben werden. Die Kühlbox ist mit einem Steuerkreis versehen, der bei Anschluss des Geräts an eine Batterie eine Polaritätsumkehr verhindert.

So schließen Sie die Kühlbox an eine 12- oder 24-VDC-Stromquelle an:

- Stecken Sie das 12/24-V-Stromkabel in die DC-Steckdose an der Rückseite der Kühlbox (siehe Abbildung 8).
- Verbinden Sie das freie Ende des Stromkabels mit einer abgesicherten 12- oder 24-VDC-Spannungsquelle. Hinweise zur Verdrahtung und Absicherung des DC-Kreises finden Sie in Abschnitt 6.4.4.

Abbildung 8



6.4.4 Verdrahtungsanforderungen 12/24 VDC

Zur Sicherstellung der optimalen Leistung der Kühlbox ist es wichtig, dass Ihre Verdrahtung die erforderliche Last verträgt. Der Zubehörkreis vieler Fahrzeuge ist für diese Aufgabe nicht geeignet.

Für die Versorgung der Kühlbox wird ein getrennt abgesicherter Stromkreis empfohlen. Dieser Stromkreis sollte so kurz wie möglich sein und über eine 15-A-Sicherung direkt an die Stromversorgung angeschlossen werden. Das ARB-DC-Verdrahtungskit enthält alle Materialien für eine solche Schaltung.

Für den Einbau in ein Kfz oder Boot wird der Anschluss des Stromkreises an eine isolierte Stromversorgung, z. B. ein Hilfsbatteriesystem, empfohlen. Dadurch kann ein Entladen der Hauptbatterie (Anlasser) verhindert werden.

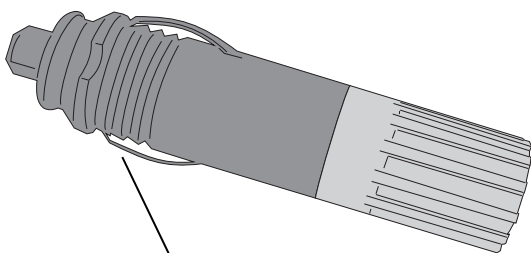
Bei Kabellängen bis 6 m ist ein mindestens 6 mm starkes Kfz-Kabel (4,5 mm² / AWG 11) zu empfehlen.

Bei Kabellängen von mehr als 6 m empfiehlt ARB, sich bei einem qualifizierten Techniker über die richtige Kabelgröße beraten zu lassen.

6.4.5 12/24-Volt-DC-Steckdose

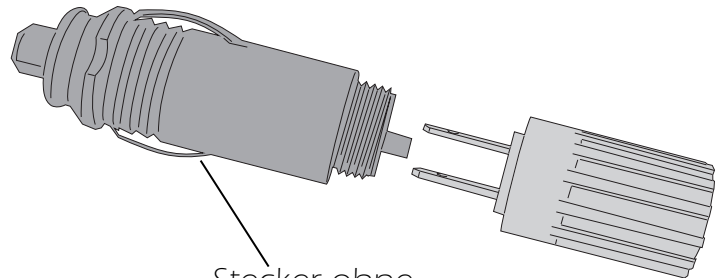
Der Stecker am 12/24-V-DC-Stromkabel hat ein auswechselbares Endstück. Mit aufgesetztem Endstück (siehe Abbildung 9a) passt dieser Stecker in eine herkömmliche Kfz-Zubehörsteckdose (Zigarettenanzünder). Bei abgenommenem Endstück (siehe Abbildung 9b) passt dieser Stecker in eine 2-polige ARB-Zubehörsteckdose.

Abbildung 9a



Stecker mit
aufgesetztem
Endstück

Abbildung 9b



Stecker ohne
Endstück

ARB empfiehlt dringend, diese 2-polige Verbindung immer zu verwenden, wenn die Kühlbox an eine 12- oder 24-VDC-Quelle angeschlossen wird. Dadurch wird eine positive und sichere Verbindung zwischen Ihrer Stromquelle und der Kühlbox hergestellt.


Bei der Platzwahl für die Kühlbox-Zubehörsteckdose sind folgende Punkte zu berücksichtigen:

- Platzieren Sie die Steckdose so nah wie möglich an der Kühlbox.
- Platzieren Sie die Steckdose an einer praktischen Stelle, die es dem Benutzer ermöglicht, den Stecker mühelos ein- und auszustecken.
- Platzieren Sie die Steckdose an einer vor Staub und Feuchtigkeit geschützten Stelle.
- Platzieren Sie die Buchse an einer möglichst hohen Stelle des Fahrzeugs, damit sie nicht nass wird, wenn mal Wasser ins Fahrzeug eindringt.

HINWEIS – Wenn der Stecker oder Adapter abgezogen und die Kühlbox an einen 12- oder 24-VDC-Stromkreis angeschlossen wird, muss eine 15-A-Kabelsicherung in dem Kreis eingesetzt werden.

6.5 Ein- und Ausschalten der Kühlbox


So schalten Sie das Gerät ein:

- Öffnen Sie den Deckel.
- Halten Sie  2–3 Sekunden lang gedrückt.

Wenn die Kühlbox eingeschaltet ist, leuchtet die Strom-LED Grün.
Auf dem Display wird die aktuelle Kühltemperatur angezeigt.






HINWEIS – Die aktuelle Kühltemperatur wird in der Mitte des Kühlfachs gemessen. Andere Bereiche der Box können eine andere Temperatur aufweisen.

So schalten Sie die Kühlbox aus:

- Öffnen Sie den Deckel.
- Halten Sie  2–3 Sekunden lang gedrückt.
- Wenn die Kühlbox ausgeschaltet ist, sind die Strom-LED und das Display inaktiv.

6.6 Einstellen der Solltemperatur des Kühlfachs

So stellen Sie die Solltemperatur für das Kühlfach ein:




- Öffnen Sie den Deckel und schalten Sie die Kühlbox ein.
- Drücken Sie einmal : Die aktuelle Solltemperatur wird angezeigt.
- Drücken Sie , um die Solltemperatur um ein Grad zu erhöhen.
- Drücken Sie , um die Solltemperatur um ein Grad zu verringern.
- Drücken Sie weiter  oder , bis die gewünschte Solltemperatur für das Kühlfach erreicht ist.
- Nach 5 bis 6 Sekunden Inaktivität blinkt das Display und zeigt dann wieder die aktuelle Temperatur im Kühlfach an.

HINWEIS – Sobald die Solltemperatur erreicht ist, hält der Kompressor an und die Strom-LED wechselt nach Orange.

6.7 Wechsel zwischen °C und °F

Die ARB Kühlbox zeigt die Temperatur entweder in Grad Celsius (°C) oder in Grad Fahrenheit (°F) an.


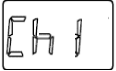


So schalten Sie die Anzeige zwischen °C und °F um:

- Öffnen Sie den Deckel und schalten Sie die Kühlbox ein.
- Drücken Sie zwei Mal , um die aktuelle Temperatureinstellung des Geräts anzuzeigen.
- Drücken Sie  oder , um zwischen °C und °F zu wechseln.
- Nach 5 bis 6 Sekunden Inaktivität blinkt das Display und zeigt dann wieder die aktuelle Temperatur im Kühlfach an.

6.8 Ändern des Übertragungskanals

Die ARB Kühlbox kann mit dem drahtlosen ARB Kühlboxdisplay (getrennt lieferbar) verwendet werden, das 4 Übertragungskanäle bietet.

So ändern Sie den Übertragungskanal:


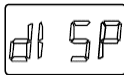


- Öffnen Sie den Deckel und schalten Sie die Kühlbox ein.
- Drücken Sie vier Mal , um den aktuellen Übertragungskanal anzuzeigen (z. B. ).
- Drücken Sie  oder , um zwischen Ch1, Ch2, Ch3 und Ch4 zu wechseln.
- Nach 5 bis 6 Sekunden Inaktivität blinkt das Display und zeigt dann wieder die aktuelle Temperatur im Kühlfach an.

In der Anleitung, die mit dem drahtlosen ARB Kühlboxdisplay geliefert wird, finden Sie Hinweise zur Installation und zum Gebrauch.

6.9 Ändern der Helligkeit des Bedienfeldes

Die Helligkeit der Bedienfeldanzeige an der ARB Kühlbox ist einstellbar.


So ändern Sie die Helligkeit der Bedienfeldanzeige:

- Öffnen Sie den Deckel und schalten Sie die Kühlbox ein.
- Drücken Sie  fünf Mal, um  anzuzeigen.
- Drücken Sie  oder , um zwischen den 2 Helligkeitsstufen zu wechseln.
- Nach 5 bis 6 Sekunden Inaktivität blinkt das Display und zeigt dann wieder die aktuelle Temperatur im Kühlfach an.

6.10 Anzeigen der Versorgungsspannung

Sie können sich die Spannung anzeigen lassen, mit der Ihre ARB Kühlbox versorgt wird.

So lassen Sie sich die Versorgungsspannung anzeigen:

- Öffnen Sie den Deckel und schalten Sie die Kühlbox ein.
- Drücken Sie , um die Versorgungsspannung anzuzeigen.





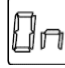
Ist das Gerät an Gleichstrom angeschlossen, wird die Versorgungsspannung angezeigt.

Ist das Gerät an Wechselstrom angeschlossen, wird „AC“ angezeigt.






6.11 Elektronische Verriegelung

Die ARB Kühlbox kann verriegelt werden, um den Zugang zum Kühlfach und eventuelle Änderungen an den Bedienelementeinstellungen zu verhindern. Diese Verriegelung wird über das Bedienfeld an der Vorderseite der Kühlbox gesteuert. Bei einer neuen Kühlbox ist die Verriegelung deaktiviert und muss vor dem Gebrauch aktiviert werden.



6.11.1 So aktivieren Sie die elektronische Verriegelung:

- Öffnen Sie den Deckel und schalten Sie die Kühlbox ein.
- Halten Sie  3–5 Sekunden lang gedrückt.
- Geben Sie den Code ein. Sofern der Code nicht geändert wurde, lautet er standardmäßig .
- Drücken Sie  oder , um  auszuwählen.
- Nach 3–5 Sekunden Inaktivität blinkt das Display 3 Mal und zeigt dann wieder die aktuelle Temperatur im Kühlfach an.

6.11.2 So deaktivieren Sie die elektronische Verriegelung:

- Öffnen Sie den Deckel und schalten Sie die Kühlbox ein.
- Halten Sie  3–5 Sekunden lang gedrückt.
- Geben Sie den Code ein. Sofern der Code nicht geändert wurde, lautet er standardmäßig .
- Drücken Sie  oder , um  auszuwählen.
- Nach 3–5 Sekunden Inaktivität blinkt das Display 3 Mal und zeigt dann wieder die aktuelle Temperatur im Kühlfach an.

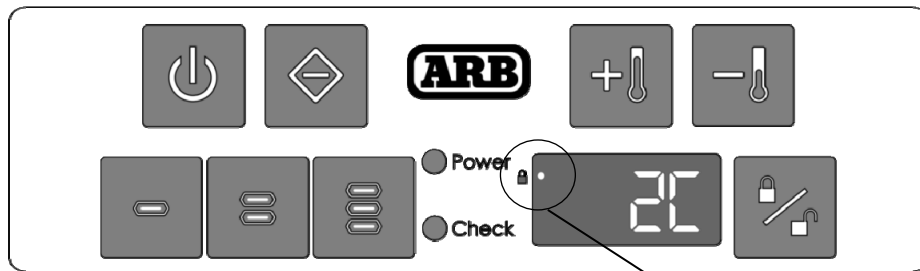
6.11.3 So verriegeln Sie die Kühlbox:

- Schalten Sie die Kühlbox ein und schließen Sie den Deckel.
- Drücken Sie , um die Kühlbox zu verriegeln.
-  blinkt 3 Mal, sobald die Kühlbox verriegelt ist. In der oberen linken Ecke des Display weist ein einzelner Punkt darauf hin, dass die Kühlbox verriegelt ist (siehe Abbildung 10).

HINWEIS: Ist die elektronische Verriegelung nicht aktiviert, wird  angezeigt.

Bei geöffnetem Deckel wird die Kühlbox nicht verriegelt.

Abbildung 10.



Verriegelungs-
symbole

6.11.4 So entriegeln Sie die Kühlbox:

- Drücken Sie , um die Kühlbox zu entriegeln.
- Geben Sie den 4-stelligen Code am Bedienfeld ein.
- blinkt 3 Mal, sobald die Kühlbox entriegelt ist.

HINWEIS: Wird der falsche Code eingegeben, zeigt das Display an.

Wenn die elektronische Verriegelung deaktiviert ist, wird angezeigt.

6.11.5 So ändern Sie den Zugangscode:

- Öffnen Sie den Deckel und schalten Sie die Kühlbox ein.
- Halten Sie 3 Sekunden lang gedrückt.
- Geben Sie den 4-stelligen Code ein. Der Standardcode lautet .
- Drücken Sie oder , um auszuwählen.
- Warten Sie, bis angezeigt wird.
- Geben Sie den neuen 4-stelligen Code ein – z. B. . Der einzelne Punkt in der Ecke oben links weist auf den 1. Eintrag hin.
- wird erneut angezeigt.
- Geben Sie erneut den neuen 4-stelligen Code ein – z. B. . Die 2 Punkte in der Ecke oben links weisen auf den 2. Eintrag hin.

HINWEIS: Wenn die neuen Codes nicht identisch sind, wird angezeigt und der Benutzer wird aufgefordert, neue Codes erneut einzugeben.

6.12 Umgang mit dem Batteriewächter

Die ARB Kühlbox ist mit einem Batteriewächter zur Überwachung der Entladung Ihrer Batterie ausgestattet. Der Batteriewächter hat drei Einstellungen: HIGH (Hoch), MEDIUM (Mittel) und LOW (Niedrig). Mit der Einstellung HIGH liefert der Batteriewächter maximalen Schutz vor übermäßiger Entladung der Batterie. Mit der Einstellung LOW lässt der Batteriewächter die maximale Auslastung der Batteriekapazität zu. In Tabelle 1 sind die Spannungsabschaltniveaus der drei Batteriewächtereinstellungen angegeben.

Wenn die Kühlbox betrieben werden kann, ohne die Zündung des Fahrzeugs einzuschalten, lässt der Batteriewächter das Gerät abschalten, sobald die Versorgungsspannung unter die eingestellte Grenze fällt. Die Kühlbox startet automatisch neu, sobald die Neustartspannung erreicht ist.

HINWEIS – Bei aktivem Batteriewächter ist das Kühlaggregat (einschließlich Kompressor) außer Betrieb. Die Strom-LED des Bedienfelds ist dann AUS und die Funktionskontroll-LED blinkt ROT. Das Kühlaggregat startet erst dann wieder, wenn der Spannungspegel der Batterie die Neustartspannung laut Tabelle 1 erreicht.

Tabelle 1




	BATTERIEWÄCHTER-MODUS		
	LOW	MED	HIGH
Abschaltspannung – 12 VDC	10.1 V	11.4V	11.8V
Neustartspannung – 12 VDC	11.1V	12.2V	12.6V
Abschaltspannung – 24 VDC	21.5V	24.1V	24.6V
Neustartspannung – 24 VDC	23.0V	25.3V	26.2V

Ist die Kühlbox an die Starterbatterie eines 12/24-VDC-Systems angeschlossen, so ist die Batteriewächter-Einstellung HIGH/MEDIUM zu empfehlen.

Ist die Kühlbox an die Zubehörbatterie eines 12/24-VDC-Systems angeschlossen, empfiehlt ARB die Batteriewächter-Einstellung LOW.

HINWEIS – Es empfiehlt sich, die Batterie aufzuladen, sobald der Batteriewächter ausgelöst wurde. Des Weiteren empfiehlt ARB, alle unwesentlichen elektrischen Verbraucher, die von der selben Quelle gespeist werden wie die Kühlbox, ausgeschaltet werden, bis die Batterie wieder voll aufgeladen ist.

So ändern Sie das Batterieschutzniveau:

- Öffnen Sie den Deckel und schalten Sie die Kühlbox ein.
- Drücken Sie drei Mal , um die aktuelle Batterieschutzeinstellung anzuzeigen.
- Drücken Sie  oder , um die Batterieschutzspannung zwischen HI (Hoch), MED (Mittel) und LO (Niedrig) umzuschalten.
- Nach 5 bis 6 Sekunden Inaktivität blinkt das Display und zeigt dann wieder die aktuelle Temperatur im Kühlfach an.



6.13 Gebrauch des Korbs

Die ARB Kühlbox wird mit einem doppelseitigen Korb geliefert, der zum Schutz der Innenwände des Kühlfachs beiträgt. Der Korb kann mit der hohen Seite zur Vorderseite der Kühlbox hin eingesetzt werden (siehe Abbildung 11a). Dadurch können lange Objekte quer auf den oberen Teil des Kühlfachs gelegt werden. Der Korb kann auch so umgesetzt werden, dass die hohe Seite sich in der Mitte des Kühlfachs befindet (siehe Abbildung 11b). Dadurch erhält man eine Abtrennung in voller Höhe zwischen dem Haupt- und Nebenkühlfach.

Abbildung 11a

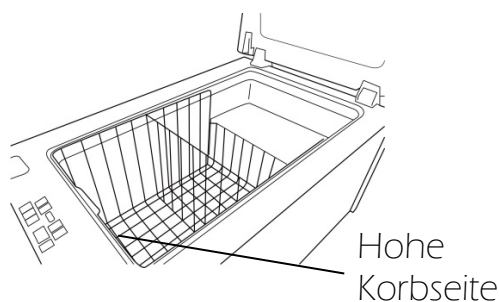
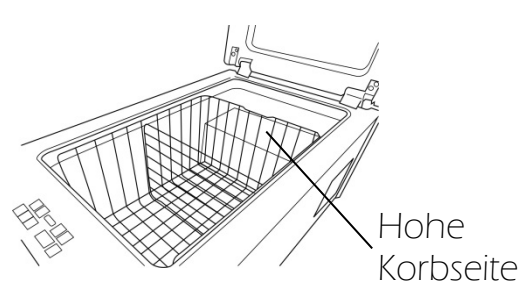


Abbildung 11b



So entfernen Sie den Korb aus dem Kühlfach:

- Heben Sie den Korb senkrecht aus dem Kühlfach heraus. Einige Modelle sind mit einem festen Korb ausgestattet. Zum Herausnehmen eines solchen Korbs müssen Sie die Halterung entfernen und diese wieder anbringen, wenn der Korb wieder eingesetzt wird.

So setzen Sie den Korb wieder in das Kühlfach ein:

- Schieben Sie den Korb in das Kühlfach der Box hinunter. Der Korb befindet sich in der richtigen Lage, wenn er unten am Boden des Kühlfachs aufliegt.
- Befestigen Sie den Korb mit der Originalhalterung.

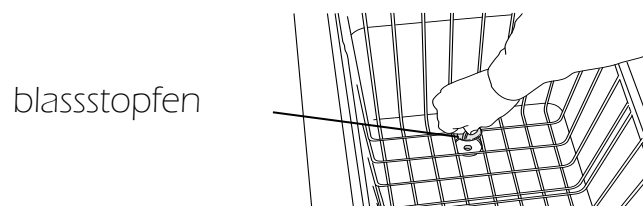
6.14 Korbteiler

Die ARB Kühlbox wird mit einem herausnehmbaren Korbteiler geliefert, der einfach nach oben aus dem Korb herausgezogen werden kann. Wenn der Korbteiler wieder eingesetzt wird, muss dieser zwischen den Stegen an den Seiten des Drahtkorbs eingeschoben werden. Bei Modellen mit festem Teiler muss dieser nicht vom Korb getrennt werden.

6.15 Ablasstopfen

An der Unterseite des Kühlfachs befindet sich ein herausnehmbarer Ablasstopfen (siehe Abbildung 12). Dieser kann entfernt werden, um Flüssigkeiten aus dem Kühlfach der Box zu abzulassen.

Abbildung 12



So entfernen Sie den Ablasstopfen:

- Öffnen Sie den Deckel der Kühlbox.
- Ziehen Sie mit Ihren Fingern am Stopfen.
- Heben Sie den Stopfen vorsichtig aus dem Boden des Kühlfachs heraus.

So setzen Sie den Ablasstopfen wieder ein:

- Öffnen Sie den Deckel der Kühlbox.
- Führen Sie die Spitze des Ablasstopfens in den Ablass ein.
- Drücken Sie vorsichtig auf den Ablasstopfen, sodass er in den Ablass gleitet. Der Ablasstopfen sitzt richtig, wenn die Dichtlippe des Stopfens komplett am Boden des Kühlfachs anliegt.

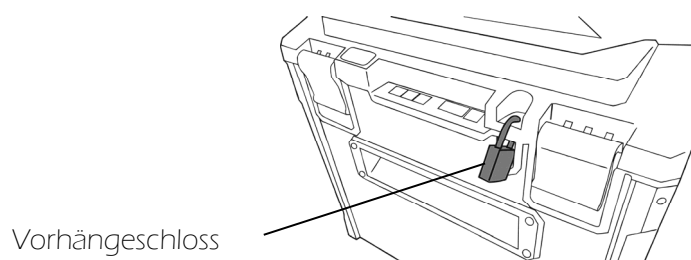
HINWEIS – Es ist wichtig, den Ablasstopfen wieder einzusetzen, bevor die Kühlbox wieder eingeschaltet wird.

6.16 Abschließen der Kühlbox mit Vorhängeschloss

Die ARB Kühlbox kann mit einem Vorhängeschloss abgeschlossen werden, um den Zugang zum Kühlfach und eventuelle Änderungen an den Bedieneinstellungen zu verhindern.

Zum Abschließen der Kühlbox können Sie ein Vorhängeschloss zwischen Deckel und Kühlfach anbringen (siehe Abbildung 13).

Abbildung 13.



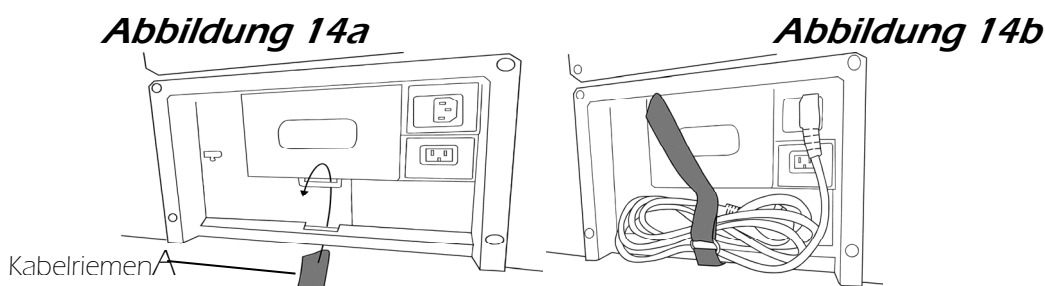
6.17 Kabelriemen

Die ARB Kühlbox wird mit einem Textilriemen geliefert, der zur Aufbewahrung der Stromkabel verwendet werden kann, wenn diese nicht gebraucht werden.

So befestigen Sie den Riemen:

1. Führen Sie das freie Ende des Riemens von unten her durch die beiden Befestigungspunkte an der Rückseite der Kühlbox (siehe Abbildung 14a).
2. Bündeln Sie das Kabel und setzen Sie es zwischen den Befestigungspunkten an.
3. Führen Sie das freie Ende des Riemens über das Kabel und durch die Öse. Ziehen Sie den Riemen fest und sichern Sie ihn, wie in Abbildung 14b dargestellt.

HINWEIS: Wenn der Riemen nicht gebraucht wird, können Sie ihn festziehen und an der Rückseite der Kühlbox verstauen.



6.18 Energiesparhinweise

Damit Sie von der optimalen Leistung Ihrer Kühlbox profitieren, empfiehlt ARB Folgendes.

- Stellen Sie die Kühlbox an einem gut belüfteten Ort auf, der vor direkter Sonneneinstrahlung geschützt ist.
- Öffnen Sie die Kühlbox so selten wie möglich – nur wenn es nötig ist.
- Lassen Sie den Deckel nicht länger als nötig offen.
- Stellen Sie die Solltemperatur nicht niedriger als notwendig ein.
- Tauen Sie die Kühlbox ab, sobald sich darin Eis bildet.

6.19 Abtauen der Kühlbox

Von Zeit zu Zeit kann sich Eis im Inneren der ARB Kühlbox bilden. Dieses kann sowohl ihre interne Kapazität als auch ihre thermische Effizienz reduzieren. Es wird empfohlen, die Kühlbox regelmäßig abzutauen.

So tauen Sie die ARB Kühlbox ab:

- Machen Sie die Kühlbox leer.
- Schalten Sie das Gerät aus.
- Öffnen Sie den Deckel, damit das Eis durch die Umgebungstemperatur schmilzt.
- Entfernen Sie den Ablassstopfen und lassen Sie das Wasser aus dem Kühlfach ablaufen.
- Wischen Sie das Kühlfach mit einem weichen Lappen ab, um das restliche Wasser zu entfernen.

WARNUNG: Verwenden Sie niemals harte oder spitze Gegenstände zum Abtauen der Kühlbox oder zum Lösen von Objekten, die angefroren sind.

6.20 Auswechseln der Steckersicherung (12/24 V)

Das Gerät ist mit einer Sicherung ausgestattet, die sich im 12/24-VDC-Stecker befindet.

ACHTUNG – Trennen Sie die Kühlbox von allen Energiequellen, bevor Sie die Steckersicherung ersetzen.

So setzen Sie die Steckersicherung wieder ein:

- Schrauben Sie das Oberteil des Steckergehäuses ab (siehe Abbildung 15a).
- Ersetzen Sie die defekte Sicherung durch eine neue mit der gleichen Amperezahl. Die Sicherung muss mit 3AG 10 Amp gekennzeichnet sein (Siehe Abbildung 15b).
- Bauen Sie den Stecker sinngemäß in der umgekehrte Reihenfolge der obigen Schritte wieder zusammen.

Abbildung 15a

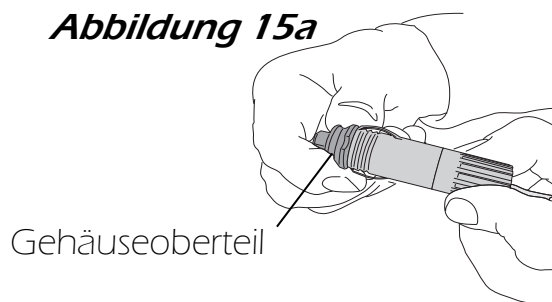
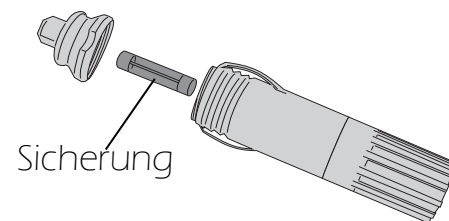


Abbildung 15b



6.21 Auswechseln der Kühlfachsicherung

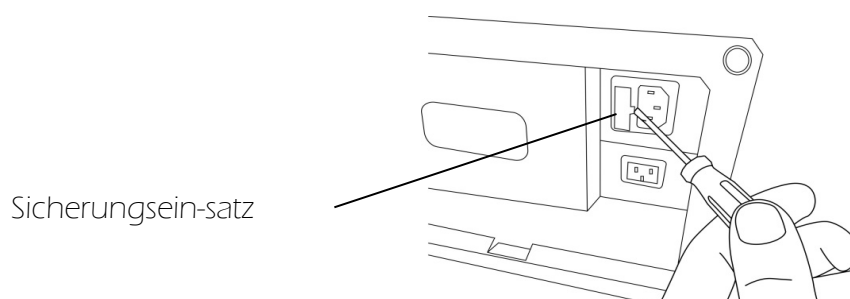
Das Gerät ist mit einer Sicherung ausgestattet, die sich im hinteren Teil des Kühlfachs befindet.

ACHTUNG – Trennen Sie die Kühlbox von allen Energiequellen, bevor Sie die Kühlfachsicherung ersetzen.

So setzen Sie die Kühlfachsicherung wieder ein:

- Ziehen Sie die Stromkabel für Gleich- und Wechselspannung aus den Steckdosen heraus.
- Entfernen Sie den Sicherungseinsatz aus der Rückwand der Kühlbox (siehe Abbildung 16). Sie brauchen u. U. einen kleinen Schlitzschraubendreher, um den Einsatz aus dem Gehäuse zu hebeln.
- Ersetzen Sie die defekte Sicherung durch eine neue mit der gleichen Amperezahl. Die Sicherung muss auf 4A ausgelegt sein, Kennzeichnung: F4L250V.
- Stecken Sie den Sicherungseinsatz wieder in das Gehäuse ein.

Abbildung 16a



6.22 Aufbewahrung der Kühlbox

Wenn Sie Ihre Kühlbox über einen längeren Zeitraum aufbewahren, wird Folgendes empfohlen:

- Schalten Sie die Kühlbox aus und trennen Sie sie von allen Energiequellen.
- Entfernen Sie alle Gegenstände (außer dem Korb und dem Korbteiler) aus dem Kühlfach.
- Lassen Sie den Deckel leicht geöffnet, damit Luft durch das Kühlfach strömen kann.

TIPP – Damit der Deckel offen bleibt, können Sie ihn leicht anheben und die Verschlüsse auf die Oberkante des Kühlfachs klappen, bevor Sie den Deckel vorsichtig darauf absenken. Zur Unterstützung der Belüftung können Sie den Ablasstopfen entfernen.

7 REINIGUNG UND WARTUNG

Benutzen Sie zum Reinigen der Kühlbox von innen oder außen einen feuchten Lappen und warmes Wasser mit einem milden, nicht scheuernden Haushaltsreiniger. Für Edelstahlflächen wird ein hochwertiger Edelstahlreiniger empfohlen. Kleinere Kratzer und Schlieren können mit einer guten Edelstahl- bzw. Metallpolitur vom Edelstahl entfernt werden.

Wenn Sie die Kühlbox in staubiger Umgebung betreiben, empfiehlt es sich, die Außenflächen regelmäßig zu reinigen, damit sie nicht verschmutzen und abstumpfen. ARB empfiehlt insbesondere, den Bereich um die Scharniere und die Motoreinfassung regelmäßig zu reinigen. Für die Reinigung der Motoreinfassung sollten Sie die Kühlbox an einen gut belüfteten Ort stellen und einen Staubsauger oder einen schwachen Druckluftstrahl verwenden.

WARNUNG – Sie dürfen auf keinen Fall die Motoreinfassung entfernen.

Vor der Reinigung der Kühlbox sollten Sie folgende Punkte beachten:

- Schalten Sie vor jeder Reinigung oder Wartung des Geräts den Strom ab und ziehen Sie die Stecker von der Kühlbox ab.
- Verwenden Sie niemals harte Gegenstände oder Scheuermittel zum Reinigen der Kühlbox.
- Verwenden Sie zum Abtauen der Kühlbox keine Bürsten, Scheuerpads oder harte bzw. spitze Werkzeuge.
- Reinigen Sie die Kühlbox nicht unter fließendem Wasser oder mit einem Hochdruckreiniger.

8 ENTSORGUNG

Entsorgen Sie das Verpackungsmaterial in den dafür vorgesehenen Recycling-Abfallbehältern, falls vorhanden.

Wenn Sie die Kühlbox endgültig entsorgen möchten, fragen Sie Ihre örtliche Recyclingstelle oder einen zugelassenen ARB Kühlbox-Händler nach den Voraussetzungen für eine vorschriftsmäßige Entsorgung.

9 TECHNISCHE DATEN

Fassungsvermögen insgesamt – Liter (qt)	60 (63)
Typ	10800050
Kategorie	I
Jährlicher Energieverbrauch (KWh/annum)	90
Klimaklasse	N,T
Energieeffizienzindex (EEI)	A+
Anschlussspannung (ausgen. Nordamerika)	12/24 VDC und 100–240 VAC
Anschlussspannung Nordamerika	12/24 VDC und 120 VAC ~ 60 Hz
Nennstromstärke	
- 12 VDC	6.8 A
- 24 VDC	3.4 A
- 100–240 VAC	1,0–0,5 A
- 120 VAC	1.0 A
Kühlleistung	+ 10 bis -18 °C
Umgebungstemperatur	+ 16 bis +43 °C
Gewicht netto kg (lb)	32 (70)
Geräusch (dbA)	50
Kältemittel R134a – g (oz)	58 (2.0)
Außenmaße mm (in) – Abbildung 17a	
- H1	435 (17.3)
- B1 (W1)	490 (19.3)
- T1 (D1)	820 (32.3)
Innenmaße mm (in) – Abbildung 17b	
- H2	332 (13.1)
- H3	144 (5.7)
- B2 (W2)	355 (14.0)
- T2 (D2)	477 (18.8)
- T3 (D3)	633 (24.9)

Hinweis: Die maximale Kühlleistung beträgt 50 °C unter der Umgebungstemperatur. Bei einer Umgebungstemperatur über 32 °C kann die Mindesttemperatur nicht erreicht werden.

Abbildung 17a

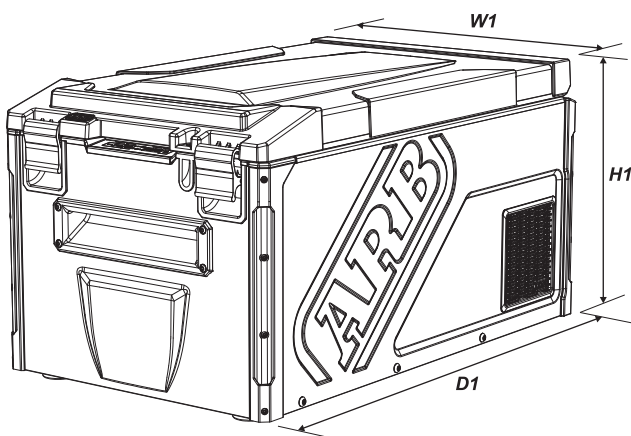
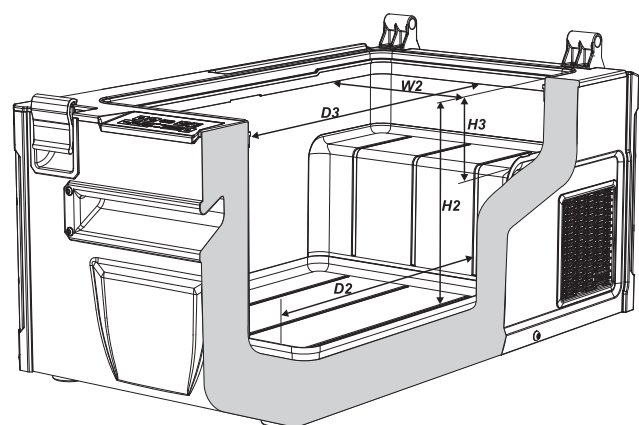


Abbildung 17b



Dieses Gerät ist FCKW-frei. Der Kältemittelkreislauf enthält R134a. Das Evakuieren oder Aufladen von Kältemittel darf nur von einem zugelassenen Kälteanlagentechniker vorgenommen werden.

10 GARANTIE

ARB gewährleistet für den Garantiezeitraum, dass die ARB-Produkte frei von Material- und Verarbeitungsfehlern sind. Sollten innerhalb des Garantiezeitraums Material- oder Verarbeitungsfehler erkannt werden, so repariert oder erstattet ARB das defekte Produkt.

Die Vorteile, die der Kunde durch diese Garantie erhält, gelten unabhängig von den sonstigen Rechten und Rechtshilfen des Kunden nach jeglichem Recht bezüglich der Waren oder Dienstleistungen, auf welche die Garantie sich bezieht.

1) Glossar für diese Garantie:

- **ARB** bedeutet ARB Corporation Limited (ABN 31 006 708 756) mit Sitz in 42-44 Garden St, Kilsyth Victoria 3137, Australien
- **ARB Outlet** bedeutet eine Verkaufsstelle, die von ARB für den Verkauf und die Installation von ARB Produkten autorisiert wurde.
- **ARB Produkt** steht für Produkte, die ARB herstellt oder als exklusiver Lieferant vertreibt.
- **Produkthinweise** steht für die Informationen über das entsprechende ARB Produkt, die in Folgendem enthalten sein können: Dokumente aus dem Lieferumfang des ARB Produkts, Benutzerhandbuch, Bedienungsanleitung, Wartungshandbuch des Herstellers oder Beschriftungen am ARB Produkt selbst.
- **Garantiezeitraum** steht in Bezug auf ein ARB Produkt für den Zeitraum, in dem diese Garantie auf Mängel anwendbar ist und der in den Tabellen in Absatz 8 dargelegt ist.

2) Zur Wahrung des Anspruchs auf die Garantie muss der Kunde:

- a) das ARB Produkt im Einklang mit den Produkthinweisen installiert haben
- b) die normale Pflege und Wartung des ARB Produkts, einschließlich aller laut Produkthinweisen erforderlichen Maßnahmen, durchführen
- c) einen Kaufbeleg über das ARB Produkt vorweisen
- d) den Anspruch innerhalb des Garantiezeitraums stellen

2) Die Garantie gilt nicht für Fälle, in denen der Mangel verursacht wurde durch:

- a) unübliche, falsche oder nachlässige Verwendung oder Zweckentfremdung des ARB Produkts
- b) falsche Installation des ARB Produkts, sofern nicht durch eine ARB Verkaufsstelle
- c) Beladung des ARB Produkts über das in den Produkthinweisen angegebene Gewicht hinaus
- d) Verwendung von Nicht-Original ARB Teilen in oder mit dem ARB Produkt
- e) Verwendung in oder an Fahrzeugen mit Umbauten, die nicht laut Produkthinweisen zugelassen sind und die nicht von einer ARB Verkaufsstelle stammen
- f) Verwendung für Renn- und sonstige Wettbewerbsveranstaltungen
- g) Verwendung des ARB Produkts entgegen den Vorgaben in den Produkthinweisen

3) Die Einlösung des Garantieanspruchs durch den Kunden verläuft wie folgt:

- a) Der Kunde übergibt bzw. schickt das ARB Produkt an die nächstgelegene ARB Verkaufsstelle oder setzt sich mit ARB in Verbindung, um einen Termin zu vereinbaren, an dem er das mit dem ARB Produkt ausgestattete Fahrzeug zwecks Inspektion zu einer ARB Verkaufsstelle bringt. Nähere Angaben zu den lokalen Verkaufsstellen bzw. Kontaktdaten sind in Absatz 7 weiter unten aufgeführt.
- b) Der Kunde legt der ARB Verkaufsstelle einen Kaufbeleg über das ARB Produkt vor.
- c) ARB überprüft das ARB Produkt und stellt fest, ob die Garantiebedingungen erfüllt sind.

4) Wenn ARB den Garantieanspruch eines Kunden akzeptiert, behebt ARB jeden Material- oder Verarbeitungsfehler auf eigene Kosten.

5) Alle Kosten, die dem Kunden in Verbindung mit der Garantieforderung selbst entstehen, trägt der Kunde.

6) Diese Garantie wird gewährt von:

ARB Corporation Limited
42-44 Garden Street Kilsyth VIC 3137, Australien
Tel.: 03 9761 6622
Fax: 03 9721 9090
www.arb.com.au

7) Der Zeitraum, innerhalb dessen ein Mangel am ARB Produkt festgestellt werden muss, damit der Kunde Anspruch auf eine Garantieleistung hat, beträgt 3 Jahre ab Kaufdatum. Hiervon ausgenommen sind folgende Fälle:

- a) Verwendung des ARB Produkts für gewerbliche Zwecke. Hierbei steht "gewerblich" für den Gebrauch in der Industrie oder im Handel, einschließlich des Einsatzes im Bergbau oder in Mietfahrzeugen. In diesem Fall beträgt der Garantiezeitraum 1 Jahr oder 20.000 km (was zuerst eintritt) oder ein Drittel des Zeitraums bzw. der Fahrleistung laut Tabelle, beginnend mit dem Kaufdatum.

8) Die in diesem Dokument gegebene Garantie auf Mängel ersetzt jede andere Garantie auf Mängel oder freiwillig erteilte Garantie bezüglich der Produkte.

Unsere Waren werden mit einer Garantie vertrieben, die nach australischem Kundenrecht nicht ausgeschlossen werden kann. Sie haben Anspruch auf Ersatz oder Kostenerstattung bei einem größeren Defekt des Geräts sowie auf einen entsprechenden Ausgleich bei jedem sonstigen vernünftigerweise vorhersehbareren Verlust oder Schaden. Außerdem haben Sie Anspruch auf Reparatur oder Ersatz der Ware, wenn diese nicht eine angemessene Qualität aufweist, selbst wenn dadurch kein größerer Defekt auftritt.

11 FEHLERBEHEBUNG

Die folgende Checkliste soll bei Problemen mit der Kühlbox helfen, die Fehlerquelle zu ermitteln. Wenn Sie sich nach der Überprüfung anhand dieser Checkliste immer noch unsicher sind, was die Ursache des Fehlers ist, wenden Sie sich an Ihren nächstgelegenen ARB Kühlbox Kundendienst.

1. Die Kühlbox läuft nicht mehr. Die Strom-LED leuchtet nicht.

- 1.1 Die Stromanschlüsse an der Kühlbox oder Stromversorgung könnten locker oder verschmutzt sein.**
 - Überprüfen Sie, ob die Stromanschlüsse der Kühlbox nicht locker sitzen oder getrennt sind.
 - Überprüfen Sie, ob die elektrischen Kontakte nicht verschmutzt sind bzw. den Spannungsfluss zur Kühlbox behindern.
- 1.2 Die Sicherung im 12/24-V-DC-Kabelstecker könnte durchgebrannt sein.**
 - Überprüfen Sie die 12/24-V-DC-Kabelsteckersicherung und ersetzen Sie diese, falls erforderlich. Siehe dazu Abschnitt 6.20.
- 1.3 Die Sicherung im Kühlfach könnte durchgebrannt sein.**
 - Überprüfen Sie die Kühlfachsicherung und ersetzen Sie diese, falls erforderlich. Siehe dazu Abschnitt 6.21.

2. Der Kühlboxkompressor läuft nicht mehr. Die Strom-LED leuchtet ORANGE.

- 2.1 Die Kühlbox hat die gewünschte Solltemperatur für das Kühlfach erreicht.**
 - Die Kühlbox funktioniert einwandfrei. Keine Maßnahme erforderlich.

3. Die Kühlbox läuft nicht mehr. Die Strom-LED ist AUS und die Funktionskontroll-LED blinkt ROT.

- 3.1 Das interne Batterieschutzsystem hat die Kühlbox abgeschaltet, weil die Batteriespannung niedrig ist.**
 - Die Kühlbox startet automatisch neu, sobald die Neustartspannung erreicht ist. Siehe Abschnitt 6.12, bezüglich Abschalt- und Neustartspannung.

4. Die Kühlbox kühlt nicht oder läuft nicht mehr. Die Strom-LED leuchtet GRÜN.

- 4.1 Es kann ein interner Fehler innerhalb der Kühlbox vorliegen.**
 - Dies kann nur ein zugelassener ARB Kühlbox-Kundendienst beheben.

5. Auf dem Bedienfeld wird eine Fehlermeldung angezeigt (z. B. „ERR1“, „ERR2“ oder „ERR3“) und die Kühlbox kühlt nicht.

- 5.1 Die Kühlbox könnte aufgrund eines internen Fehlers abgeschaltet haben.**
 - Dies kann nur ein zugelassener ARB Kühlbox-Kundendienst beheben.

6. Bei Betrieb über den Stromkreis eines Fahrzeugs mit laufendem Motor rüttelt die Kühlbox gelegentlich oder setzt aus.

6.1 Wahrscheinlich liegt ein Spannungsverlust innerhalb von der Fahrzeugelektrik vor.

- Dies lässt sich feststellen, indem die Spannung am Ende der Stromleitung zur Kühlbox hin gemessen wird, während die Kühlbox läuft. Liegt der Messwert unter 11,8 Volt (12 VDC) oder 24,1 Volt (24 VDC), sollten Sie die Elektrik überprüfen lassen.
- Falls erforderlich, können Sie den Stromkreis der Kühlbox verstärken (siehe Hinweise in Abschnitt 6.4.4).

7. Die Kühlbox stoppt und startet oder läuft unregelmäßig.

7.1 Möglicherweise wurde die Kühlbox durch das interne Batterieschutzsystem abgeschaltet, weil die Batteriespannung niedrig ist.

- Überprüfen Sie, ob die Versorgungsspannung am Kühlboxstecker unter die in Abschnitt 6.12 genannte Abschaltspannung gefallen ist. Die Spannung muss am Kühlboxstecker gemessen werden, da in der Regel zwischen der Stromquelle (Batterie) und dem Kühlboxstecker mindestens 1-2 Volt verloren gehen.
- Möglicherweise muss die Fahrzeugbatterie ausgetauscht oder die Verkabelung zur Kühlbox verstärkt werden. Einzelheiten zu den Verdrahtungsanforderungen finden Sie in Abschnitt 6.4.4.

8. Die Kühlbox läuft zu lange und kühlt nicht richtig.

8.1 Eine gute Kühlleistung, insbesondere bei hoher Umgebungstemperatur, hängt von einem guten Luftstrom durch die Lüftungsschlitze der Kühlbox ab.

- Stellen Sie sicher, dass alle Lüftungsschlitze frei sind und dass um die Kühlbox herum genug Abstand für eine gute Luftzirkulation bleibt. Einzelheiten hierzu finden Sie in Abschnitt 5.1.

9. Die LED-Kühlfachbeleuchtung leuchtet nicht, wenn der Deckel der Kühlbox geöffnet wird.

9.1 Die Kühlbox ist möglicherweise nicht an eine geeignete Stromversorgung angeschlossen.

- Überprüfen Sie die Verbindung zwischen Stromquelle und Kühlbox.

9.2 Die Kühlbox wurde möglicherweise am Bedienfeld nicht eingeschaltet.

- Schalten Sie die Kühlbox am Bedienfeld ein.

Lea atentamente esta guía de funcionamiento y mantenimiento antes de encender su nevera ARB por primera vez. Guarde esta guía en un lugar seguro junto con una copia de la factura.

CONTENIDO

1	INTRODUCCIÓN.....	55
2	DETALLES DE ENTREGA.....	55
3	INSTRUCCIONES DE SEGURIDAD.....	56
	3.1 Seguridad general.....	56
	3.2 Uso seguro de la nevera.....	56
4	DESCRIPCIÓN DE LA NEVERA ARB.....	57
5	INSTALACIÓN.....	58
	5.1 Instalación general.....	58
	5.2 Instalación en un vehículo.....	59
	5.2.1 Montaje permanente.....	59
	5.2.2 Montaje temporal.....	60
6	FUNCIONAMIENTO.....	61
	6.1 Antes de usar la nevera.....	61
	6.2 Transporte de la nevera.....	61
	6.3 Abrir la nevera.....	61
	6.4 Conexión de la nevera.....	62
	6.4.1 Conexión a 100-240 VCA.....	62
	6.4.2 Conexión a un generador accionado por motor.....	62
	6.4.3 Conexión a 12/24 VCC.....	63
	6.4.4 Cables necesarios para 12/24 VCC.....	63
	6.4.5 Toma de corriente de 12/24 VCC.....	64
	6.5 Encendido y apagado de la nevera.....	65
	6.6 Ajuste de la temperatura de la caja.....	65
	6.7 Cambiar entre °C y °F.....	65
	6.8 Cambiar el canal de transmisión.....	66
	6.9 Cambiar el nivel de brillo del panel de control.....	66
	6.10 Mostrar la tensión de alimentación.....	66
	6.11 Bloqueo electrónico.....	67
	6.11.1 Para activar el bloqueo electrónico.....	67
	6.11.2 Para desactivar el bloqueo electrónico.....	67
	6.11.3 Para bloquear la nevera.....	67
	6.11.4 Para desbloquear la nevera.....	68
	6.11.5 Para cambiar el código de acceso.....	68
	6.12 Uso del supervisor de carga de batería.....	69
	6.13 Uso de la cesta.....	70
	6.14 Divisor de cesta.....	71
	6.15 Tapón de drenaje.....	71
	6.16 Bloquear la nevera con un candado.....	71
	6.17 Correa sujetacables.....	72
	6.18 Consejos para ahorrar energía.....	72
	6.19 Desescarchar la nevera.....	72
	6.20 Sustitución del fusible del enchufe (12/24 V).....	73
	6.21 Sustitución del fusible de la caja.....	73
	6.22 Almacenamiento de la nevera.....	74
7	LIMPIEZA Y MANTENIMIENTO.....	74
8	DESECHO.....	74
9	DATOS TÉCNICOS.....	75
10	GARANTÍA.....	76
11	SOLUCIÓN DE PROBLEMAS.....	77

1 INTRODUCCIÓN

Le damos la enhorabuena por su compra de una nevera ARB. Su nevera ARB se ha diseñado específicamente para condiciones todoterreno difíciles y su función principal es refrigerar alimentos y bebidas. También se puede usar como congelador si se desea. Siga las instrucciones y directrices descritas en este documento para asegurarse de obtener el máximo rendimiento y una fiabilidad duradera de su nevera.

La nevera ARB está diseñada para funcionar con una alimentación de 12 VCC o 24 VCC de un vehículo, barco o caravana. También puede funcionar con un suministro de red eléctrica de 100-240 VCA a través del inversor de corriente integrado.

PRECAUCIÓN: si tiene que refrigerar medicamentos, compruebe si la capacidad de refrigeración de la nevera es suficiente para este fin.

2 DETALLES DE ENTREGA

Su nevera ARB se suministra con los siguientes componentes. En caso de que no se incluya alguno de los componentes con su nevera, póngase en contacto con el distribuidor local de ARB.

COMPONENTE	CANTIDAD
<i>Nevera ARB</i>	<i>1</i>
<i>Cesta reversible</i>	<i>1</i>
<i>Divisor de cesta</i>	<i>1</i>
<i>Cable de alimentación de 12/24 VCC</i>	<i>1</i>
<i>Cable de alimentación de 100-240 VCA</i>	<i>1</i>
<i>Correa sujetacables</i>	<i>1</i>
<i>Guía de funcionamiento y mantenimiento</i>	<i>1</i>

3 INSTRUCCIONES DE SEGURIDAD

3.1 Seguridad general

Para garantizar la seguridad de todos los usuarios de la nevera, ARB recomienda tener en cuenta las siguientes indicaciones generales de seguridad:

- Suministre siempre la tensión correcta (y con la polaridad correcta) a la nevera.
- No conecte la nevera a un cargador de batería, un convertidor de CA/CC o un rectificador.
- Desconecte la nevera de la batería antes de usar un cargador rápido de batería.
- No utilice materiales afilados, abrasivos o corrosivos para limpiar o desescarchar la nevera.
- Los niños no deben utilizar la nevera sin supervisión.
- Este aparato lo pueden usar niños de 8 años o más y personas con minusvalías físicas, sensoriales o mentales, o con falta de experiencia y conocimientos siempre que se les supervise y se les enseñe a utilizar el aparato de forma segura, y comprendan los riesgos asociados con su uso. Los niños no deben jugar con el aparato. Las tareas de limpieza y mantenimiento de usuario no las deben realizar niños sin supervisión.
- Si el cable de alimentación está dañado, debe ser reemplazado antes de usar la nevera.
- Desconecte la nevera de todas las fuentes de alimentación antes de realizar tareas de limpieza o mantenimiento.
- No almacene líquidos inflamables o gases dentro de la nevera o cerca de ella.
- No abra ni manipule el circuito de refrigeración.
- No quite ni modifique ninguno de los componentes eléctricos.
- No almacene ni transporte en la nevera sustancias a base de sosa cáustica o disolvente.
- No use la nevera si hay señales visibles de daños.
- La nevera debe ser reparada únicamente por un técnico de mantenimiento de neveras ARB autorizado.
- No almacene en este aparato sustancias explosivas como botes de aerosol con propelente inflamable.
- Este aparato es para uso doméstico o similar, como:
 - Comedores de empleados en talleres, oficinas y otros entornos de trabajo.
 - Casas rurales y clientes de hoteles, moteles y otros entornos de tipo residencial.
 - Entornos de tipo casa de huéspedes.
 - *Catering* y aplicaciones no comerciales similares.

3.2 Uso seguro de la nevera

Para utilizar de forma segura la nevera, ARB recomienda tener en cuenta las siguientes indicaciones de seguridad:

- Asegúrese de que haya siempre suficiente ventilación en torno a la nevera, para evitar que se sobrecaliente. Consulte el apartado 5.1 para obtener más información.
- No toque la carcasa metálica interna de la nevera con la mano húmeda.
- No coloque la nevera cerca de llamas u otras fuentes de calor (calefactores, hogueras, hornos de gas, etc.)
- No rellene la caja de la nevera con hielo ni líquido.
- No coloque dispositivos eléctricos dentro de la nevera.
- No utilice la nevera si sospecha que el sistema eléctrico ha estado expuesto al agua.
- Si la nevera ha estado sumergida en agua, no la utilice.

4 DESCRIPCIÓN DE LA NEVERA ARB

Los principales componentes de la nevera ARB se identifican a continuación en las Figuras 1 a 4.

Figura 1: parte frontal de la nevera

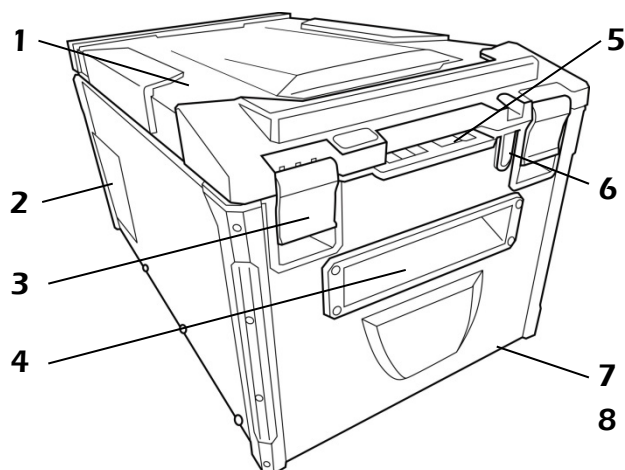


Figura 2: parte trasera de la nevera

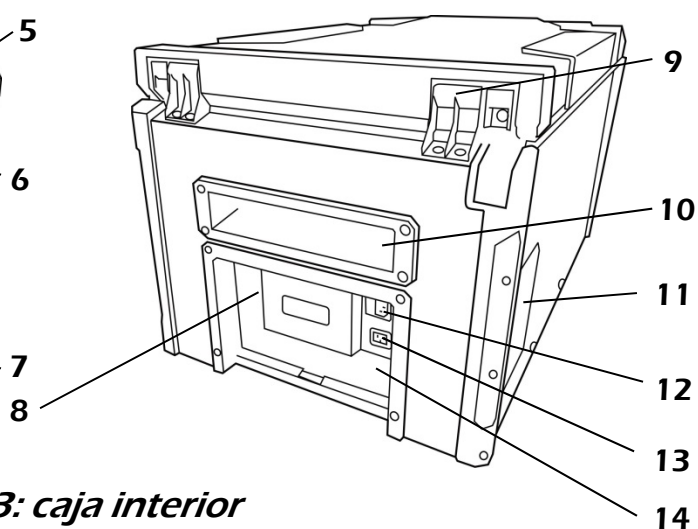
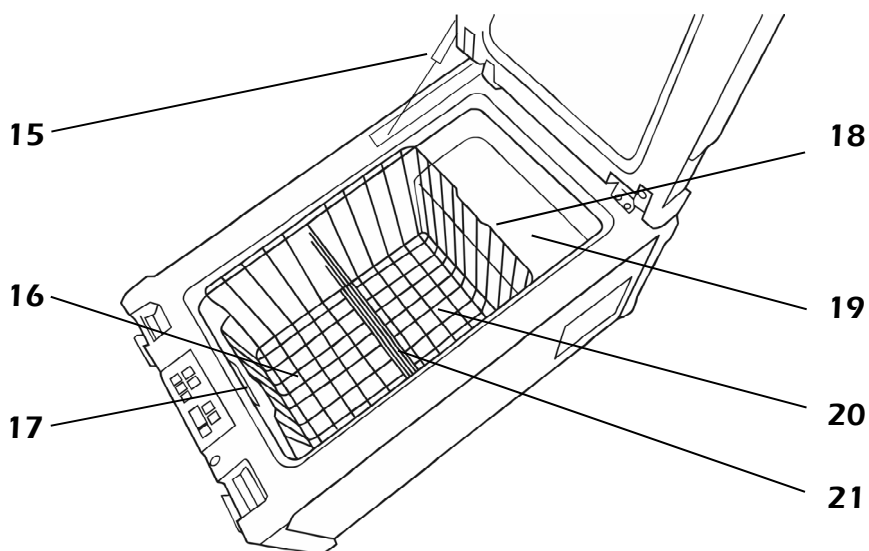


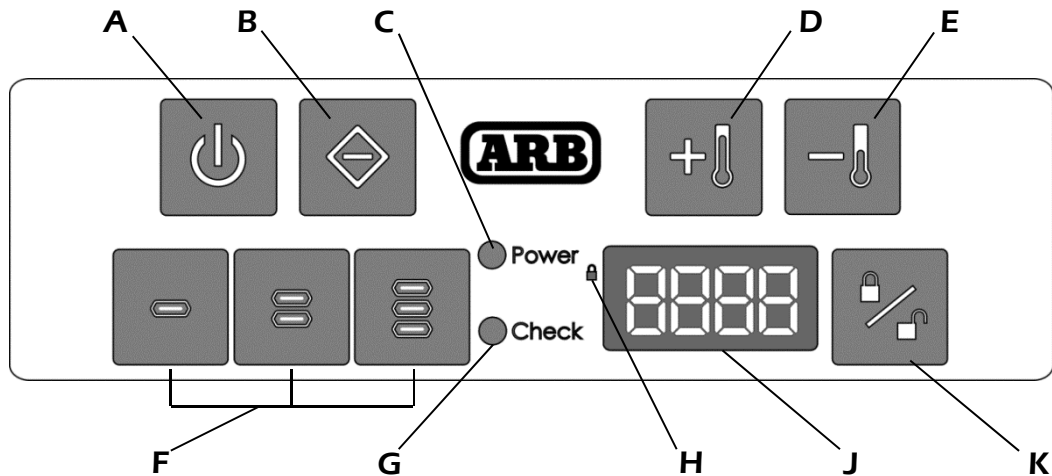
Figura 3: caja interior



1. Tapa
2. Rejilla de ventilación derecha
3. Cierres de tapa (2)
4. Asa de transporte frontal
5. Panel de control
6. Posición del candado
7. Patas de goma (4)
8. Toma de transmisor inalámbrico

9. Bisagras (2)
10. Asa de transporte trasera
11. Rejilla de ventilación izquierda
12. Toma de corriente de 100-240 VCA
13. Toma de corriente de 12/24 VCC
14. Placa de conformidad y número de serie
15. Amortiguador de gas
16. Tapón de drenaje
17. Indicador luminoso de la caja
18. Cesta reversible
19. Caja de refrigeración secundaria
20. Caja de refrigeración principal
21. Divisor de cesta

Figura 4: panel de control



- | | |
|--|--|
| <p>A. Botón de encendido/apagado</p> <p>B. Botón de función</p> <p>C. Indicador luminoso de alimentación*</p> <p>D. Botón de aumento de temperatura (<i>aumentar valor configurado</i>)</p> <p>E. Botón de disminución de temperatura (<i>disminuir valor configurado</i>)</p> | <p>F. Teclado para cierre electrónico</p> <p>G. Indicador luminoso de comprobación</p> <p>H. Símbolo de bloqueo</p> <p>J. Pantalla</p> <p>K. Botón de bloqueo / desbloqueo</p> |
|--|--|

* El indicador luminoso de alimentación se ilumina de color verde cuando el compresor está en funcionamiento. Y se ilumina de color naranja cuando el compresor no está en funcionamiento (p. ej., cuando la nevera alcanza la temperatura deseada).

5 INSTALACIÓN

5.1 Instalación general

Deben tenerse en cuenta las siguientes indicaciones al elegir una ubicación para instalar la nevera ARB.

- Debe haber un espacio mínimo de 50 mm en todos los lados de la nevera.
- Independientemente de si la instalación es permanente o temporal, la nevera debe fijarse a puntos de anclaje seguros.
- La posición de montaje ideal para la nevera es una superficie plana horizontal. Si fuera necesario inclinar la nevera, (p. ej., en un barco), el ángulo máximo admisible es de 30°.
- Evite colocar la nevera cerca de objetos afilados o calientes.
- Evite colocar la nevera cerca de objetos sueltos que puedan caer sobre ella y obstruir su funcionamiento.
- Nunca utilice la nevera cerca de líquidos o vapores inflamables.
- Evite colocar o almacenar la nevera tumbada lateralmente.

5.2 Instalación en un vehículo

5.2.1 Montaje permanente

La nevera ARB se puede montar de forma permanente en una superficie sólida plana con las cuatro inserciones roscadas de la base o con el ARB Solid Mounting Kit (Kit de montaje sólido de ARB). Si la nevera se va a cambiar de sitio frecuentemente, consulte el apartado 5.2.2 (montaje temporal).

Para obtener más información sobre el ARB Solid Mounting Kit consulte las instrucciones suministradas con el kit.

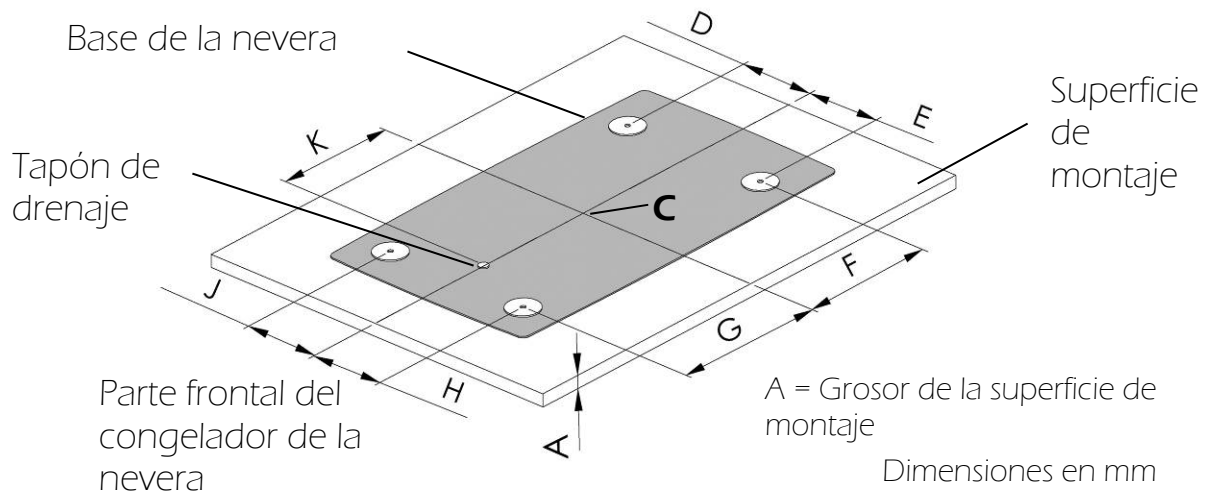
Para montar de forma permanente la nevera con las inserciones roscadas de la base de la nevera:

- Coloque la nevera sobre la superficie de montaje en la ubicación deseada y marque el contorno de la caja.
- Retire la nevera y marque el centro de la caja. El centro se indica con el punto C en la Figura 5a.
- Marque y perforo cuatro orificios de 6,5 mm en la superficie de montaje. Use la Figura 5a como guía.
- Para poder utilizar el tapón de drenaje, marque y perforo un orificio de 13 mm en la superficie de montaje, en el punto indicado en la Figura 5a.
- Retire el perno M6 del centro de cada una de las cuatro patas de goma para exponer las inserciones roscadas. Asegúrese de que la pata de goma permanece en la base de la caja.
- Coloque la nevera sobre la superficie de montaje de forma que los orificios taladrados queden alineados con las inserciones roscadas en la caja.
- Fije la caja en la superficie de montaje con pernos M6, como se indica en la Figura 5b. No supere el par de 3,5 Nm (2,5 lbft) del conjunto de cierre al apretar los pernos M6. ARB recomienda no aplicar ningún sellador de tuercas permanente a las roscas de los pernos.

NOTA:

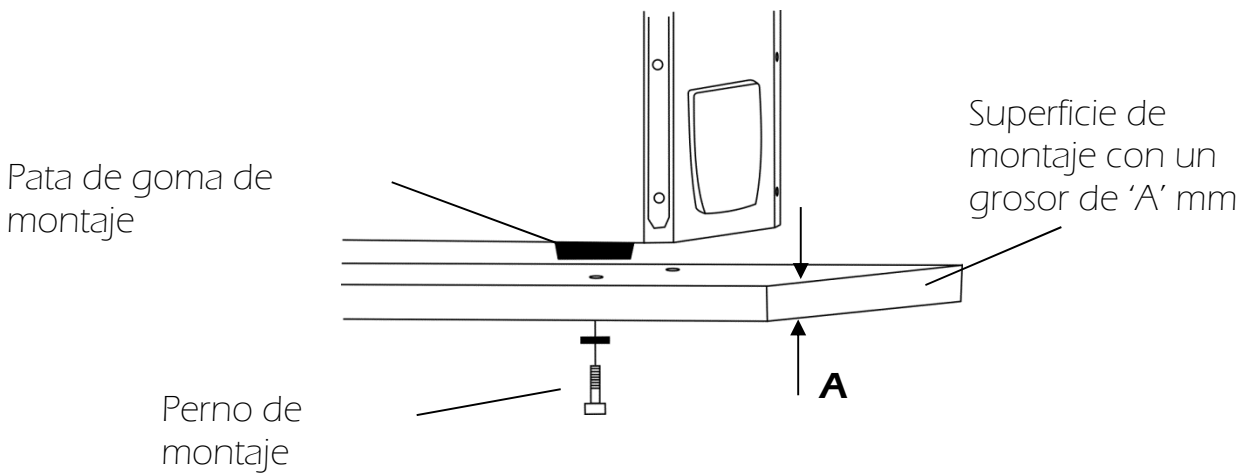
- ***La pata de goma debe montarse entre la base de la caja y la superficie de montaje.***
- ***Si fuera necesario utilizar pernos más largos, hay que usar tornillos de cabeza hueca M6 x 1.0 de alta resistencia, con una calidad mínima de 8,8. Para evitar dañar los componentes eléctricos de la nevera, la longitud de los pernos debe aumentarse únicamente por el grosor de la superficie de montaje (dimensión 'A' en la Figura 5a) más 8 mm para acomodar el retroceso de las patas de goma.***
- ***Al retirar los pernos M6, evite tumbar la nevera lateralmente.***

Figura 5a



Capacidad de la nevera	D	E	F	G	H	J	K
60/63 qz (mm/in)	182/7,2	182/7,2	365/14,4	365/14,4	182/7,2	182/7,2	266/10,5

Figura 5b



5.2.2 Montaje temporal

ARB recomienda utilizar el ARB Tie Down Kit (Kit de amarre de ARB) para montar la nevera en puntos de anclaje sólidos. Este kit incluye una función de desenganche rápido que permite liberar la nevera de la posición de montaje de forma rápida y sencilla.

6 FUNCIONAMIENTO

6.1 Antes de usar la nevera

Antes de encender la nevera por primera vez debe limpiarse su interior y exterior con un paño húmedo. Consulte el capítulo 7, «Limpieza y mantenimiento» para obtener más información sobre el mantenimiento de la nevera.

6.2 Transporte de la nevera

La nevera ARB se suministra con un asa en cada extremo de la caja. Al levantar y desplazar la nevera deben usarse estas asas.

ADVERTENCIA: *NUNCA deben usarse los cierres de la tapa para levantar o desplazar la nevera.*

PRECAUCIÓN: *la nevera deben levantarla siempre como mínimo dos personas, con las técnicas de levantamiento adecuadas.*

6.3 Abrir la nevera

La nevera ARB tiene dos cierres de tapa centrados que proporcionan un cierre efectivo entre la tapa, la caja y el sellado de la tapa.

Para abrir la tapa:

- Coloque la mano bajo el cierre y tire separándolo del cuerpo de la nevera.
- Una vez liberados los cierres, desengánchelos de la tapa y abra la nevera. Vea la figura 6a.

Para cerrar la tapa:

- Coloque cada cierre en su tope correspondiente de la tapa y presione hacia el cuerpo de la nevera.
- Los cierres harán un sonido nítido de clic al cerrarse. Vea la figura 6b.

Figura 6a

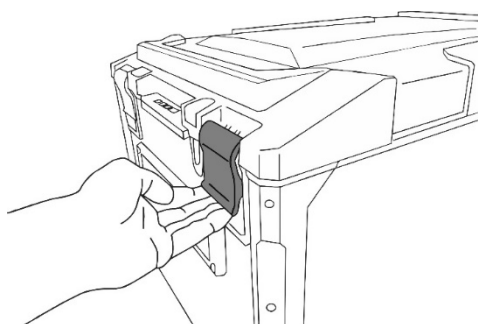
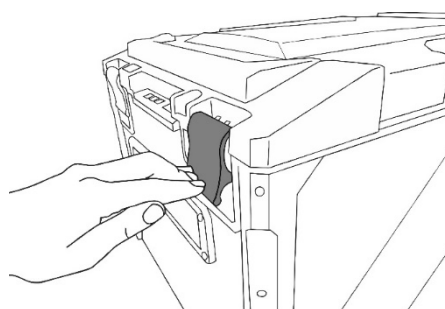


Figura 6b



6.4

6.4 Conexión de la nevera

6.4.1 Conexión a 100-240 VCA

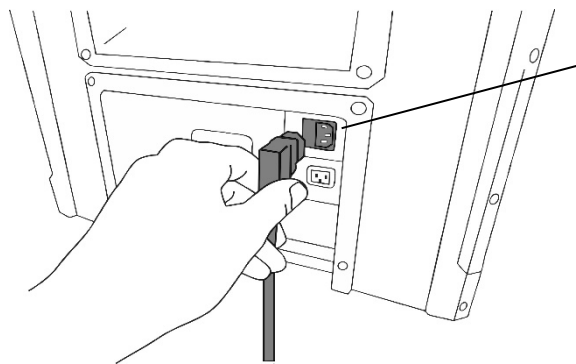
Su nevera ARB puede funcionar con una tensión de corriente alterna de 100 – 240 V. La nevera tiene un circuito de prioridad que da prioridad a la corriente alterna de red eléctrica con respecto a la corriente continua. Si la nevera está conectada a corriente alterna y corriente continua, funcionará exclusivamente con la alimentación de corriente alterna.

NOTA: El indicador luminoso rojo del panel de control puede encenderse cuando se cambia la tensión de alimentación entre corriente alterna y corriente continua.

Para conectar su nevera a una alimentación de 100 - 240 VCA:

- Conecte el cable de alimentación de 100-240 V en la toma de corriente alterna del panel posterior de la nevera, como se indica en la Figura 7.
- Conecte el otro extremo del cable de alimentación a una toma de corriente de 100 -240 VCA.

Figura 7



Toma de corriente de 100-240 VCA

PRECAUCIÓN: no toque nunca los enchufes, cables o interruptores con las manos mojadas o si está sobre una superficie mojada.

PRECAUCIÓN: si utiliza la nevera con una alimentación de 100-240 VCA, debe instalar un disyuntor de corriente residual en el circuito. ARB recomienda pedir asesoramiento a un técnico cualificado.

6.4.2 Conexión a un generador accionado por motor

Tenga en cuenta las indicaciones siguientes antes de conectar su nevera a un generador accionado por motor.

- El generador debe estar equipado con un regulador automático de tensión. Debe suministrar una tensión de corriente alterna de onda sinusoidal pura estándar, sin fluctuaciones de tensión o frecuencia (p. ej., 120 VCA~60 Hz o 240 VCA~50 Hz).
- Al utilizar la salida de corriente continua de su generador hay que conectar una batería de la tensión adecuada (12 o 24 V) entre el generador y la nevera.
- Al arrancar o parar el generador la nevera debe estar apagada.

PRECAUCIÓN: algunos generadores accionados por motor no son adecuados para suministrar alimentación a su nevera.

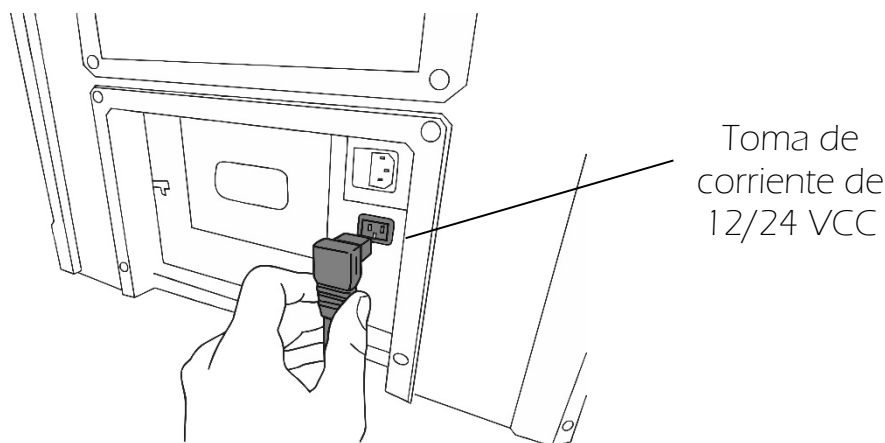
6.4.3 Conexión a 12/24 VCC

La nevera ARB puede funcionar con una corriente continua de 12 V o 24 V. Está equipada con un circuito de control para evitar la inversión de polaridad cuando la unidad está conectada a una batería.

Para conectar la nevera a una alimentación de corriente continua de 12 V o 24 V:

- Conecte el cable de alimentación de 12/24 V en la toma de corriente continua del panel posterior de la nevera, como se indica en la Figura 8.
- Conecte el otro extremo del cable de alimentación a una toma de corriente continua de 12 V o 24 V con un fusible adecuado. Consulte el apartado 6.4.4 para obtener más información sobre cables y fusibles de corriente continua.

Figura 8



6.4.4 Cables necesarios para 12/24 VCC

Para garantizar un rendimiento óptimo de su nevera, es importante que el cableado pueda transportar la carga necesaria. El sistema de cables de accesorios de muchos vehículos no es adecuado para esta tarea.

ARB recomienda instalar un circuito de cables dedicado para suministrar alimentación a la nevera. Este circuito debe ser lo más corto posible y conectarse directamente a la alimentación a través de un fusible de 15 amperios. El juego de cables de corriente continua de ARB proporciona todos los materiales necesarios para este circuito.

Para una instalación de automoción o marina, ARB recomienda conectar el circuito de cables a una fuente de alimentación aislada, como un sistema de batería auxiliar. Esto evitará que se descargue la batería de arranque principal.

Para cables con una longitud de hasta 6 m (20'), ARB recomienda utilizar como mínimo cable de automoción de 6 mm (4,5 mm² / AWG 11).

Para cables con una longitud superior a 6 m (20'), ARB recomienda pedir asesoramiento a un técnico cualificado para determinar el tamaño adecuado del cable.

6.4.5 Toma de corriente de 12/24 VCC

El enchufe del cable de alimentación de 12/24 VCC tiene un extremo extraíble. Con el extremo en la posición indicada en la Figura 9a, este enchufe es adecuado para tomas de corriente de accesorios convencionales de vehículo (como la del encendedor). Con el extremo extraído como se indica en la Figura 9b, este enchufe es adecuado para una toma de corriente auxiliar de 2 polos de ARB.

Figura 9a

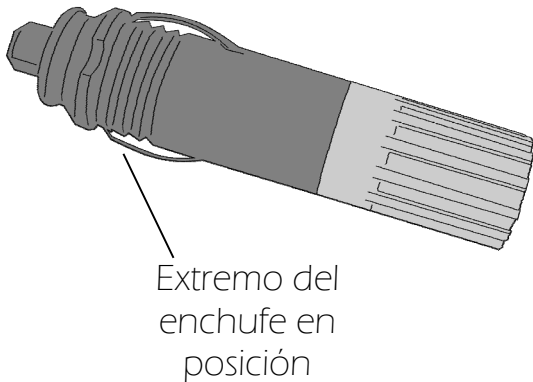
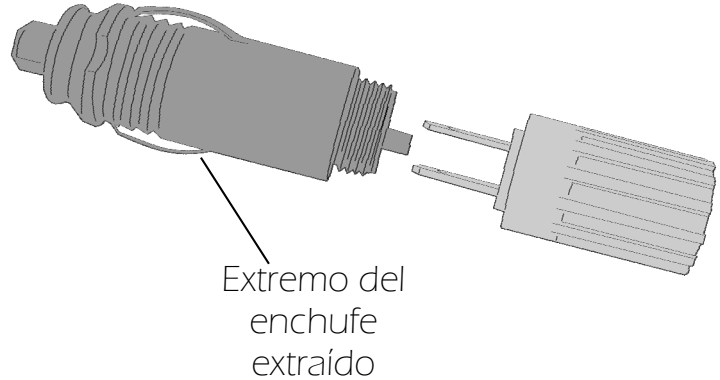


Figura 9b



ARB recomienda encarecidamente utilizar esta conexión de 2 polos para todas las conexiones de 12 VCC y 24 VCC de la nevera. Esto proporcionará una conexión positiva y segura de la fuente de alimentación y la nevera.

Deben tenerse en cuenta las siguientes indicaciones al elegir una ubicación para la toma de corriente auxiliar de la nevera:

- La toma de corriente debe estar situada lo más cerca posible de la nevera.
- Coloque la toma de corriente en un lugar conveniente que permita al usuario conectar y desconectar fácilmente el enchufe.
- La toma de corriente debe estar en un lugar protegido del polvo y la humedad.
- Colóquela en un lugar alto en el vehículo para evitar que se moje en caso de entrada de agua en el vehículo.

NOTA: si se quita el collarín del adaptador o el enchufe, y la nevera está conectada a un circuito de 12 VCC o 24 VCC, se debe incluir un fusible en línea de 15 amperios en el circuito.

6.5 Encendido y apagado de la nevera

Para encender la nevera ARB:

- Abra la tapa
- Presione y mantenga presionado  durante 2 – 3 segundos.

Cuando la nevera está encendida, el indicador luminoso de alimentación se ilumina de color verde.

La pantalla muestra la temperatura actual de la caja.






NOTA: la lectura actual de la caja es una lectura de la temperatura en el centro de la caja. La temperatura en otras partes de la caja puede ser distinta.

Para apagar la nevera:

- Abra la tapa
- Presione y mantenga presionado  durante 2 – 3 segundos.
- Cuando la nevera está apagada, el indicador luminoso de alimentación no está iluminado y la pantalla está vacía.

6.6 Ajuste de la temperatura de la caja

Para establecer la temperatura de la caja de la nevera ARB:




- Abra la tapa y encienda la nevera.
- Presione  una vez para mostrar la temperatura establecida actualmente para la caja.
- Presione  para aumentar un grado la temperatura.
- Presione  para disminuir un grado la temperatura.
- Siga presionando  o  hasta alcanzar la temperatura deseada para la caja.
- Al cabo de 5 o 6 segundos de inactividad, la pantalla parpadeará y volverá a mostrar la temperatura actual de la caja.

NOTA: cuando se alcanza la temperatura establecida, el compresor dejará de funcionar y el indicador luminoso de alimentación cambiará a color naranja.

6.7 Cambiar entre °C y °F

La nevera ARB puede mostrar la temperatura en grados Celsius (°C) o en grados Fahrenheit (°F).


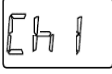

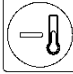
Para cambiar °C y °F en la pantalla:

- Abra la tapa y encienda la nevera.
- Presione  dos veces para mostrar la configuración actual de unidad de temperatura.
- Presione  o  para cambiar entre °C y °F.
- Al cabo de 5 o 6 segundos de inactividad, la pantalla parpadeará y volverá a mostrar la temperatura actual de la caja.

6.8 Cambiar el canal de transmisión

La nevera ARB se puede usar con la pantalla de nevera inalámbrica ARB (se vende por separado) que tiene la opción de utilizar 4 canales de transmisión.

Para cambiar de canal de transmisión:


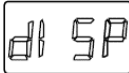


- Abra la tapa y encienda la nevera.
- Presione  cuatro veces para mostrar el canal de transmisión actual (p. ej., ).
- Presione  o  para cambiar entre Ch1, Ch2, Ch3 y Ch4.
- Al cabo de 5 o 6 segundos de inactividad, la pantalla parpadeará y volverá a mostrar la temperatura actual de la caja.

Consulte las instrucciones suministradas con la pantalla de nevera inalámbrica ARB para obtener información sobre su instalación y uso.

6.9 Cambiar el nivel de brillo del panel de control

El nivel de brillo de la pantalla del panel de control de la nevera ARB es ajustable.

Para cambiar el nivel de brillo de la pantalla del panel de control:

- Abra la tapa y encienda la nevera.
- Presione  cinco veces para mostrar la pantalla .
- Presione  o  para cambiar entre los dos niveles de brillo.
- Al cabo de 5 o 6 segundos de inactividad, la pantalla parpadeará y volverá a mostrar la temperatura actual de la caja.

6.10 Mostrar la tensión de alimentación

La nevera ARB puede mostrar la tensión de alimentación suministrada.

Para mostrar la tensión de alimentación:

- Abra la tapa y encienda la nevera.
- Presione  para mostrar la tensión de alimentación.








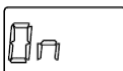
Si la nevera está conectada a corriente continua, se mostrará la tensión de alimentación.

Si está conectada a corriente alterna, se muestra «AC».









6.11 Bloqueo electrónico

La nevera ARB se puede bloquear para impedir el acceso al compartimento de refrigeración y la modificación de los ajustes del panel de control. Este bloqueo se controla a través del panel de control de la parte frontal de la nevera. Si la nevera es nueva, el bloqueo estará desactivado y se tiene que activar antes de su uso.


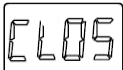
6.11.1 Para activar el bloqueo electrónico


- Abra la tapa y encienda la nevera.
- Presione y mantenga presionado  durante 3-5 segundos.
- Introduzca el código. A menos que se haya modificado, el código predeterminado es    .
- Presione  o  para seleccionar .
- Al cabo de 3-5 segundos de inactividad, la pantalla parpadeará 3 veces y volverá a mostrar la temperatura actual de la caja.

6.11.2 Para desactivar el bloqueo electrónico

- Abra la tapa y encienda la nevera.
- Presione y mantenga presionado  durante 3-5 segundos.
- Introduzca el código. A menos que se haya modificado, el código predeterminado es    .
- Presione  o  para seleccionar .
- Al cabo de 3-5 segundos de inactividad, la pantalla parpadeará 3 veces y volverá a mostrar la temperatura actual de la caja.

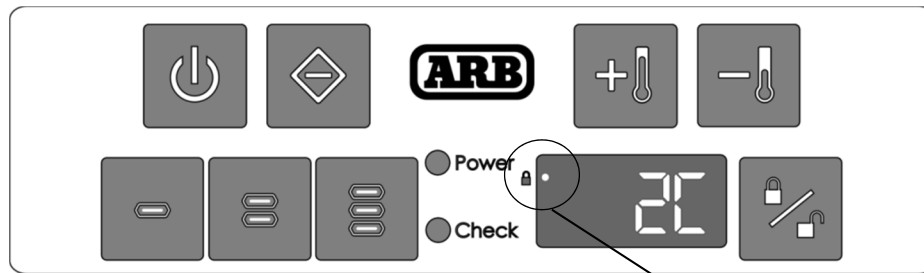
6.11.3 Para bloquear la nevera

- Encienda la nevera y cierre la tapa.
- Presione  para bloquear la nevera.
-  parpadeará 3 veces mientras se bloquea la nevera. Se mostrará un solo punto visible en la esquina superior izquierda para indicar que la nevera está bloqueada, como se puede ver en la Figura 10.

NOTA: Si el bloqueo electrónico no está activado se mostrará .

Si la tapa no está cerrada la nevera no se bloqueará.

Figura 10.



Símbolos de bloqueo

6.11.4 Para desbloquear la nevera

- Presione para desbloquear la nevera.
- Introduzca 4 dígitos a través del panel de control.
- parpadeará 3 veces mientras se desbloquea la nevera.

NOTA: Si se introduce un código incorrecto, se mostrará .

Si el bloqueo electrónico está desactivado se mostrará .

6.11.5 Para cambiar el código de acceso

- Abra la tapa y encienda la nevera.
- Presione y mantenga presionado durante 3 segundos.
- Introduzca un código de 4 dígitos. El código predeterminado es .
- Presione o para seleccionar .
- Espere hasta que se muestre .
- Introduzca un nuevo código de 4 dígitos ; p. ej., . Observe que se muestra un único punto en la esquina superior izquierda para indicar la primera introducción.
- Se volverá a mostrar .
- Vuelva a introducir el nuevo código de 4 dígitos ; p. ej., . Observe que se muestran dos puntos en la esquina superior izquierda para indicar la segunda introducción.

NOTA: Si el código nuevo y la confirmación no coinciden, se mostrará y se pedirá al usuario que los vuelva a introducir.

6.12 Uso del supervisor de carga de batería

La nevera ARB está equipada con un supervisor de carga de batería para controlar el nivel de descarga de la batería. El supervisor de carga de la batería tiene tres ajustes: HIGH (ALTA), MEDIUM (MEDIA) y LOW (BAJA). Si se establece en HIGH, el supervisor de carga de la batería proporcionará la máxima protección contra una descarga excesiva. Si se establece en LOW, el supervisor de carga de la batería permitirá el máximo uso de la energía almacenada en la batería. En la Tabla 1 se muestran los niveles de corte de tensión para los tres ajustes del supervisor de carga de la batería.

Si la nevera puede funcionar sin el encendido del vehículo, el supervisor de carga de la batería hará que la unidad se apague en cuanto la tensión de alimentación caiga por debajo del nivel establecido. La nevera volverá a encenderse automáticamente en cuanto se alcance la tensión de reactivación.

NOTA: cuando el supervisor de carga de la batería está encendido, la unidad de refrigeración (incluido el compresor) no funcionará. El indicador luminoso del panel de control estará apagado y el indicador luminoso de comprobación parpadeará en rojo. La unidad de refrigeración no volverá a activarse hasta que el nivel de tensión de la batería alcance la tensión de reactivación especificada en la Tabla 1.

Tabla 1




	MODO DE SUPERVISOR DE CARGA DE LA BATERÍA		
	LOW (BAJA)	MED (MEDIA)	HIGH (ALTA)
Tensión de desactivación: 12 VCC	10,1 V	11,4 V	11,8 V
Tensión de reactivación: 12 VCC	11,1 V	12,2 V	12,6 V
Tensión de desactivación: 24 VCC	21,5 V	24,1 V	24,6 V
Tensión de reactivación: 24 VCC	23,0 V	25,3 V	26,2 V

Si la nevera está conectada a la batería de inicio en un sistema de 12/24 VCC, ARB recomienda ajustar el nivel del supervisor de carga de la batería en HIGH/MEDIUM.

Si la nevera está conectada a una batería auxiliar en un sistema de 12/24 VCC, ARB recomienda ajustar el nivel del supervisor de carga de la batería en LOW.

NOTA: ARB recomienda cargar la batería cuando se active el supervisor de carga de la batería. ARB también recomienda apagar todos los equipos eléctricos no esenciales que consumen energía de la misma fuente que la nevera hasta que la batería se haya cargado completamente.

Para cambiar el nivel de protección de la batería:

- Abra la tapa y encienda la nevera.
- Presione  tres veces para mostrar el ajuste de protección de la batería actual.
- Presione  o  para cambiar la tensión de protección de la batería entre Alta (HI), Media (nEd) y Baja (Lo).
- Al cabo de 5 o 6 segundos de inactividad, la pantalla parpadeará y volverá a mostrar la temperatura actual de la caja.



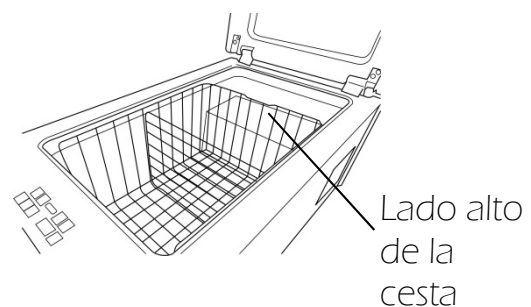
6.13 Uso de la cesta

La nevera ARB se suministra con una cesta de alambre reversible que ayuda a proteger las paredes internas de la caja de la nevera. La cesta se puede instalar con el lado alto contra la parte frontal de la nevera, como se indica en la Figura 11a. Esto permite colocar cosas largas en la parte superior de la caja de la nevera. También se puede cambiar la posición de la cesta de forma que el lado alto quede en el centro de la caja, como se indica en la Figura 11b. Esto proporciona un divisor de altura completa entre las zonas de refrigeración principal y secundaria.

Figura 11a



Figura 11b



Para extraer la cesta de la caja:

- Eleve la cesta verticalmente hasta sacarla de la caja de la nevera. Algunos modelos tienen una cesta fija. En este caso, para extraer la cesta debe liberar el cierre y volver a colocarlo al cambiar la posición de la cesta.

Para volver a insertar la cesta en la caja:

- Deslice la cesta en la caja de la nevera. La cesta queda correctamente colocada cuando su base está en contacto con la base de la caja de la nevera.
- Fije la cesta con el cierre original si es necesario.

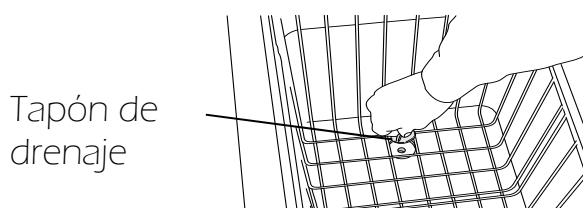
6.14 Divisor de cesta

La nevera ARB incluye un divisor de cesta extraíble que se puede extraer fácilmente elevándolo verticalmente para sacarlo de la cesta. Cuando se vuelva a insertar el divisor de cesta es importante que quede entre las ranuras de los lados de la cesta de alambre. En los modelos que tienen un divisor fijo, el divisor no se debe separar de la cesta.

6.15 Tapón de drenaje

La nevera ARB tiene un tapón de drenaje extraíble en la base de la caja, como se muestra en la Figura 12. Este tapón de drenaje se puede quitar para vaciar líquido de la caja de la nevera.

Figura 12



Para quitar el tapón de drenaje:

- Abra la tapa de la nevera.
- Agarre el tapón de drenaje con los dedos.
- Levante con cuidado el tapón de drenaje para separarlo de la base de la caja.

Para volver a colocar el tapón de drenaje:

- Abra la tapa de la nevera.
- Busque la punta del tapón de drenaje en el sumidero.
- Presione suavemente el tapón de drenaje para que se deslice hacia el sumidero. El tapón de drenaje está en la posición correcta cuando su borde esté en contacto con la base de la caja.

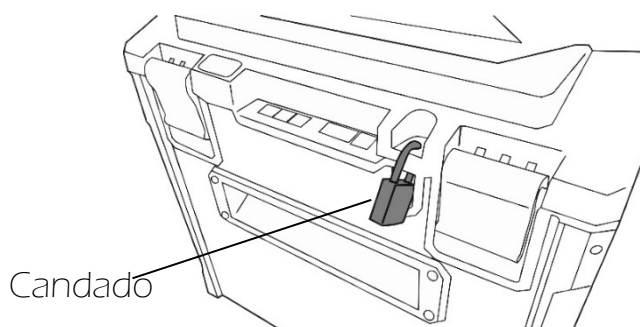
NOTA: es importante volver a colocar el tapón de drenaje antes de utilizar la nevera

6.16 Bloquear la nevera con un candado

La nevera ARB se puede bloquear con un candado para impedir el acceso al compartimento de refrigeración y la modificación de los ajustes del panel de control.

Para bloquear la nevera, coloque un candado entre la tapa y la caja, como se muestra en la Figura 13.

Figura 13.



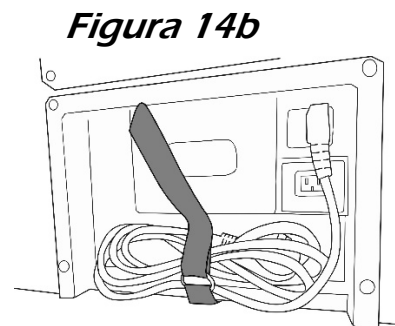
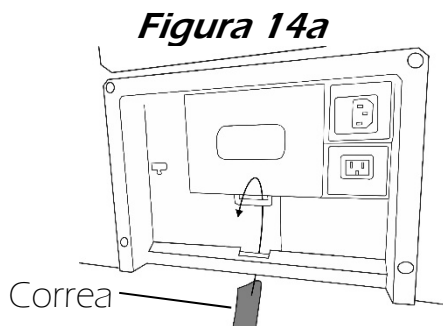
6.17 Correa sujetacables

La nevera ARB se suministra con una correa tejida que se puede usar para sujetar los cables cuando no se están utilizando.

Para colocar la correa:

1. Empezando por abajo, inserte el extremo libre de la correa por los dos puntos de sujeción de la parte posterior de la nevera como se muestra en la Figura 14a.
2. Haga un manojó con los cables y colóquelo entre los puntos de sujeción.
3. Pase el extremo libre de la correa por los cables y a través de la ranura. Tense la correa y fíjela como se muestra en la Figura 14b.

NOTA: Cuando no se use la correa, se puede tensar y almacenar en su posición en la parte posterior de la nevera.



6.18 Consejos para ahorrar energía

Para ayudarle a obtener el máximo rendimiento de su nevera, ARB hace las siguientes recomendaciones.

- Coloque la nevera en una zona ventilada y protegida de la luz solar directa.
- Intente minimizar el número de veces que se abre la nevera.
- No deje la tapa abierta más tiempo del necesario.
- Evite ajustar la temperatura deseada a un valor innecesariamente bajo.
- Desescarche la nevera cuando empiece a acumularse hielo.

6.19 Desescarchar la nevera

De vez en cuando puede acumularse hielo en el interior de la nevera ARB. Esto puede mermar su capacidad interna y su eficiencia térmica. ARB recomienda desescarchar la nevera periódicamente.

Para desescarchar la nevera ARB:

- Extraiga el contenido de la nevera.
- Apague la nevera.
- Abra la tapa para que el aire a temperatura ambiente funda el hielo.
- Retire el tapón de drenaje para vaciar el agua de la caja.
- Seque la caja con un paño suave para eliminar el agua restante.

ADVERTENCIA: No use nunca objetos afilados o puntiagudos para desescarchar la nevera o desincrustar objetos congelados.

6.20 Sustitución del fusible del enchufe (12/24 V)

La nevera está equipada con un fusible que se encuentra en el enchufe de 12/24 VCC.

PRECAUCIÓN: desconecte la nevera de todas las fuentes de alimentación antes de sustituir el fusible del enchufe.

Para sustituir el fusible del enchufe:

- Separe y retire la carcasa superior del cuerpo del enchufe desatornillando el tornillo, como se indica en la Figura 15a.
- Sustituya el fusible defectuoso por otro nuevo de la misma capacidad. La capacidad correcta del fusible es 3AG de 10 amperios. Vea la figura 15b.
- Realice los pasos anteriores en orden inverso para volver a montar el enchufe.

Figura 15a

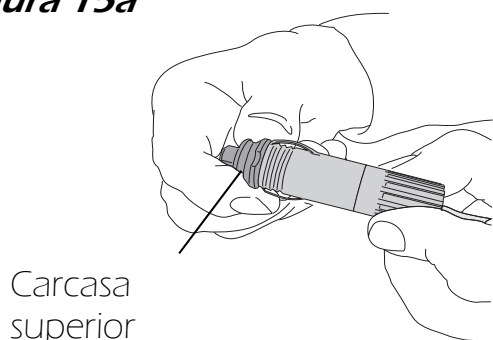
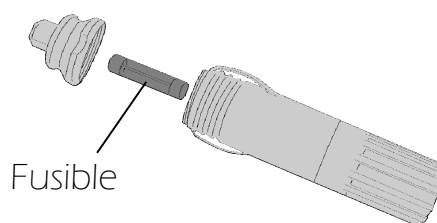


Figura 15b



6.21 Sustitución del fusible de la caja

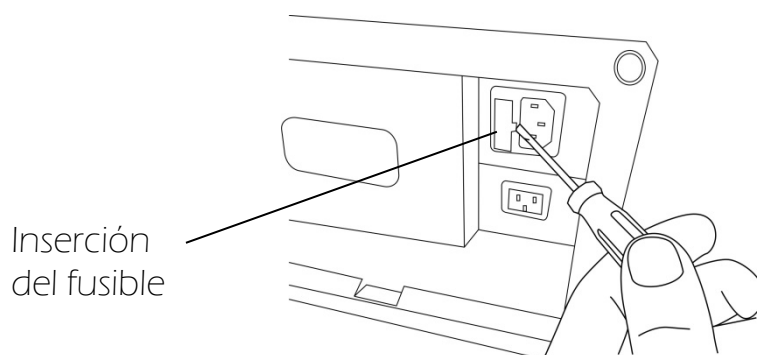
La nevera está equipada con un fusible que se encuentra en la parte posterior de la caja.

PRECAUCIÓN: desconecte la nevera de todas las fuentes de alimentación antes de sustituir el fusible de la caja.

Para sustituir el fusible de la caja:

- Desconecte los cables de alimentación de corriente alterna y corriente continua de las tomas de corriente.
- Extraiga la inserción del fusible del panel posterior de la nevera, como se indica en la Figura 16. Es posible que necesite un destornillador de hoja plana para separar la inserción de su alojamiento.
- Sustituya el fusible defectuoso por otro nuevo de la misma capacidad. La capacidad correcta del fusible es 4A, y su especificación es: F4L250V.
- Vuelva a colocar la inserción del fusible en su alojamiento.

Figura 16a



6.22 Almacenamiento de la nevera

Si va a almacenar la nevera por un período de tiempo prolongado, ARB hace las siguientes recomendaciones.

- Apague la nevera y desconéctela de todas las fuentes de alimentación.
- Extraiga todo lo que haya en el interior salvo la cesta y el divisor de cesta.
- Deje la tapa ligeramente abierta para que fluya el aire al interior de la caja.

SUGERENCIA: para asegurarse de que la tapa permanezca abierta, levántela y coloque cierres en la parte superior de la caja antes de posar suavemente la tapa sobre ellos. Retire el tapón de drenaje para mejorar la ventilación.

7 LIMPIEZA Y MANTENIMIENTO

Para limpiar el interior y el exterior de la nevera use un paño húmedo y agua caliente con detergente doméstico suave y no abrasivo. Las superficies de acero inoxidable se pueden limpiar con un producto limpiador de acero inoxidable de buena calidad. Se pueden eliminar pequeñas rayas y marcas del acero inoxidable con un producto abrillantador de acero inoxidable de buena calidad.

Si la nevera funciona en un entorno polvoriento, ARB recomienda limpiar la superficie exterior periódicamente para evitar que se acumule suciedad y arenilla. En particular, ARB recomienda limpiar habitualmente el entorno de los mecanismos de bisagra y el motor. Para limpiar el entorno del motor, coloque la nevera en una zona bien ventilada y use un aspirador o un chorro de aire comprimido poco intenso.

ADVERTENCIA: el entorno del motor no se debe desmontar en ninguna circunstancia.

Tenga en cuenta las indicaciones siguientes antes de limpiar la nevera.

- Apague siempre la alimentación y desconecte los enchufes de la nevera antes de realizar operaciones de limpieza o mantenimiento de la unidad.
- No use nunca objetos duros ni productos de limpieza abrasivos para limpiar la nevera.
- No use cepillos, estropajos ni herramientas duras o puntiagudas para desescarchar la nevera.
- No limpie la nevera con agua corriente ni con un limpiador de agua a presión.

8 DESECHO

Coloque el material de embalaje en los contenedores de reciclado correspondientes, si es posible.

Cuando vaya a desechar la nevera, consulte con el centro de reciclaje local o con un distribuidor de neveras ARB autorizado los detalles para realizar esta operación en conformidad con las normativas vigentes de eliminación.

9 DATOS TÉCNICOS

Capacidad global, en litros (cuartos de galón)	60 (63)
Tipo	10800050
Categoría	I
Consumo energético anual (KWh/año)	90
Clase climática	N,T
Índice de eficiencia energética (IEE)	A+
Voltaje de conexión (salvo en Norteamérica)	12/24 VCC y 100-240 VCA
Voltaje de conexión en Norteamérica	12/24 VCC y 120 VCA ~ 60 Hz
Corriente nominal	
- 12 VCC	6,8 A
- 24 VCC	3,4 A
- 100-240 VCA	1,0 – 0,5 A
- 120 VCA	1,0 A
Capacidad de refrigeración	+ 10 °C a -18 °C (+50 °F a 0 °F)
Temperatura ambiente	+16 °C a +43 °C (+70 °F a +109 °F)
Peso neto - Kg (lb)	32 (70)
Ruido (dbA)	50
Refrigerante - R134a - g (oz)	58 (2,0)
Dimensiones externas - mm (in) - Figura 17a	
- Altura1 (H1)	435 (17,3)
- Ancho1 (W1)	490 (19,3)
- Profundidad1 (D1)	820 (32,3)
Dimensiones internas - mm (in) - Figura 17b	
- Altura2 (H2)	332 (13,1)
- Altura3 (H3)	144 (5,7)
- Ancho2 (W2)	355 (14,0)
- Profundidad2 (D2)	477 (18,8)
- Profundidad3 (D3)	633 (24,9)

Nota: La capacidad máxima de refrigeración es de 50 °C (122 °F) menos que la temperatura ambiente. Si la temperatura ambiente es superior a 32 °C (90 °F), no se podrá alcanzar la temperatura mínima.

Figura 17a

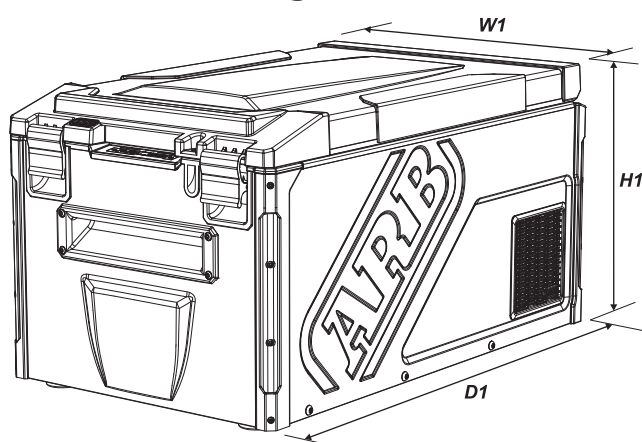
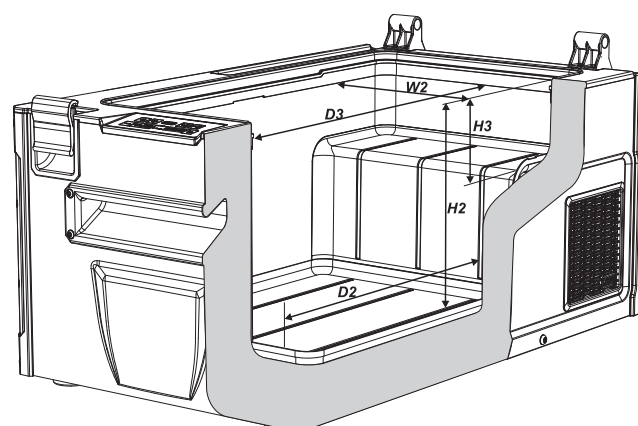


Figura 17b



Este dispositivo no contiene CFC. El circuito de refrigeración contiene R134a. La remoción o recarga de refrigerante debe realizarla únicamente un técnico de refrigeración autorizado.

10 GARANTÍA

ARB garantiza que los productos ARB no tienen defectos de fabricación ni de materiales durante el período de garantía. Si se detectaran defectos de fabricación o materiales durante el período de garantía, ARB sustituirá o reparará el producto defectuoso.

Los beneficios ofrecidos al cliente por esta garantía se suman a otros derechos y recursos del cliente en virtud de la normativa correspondiente a los productos o servicios relacionados con la garantía.

- 1) En esta garantía:
 - **ARB** se refiere a ARB Corporation Limited (ABN 31 006 708 756) de 42-44 Garden St, Kilsyth Victoria 3137
 - **Punto de venta ARB** se refiere a un punto de venta autorizado para vender e instalar Productos ARB
 - **Producto ARB** se refiere a productos fabricados por ARB o de los que ARB es suministrador exclusivo
 - **Información del producto** se refiere a la información sobre el Producto ARB correspondiente, que se puede obtener en la documentación suministrada con los productos ARB, el manual del propietario, el manual de funcionamiento, el manual de mantenimiento del manual del fabricante o en etiquetas fijadas al Producto ARB
 - **Período de garantía** se refiere, para cualquier Producto ARB, al período de vigencia de esta garantía contra defectos, según lo establecido en las tablas del párrafo 8.
- 2) Para tener derecho a la garantía, el cliente debe:
 - a) instalar el Producto ARB en conformidad con la Información del producto
 - b) llevar a cabo las tareas normales de cuidado y mantenimiento del Producto ARB, incluidas las especificadas en la Información del producto.
 - c) proporcionar una prueba de compra del Producto ARB
 - d) realizar la reclamación dentro del Período de garantía
- 2) La garantía no se aplicará en los casos en que el defecto se deba a:
 - a) uso inusual, incorrecto o negligente (o uso inadecuado) del producto ARB
 - b) instalación incorrecta del Producto ARB realizada por un punto de venta que no sea un Punto de venta ARB.
 - c) carga del Producto ARB con un peso superior al especificado en la Información del producto
 - d) uso de componentes distintos de los componentes ARB genuinos en (o con) el Producto ARB
 - e) uso en vehículos con modificaciones no aprobadas en la Información del producto o en un Punto de venta ARB en el momento de realizar la instalación
 - f) uso en carreras o competición
 - g) uso del Producto ARB que no cumpla los requisitos de la Información del producto
- 3) El procedimiento que debe seguir un cliente para hacer una reclamación de la garantía es:
 - a) Devolver el Producto ARB al Punto de venta ARB más cercano o ponerse en contacto con ARB para concertar una cita para llevar un vehículo equipado con el Producto ARB a un Punto de venta ARB para la inspección del producto. Los datos de contacto se especifican en el párrafo 7 más abajo (si fuera necesaria más información sobre los datos de contacto del punto de venta local)
 - b) Proporcionar una prueba de compra del Producto ARB al Punto de venta ARB.
 - c) ARB revisará el producto ARB y determinará si se cumplen las condiciones de la garantía
- 4) Si ARB acepta la reclamación de garantía del cliente, se hará cargo de los gastos de reparación de los defectos de mano de obra o materiales.
- 5) El cliente deberá hacerse cargo de los gastos que haya tenido que realizar para reclamar la garantía.
- 6) Esta garantía la proporciona:

ARB Corporation Limited
42-44 Garden Street Kilsyth VIC 3137, Australia
Teléfono: 03 9761 6622
Fax: 03 9721 9090
www.arb.com.au
- 7) El período en que debe aparecer un defecto en los Productos ARB para que el cliente tenga derecho a reclamar la garantía es de 3 años desde la fecha de compra, a menos que:
 - a) Se dé al Producto ARB un Uso comercial. Uso comercial se refiere a un uso industrial o comercial que incluye (sin limitaciones) el uso en el sector minero o en un vehículo de alquiler. En este caso el Período de garantía es de 1 año o 20 000 km (el menor de los dos), o un tercio del período o la distancia especificados en la tabla, desde la fecha de compra.
- 8) La garantía contra defectos incluida en este documento reemplaza cualquier otra garantía contra defectos o garantía voluntaria proporcionada para los Productos.

Nuestros productos contienen garantías que no se pueden excluir ante la ley australiana de clientes. Tiene derecho a una sustitución o un reembolso en caso de avería grave, y a una compensación por otras pérdidas o daños previsibles que sean razonables. También tiene derecho a la reparación o sustitución de los productos si su calidad no fuera aceptable o si la avería no fuera grave.

11 SOLUCIÓN DE PROBLEMAS

La siguiente lista de comprobación le ayudará a identificar la causa de posibles problemas de la nevera. Si tras repasar esta lista de comprobación aún no estuviera seguro de cuál es la causa de la avería, póngase en contacto con el servicio de reparación de neveras ARB más cercano.

1. La nevera ha dejado de funcionar. El indicador luminoso de alimentación no se enciende.

1.1 Las conexiones de los cables de alimentación pueden estar flojas o sucias en el extremo de la nevera o en el de la toma de corriente.

- Compruebe que las conexiones de los cables de alimentación de la nevera no estén flojas o se hayan desconectado.
- Compruebe si los contactos eléctricos están sucios; esto impediría el flujo de tensión total a la nevera.

1.2 El fusible del cable de 12/24 VCC puede estar fundido.

- Compruebe el fusible del cable de 12/24 VCC y reemplácelo si es necesario. Consulte el apartado 6.20.

1.3 El fusible de la caja puede estar fundido.

- Compruebe el fusible de la caja y reemplácelo si es necesario. Consulte el apartado 6.21.

2. El compresor de la nevera ha dejado de funcionar. El indicador luminoso de alimentación se ilumina de color naranja.

2.1 La nevera ha alcanzado la temperatura deseada para la caja.

- La nevera funciona correctamente. No es necesario realizar ninguna acción.

3. La nevera ha dejado de funcionar. El indicador luminoso de alimentación está apagado y el indicador luminoso de comprobación ROJO parpadea.

3.1 El sistema de protección de la batería interna ha hecho que la nevera se apague porque la tensión de la batería es baja.

- La nevera volverá a encenderse automáticamente en cuanto se alcance la tensión de reactivación. Consulte el apartado 6.12 para ver las tensiones de apagado y reactivación.

4. La nevera no enfría o ha dejado de funcionar. El indicador luminoso de alimentación se ilumina de color verde.

4.1 Puede haber un fallo interno en la nevera.

- Esto solo lo puede reparar un técnico de mantenimiento de neveras ARB autorizado.

5. El panel de control muestra un mensaje de error (p. ej., «ERR1», «ERR2» o «ERR3») y la nevera no enfría.

5.1 Es posible que la nevera se haya apagado a causa de un fallo interno.

- Esto solo lo puede reparar un técnico de mantenimiento de neveras ARB autorizado.

6. Si la nevera está conectada a un circuito de cables de un vehículo y el vehículo está en marcha, a veces puede estremecerse o dejar de funcionar.**6.1 Es posible que haya una pérdida de tensión en el sistema de cables del vehículo.**

- Esto se puede confirmar realizando una lectura de tensión en el extremo del cable de alimentación de la nevera con la nevera en funcionamiento. Si la lectura es inferior a 11,8 voltios (12 VCC) o 24,1 voltios (24 VCC) significa que hay que revisar el sistema de cables.
- Si es necesario, actualice el circuito de cables del vehículo con la información del apartado 6.4.4 como guía.

7. La nevera se apaga y se enciende, o funciona de forma irregular**7.1 El sistema de protección de la batería interna puede hacer que la nevera se apague cuando la tensión de la batería es baja.**

- Compruebe si el suministro de tensión en el enchufe de la nevera ha caído por debajo de la tensión de apagado indicada en el apartado 6.12. Se debe realizar la lectura de tensión en el enchufe de la nevera, ya que suele haber una pérdida de uno o dos voltios entre la fuente de alimentación (batería) y el enchufe de la nevera.
- Puede ser necesario sustituir la batería del vehículo o actualizar los cables de conexión de la nevera. Consulte el apartado 6.4.4 para ver los detalles de los requisitos de cables.

8. La nevera funciona demasiado tiempo y no refrigera bien.**8.1 El buen funcionamiento de la nevera, especialmente cuando la temperatura ambiente es alta, depende de que haya una buena circulación de aire por las ranuras de refrigeración de la nevera.**

- Compruebe que las ranuras de ventilación no estén obstruidas y que haya espacio suficiente en torno a la nevera para una buena circulación de aire. Consulte el apartado 5.1 para obtener más información.

9. Cuando la tapa de la nevera está abierta el indicador luminoso de la caja no se enciende.**9.1 Es posible que la nevera no esté conectada a una fuente de alimentación adecuada.**

- Compruebe la conexión entre la fuente de alimentación y la nevera.

9.2 Es posible que la nevera no esté encendida en el panel de control.

- Encienda la nevera en el panel de control.

Veillez lire attentivement ce manuel d'utilisation et d'entretien avant de mettre en marche votre réfrigérateur ARB pour la première fois. Il convient de conserver ce manuel dans un endroit sûr, accompagné d'une copie de votre facture.

SOMMAIRE

1	INTRODUCTION	81
2	DÉTAILS DU CONTENU	81
3	CONSIGNES DE SÉCURITÉ	82
3.1	Sécurité générale	82
3.2	Utilisation en toute sécurité du réfrigérateur	82
4	PRÉSENTATION DE VOTRE RÉFRIGÉRATEUR ARB	83
5	INSTALLATION	84
5.1	Installation générale	84
5.2	Installation dans un véhicule	85
5.2.1	Montage permanent	85
5.2.2	Montage temporaire	86
6	UTILISATION	87
6.1	Avant utilisation	87
6.2	Transport de votre réfrigérateur	87
6.3	Ouverture de votre réfrigérateur	87
6.4	Branchement de votre réfrigérateur	88
6.4.1	Branchement au 100-240 VCA	88
6.4.2	Branchement à un groupe électrogène	88
6.4.3	Branchement au 12/24 VCC	89
6.4.4	Exigences relatives au câblage 12/24 VCC	89
6.4.5	Prise d'alimentation 12/24 VCC	90
6.5	Mise en marche et arrêt du réfrigérateur	91
6.6	Réglage de la température de consigne du bac	91
6.7	Sélection °C ou °F	91
6.8	Changement de canal de transmission	92
6.9	Modification de la luminosité du panneau de commande	92
6.10	Affichage de la tension d'alimentation	92
6.11	Verrouillage électronique	93
6.11.1	Pour activer le verrouillage électronique	93
6.11.2	Pour désactiver le verrouillage électronique	93
6.11.3	Pour verrouiller le réfrigérateur	93
6.11.4	Pour déverrouiller le réfrigérateur	94
6.11.5	Pour modifier le code d'accès	94
6.12	Utilisation du moniteur de batterie	95
6.13	Utilisation du panier	96
6.14	Diviseur de panier	97
6.15	Bouchon de vidange	97
6.16	Verrouillage du réfrigérateur avec un cadenas	97
6.17	Sangle pour câble	98
6.18	Conseil pour économiser l'énergie	98
6.19	Dégivrage de votre réfrigérateur	98
6.20	Remplacement du fusible de la fiche (12/24 V)	99
6.21	Remplacement du fusible du caisson	99
6.22	Entreposage de votre réfrigérateur	100
7	NETTOYAGE ET ENTRETIEN	100
8	MISE AU REBUT	100
9	CARACTERISTIQUES TECHNIQUES	101
10	GARANTIE	102
11	DÉPANNAGE	103

1 INTRODUCTION

Nous vous félicitons pour votre achat d'un réfrigérateur ARB. Votre réfrigérateur ARB a été spécialement conçu pour les conditions difficiles du tout-terrain et sa principale fonction est le rafraîchissement des aliments et des boissons. Au besoin, il peut également être utilisé comme congélateur. En suivant les instructions et directives figurant dans le présent document, vous aurez la garantie de bénéficier des performances maximales et d'une fiabilité à long terme de votre nouveau réfrigérateur.

Votre réfrigérateur ARB est conçu pour fonctionner sur l'alimentation électrique 12 VCC ou 24 VCC d'un véhicule, d'un bateau ou d'une caravane. Il peut également être branché sur le secteur électrique 100-240 VCA en utilisant le convertisseur d'énergie intégré.

ATTENTION - Si vous souhaitez garder au frais des médicaments, veuillez vérifier si la capacité de refroidissement du réfrigérateur est adaptée à cet usage.

2 DÉTAILS DU CONTENU

Votre réfrigérateur ARB a été livré avec les éléments suivants. Veuillez contacter votre revendeur de réfrigérateur ARB local si l'un de ces articles est manquant.

<i>ARTICLE</i>	<i>QUANTITÉ</i>
<i>Réfrigérateur ARB</i>	<i>1</i>
<i>Panier réversible</i>	<i>1</i>
<i>Diviseur de panier</i>	<i>1</i>
<i>Câble d'alimentation 12/24 VCC</i>	<i>1</i>
<i>Câble d'alimentation 100-240 VCA</i>	<i>1</i>
<i>Sangle pour câble</i>	<i>1</i>
<i>Manuel d'utilisation et d'entretien</i>	<i>1</i>

3 CONSIGNES DE SÉCURITÉ

3.1 Sécurité générale

Pour la sécurité de toutes les personnes qui utiliseront votre réfrigérateur, ARB vous recommande de prendre note des points de sécurité générale suivants :

- Veillez toujours à ce que la tension d'alimentation du réfrigérateur soit correcte et respectez la polarité.
- Ne branchez pas votre réfrigérateur à un chargeur de batterie, un convertisseur CA/CC ou un redresseur.
- Débranchez le réfrigérateur de la batterie avant d'utiliser un chargeur de batterie rapide.
- N'utilisez pas de matériels tranchants, abrasifs ou corrosifs pour nettoyer ou dégivrer le réfrigérateur.
- Les enfants doivent être surveillés lorsqu'ils utilisent le réfrigérateur.
- Cet appareil peut être utilisé par des enfants âgés de 8 ans et plus et par des personnes ayant des capacités physiques, sensorielles ou intellectuelles réduites ou encore sans expérience ni connaissances, s'ils sont sous surveillance ou bien s'ils ont été informés quant à l'utilisation sûre de l'appareil, et s'ils comprennent les risques impliqués. Les enfants ne doivent pas jouer avec l'appareil. Le nettoyage et l'entretien ne doivent pas être effectués par des enfants laissés sans surveillance.
- Si le câble d'alimentation est endommagé, il doit être remplacé avant d'utiliser le réfrigérateur.
- Débranchez votre réfrigérateur de toutes les sources d'alimentation électrique avant toute opération de nettoyage ou d'entretien.
- Ne stockez pas de liquides ou gaz inflammables dans ou à proximité de votre réfrigérateur.
- N'ouvrez pas le circuit de réfrigérant et ne le touchez pas.
- Ne retirez et ne modifiez aucun des composants électriques.
- Ne stockez et ne transportez pas de matières caustiques ou à base de solvant dans le réfrigérateur.
- N'utilisez pas votre réfrigérateur s'il présente des signes de dommage visibles.
- Ne faites réviser votre réfrigérateur que par un réparateur agréé de réfrigérateur ARB.
- Ne stockez pas des substances explosives comme les aérosols avec un propulseur inflammable dans cet appareil.
- Cet appareil est conçu pour être utilisé dans des applications ménagères et similaires, comme :
 - Cuisine du personnel dans les magasins, bureaux et autres lieux de travail.
 - Gîtes ruraux et clients des hôtels, motels et autres environnements de type résidentiel.
 - Environnements de type maison d'hôte.
 - Applications telles que les services de traiteur et similaires autres que la vente au détail

3.2 Utilisation en toute sécurité du réfrigérateur

Pour un fonctionnement sécurisé de votre réfrigérateur, ARB vous recommande de prendre note des points de sécurité suivants :

- Assurez-vous qu'il existe toujours une ventilation suffisante autour du réfrigérateur pour éviter la surchauffe. Reportez-vous au paragraphe 5.1 pour plus d'informations.
- Ne touchez pas la coque métallique intérieure du réfrigérateur avec des mains mouillées.
- Ne placez pas votre réfrigérateur à proximité d'une flamme nue ou d'autres sources de chaleur (radiateurs, feux de camp, fours à gaz etc.).
- Ne remplissez pas le bac de votre réfrigérateur de la glace ou de liquide.
- Ne placez pas d'appareils électriques à l'intérieur de votre réfrigérateur.
- N'utilisez pas votre réfrigérateur si vous soupçonnez que le système électrique a été exposé à l'eau.
- N'utilisez pas votre réfrigérateur s'il a été immergé dans l'eau.

4 PRÉSENTATION DE VOTRE RÉFRIGÉRATEUR ARB

Les Figures 1 à 4 ci-dessous représentent les principaux composants de votre réfrigérateur ARB.

Figure 1 – Avant du réfrigérateur

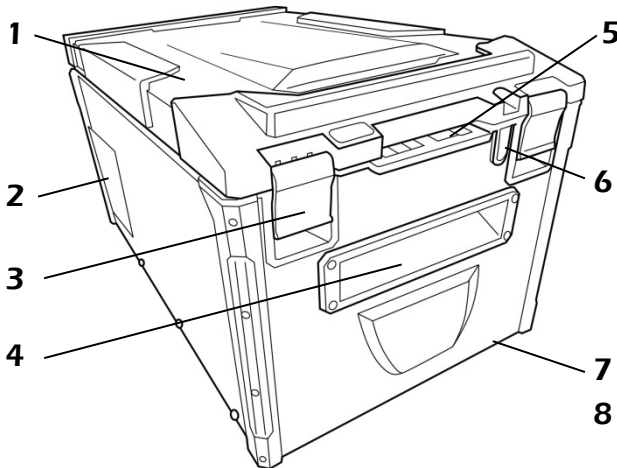


Figure 2 – Arrière du réfrigérateur

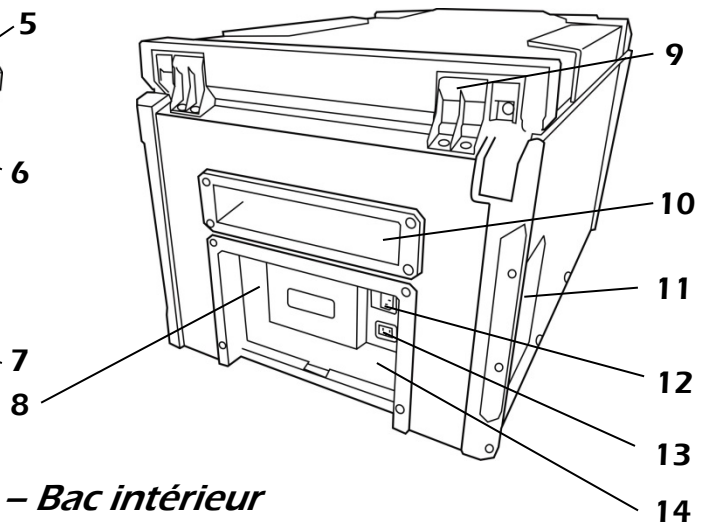
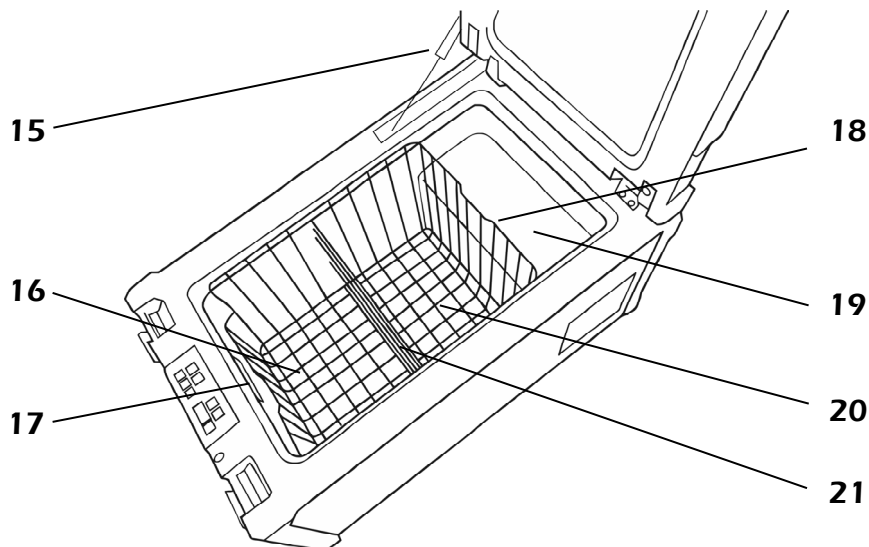
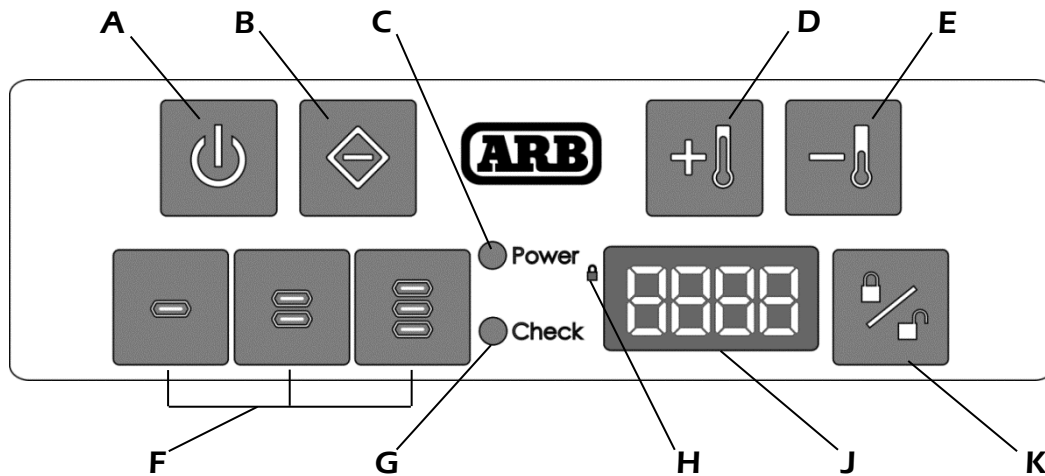


Figure 3 – Bac intérieur



- | | |
|--------------------------------------|---|
| 1. Couvercle | 12. Prise d'alimentation 100-240 VCA |
| 2. Orifice de refroidissement gauche | 13. Prise d'alimentation 12/24 VCC |
| 3. Verrou du couvercle x 2 | 14. Plaque de conformité et numéro de série |
| 4. Poignée de transport avant | 15. Vérin à gaz |
| 5. Tableau de commande | 16. Bouchon de vidange |
| 6. Position du cadenas | 17. Lampe à LED du bac |
| 7. Pied en caoutchouc x 4 | 18. Panier réversible |
| 8. Prise pour émetteur sans fil | 19. Bac de refroidissement secondaire |
| 9. Charnière x 2 | 20. Bac de refroidissement principal |
| 10. Poignée de transport arrière | 21. Diviseur de panier |
| 11. Orifice de refroidissement droit | |

Figure 4 - Panneau de commande



- | | |
|--|--|
| A. Touche Marche/Arrêt | F. Touches de verrouillage électronique |
| B. Touche de fonction | G. Témoin à LED Check |
| C. Témoin à LED Power* | H. Symbole de verrouillage |
| D. Touche d'augmentation de la température | J. Afficheur |
| E. Touche de diminution de la température | K. Touche de verrouillage/déverrouillage |

* La LED Power est verte lorsque le compresseur est en fonctionnement. La LED Power est orange lorsque le compresseur n'est pas en fonctionnement (par exemple lorsque le réfrigérateur a atteint sa température de consigne).

5 INSTALLATION

5.1 Installation générale

Il convient de tenir compte des points suivants en choisissant le lieu d'installation de votre réfrigérateur ARB.

- Un dégagement minimum de 50 mm doit être maintenu de tous les côtés du réfrigérateur.
- Que l'installation soit permanente ou temporaire, le réfrigérateur doit être fixé à des points d'ancrage sécurisés.
- La position de montage idéale du réfrigérateur est sur une surface horizontale plane. Si le réfrigérateur risque d'être soumis à des inclinaisons latérales (par exemple la houle sur un bateau), il peut supporter un angle d'inclinaison latéral de 30°.
- Évitez de placer le réfrigérateur à proximité d'objets tranchants ou chauds.
- Évitez de placer le réfrigérateur à proximité d'objets non fixés qui pourraient tomber sur le caisson et gêner son fonctionnement.
- Ne faites jamais fonctionner le réfrigérateur à proximité de liquides inflammables ou de vapeurs.
- Évitez de tourner ou de stocker votre réfrigérateur sur le côté.

5.2 Installation dans un véhicule

5.2.1 Montage permanent

Votre réfrigérateur ARB peut être installé à demeure sur une surface plane et robuste en utilisant les quatre inserts taraudés dans sa base ou le Kit de montage fixe ARB. Si votre réfrigérateur est sujet à être enlevé régulièrement, veuillez vous reporter au paragraphe 5.2.2 (montage temporaire).

Pour plus d'informations sur le Kit de montage fixe ARB, reportez-vous aux instructions fournies avec le kit.

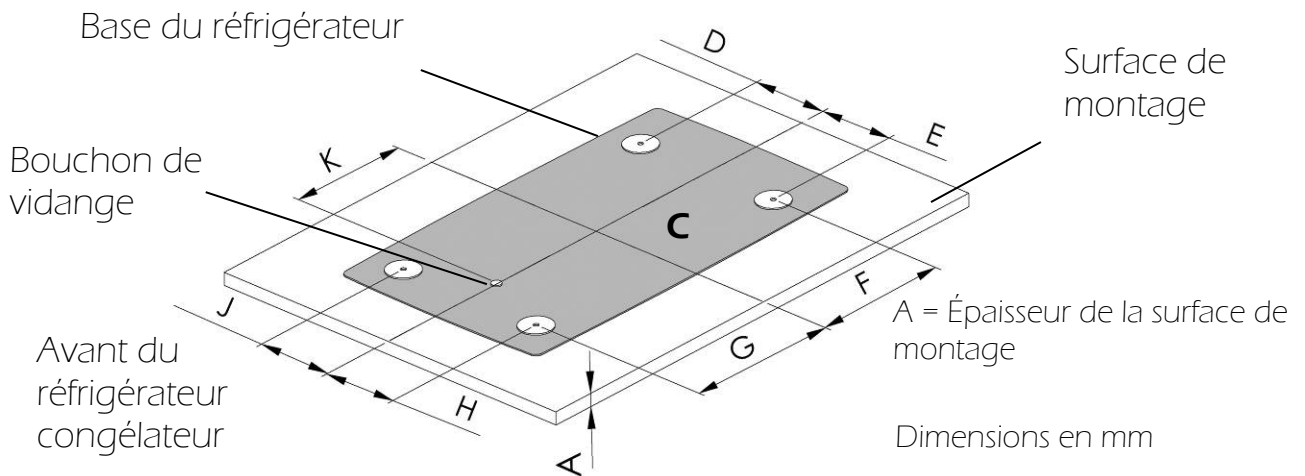
Pour un montage à demeure du réfrigérateur en utilisant les inserts taraudés dans sa base :

- Positionnez le réfrigérateur sur la surface de montage à l'endroit désiré et tracez le contour du caisson.
- Retirez le réfrigérateur et tracez le centre du caisson. Le centre est indiqué par le point C dans la Figure 5a.
- Tracez et percez quatre trous de 6,5 mm dans la surface de montage en utilisant comme guide le diagramme de la Figure 5a.
- Pour pouvoir utiliser le bouchon de vidange, tracez et percez un trou de 13 mm dans la surface de montage à l'endroit indiqué dans la Figure 5a.
- Enlevez le boulon M6 du centre de chacun des quatre pieds en caoutchouc pour exposer les inserts filetés. Veillez à ce que les pieds en caoutchouc demeurent dans la base du caisson.
- Positionnez le réfrigérateur sur la surface de montage de manière à ce que les trous percés coïncident avec les inserts filetés dans le caisson.
- Fixez le caisson à la surface de montage à l'aide de boulons M6 comme illustré dans la Figure 5b. Ne dépassez pas un couple de serrage de 3,5 Nm (2,5 lbft) lorsque vous serrez les boulons M6. ARB recommande de ne pas appliquer de vernis à filet permanent sur le filetage du boulon.

REMARQUE :

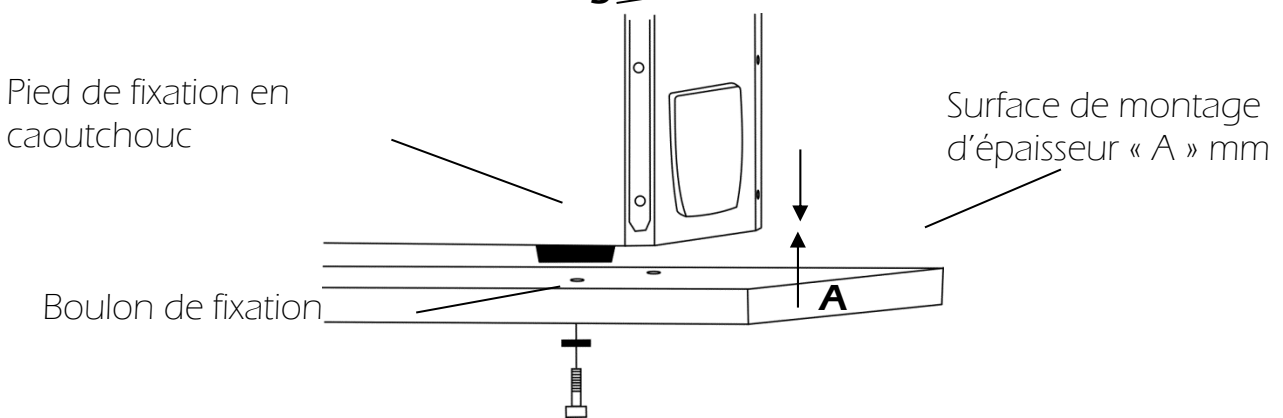
- ***Les pieds en caoutchouc doivent être parfaitement ajustés entre la base du caisson et la surface de montage.***
- ***Si des boulons plus longs sont nécessaires, il faut utiliser des vis à six pans creux M6 x 1,0 à haute résistance à la traction ayant une nuance d'acier minimale de 8,8. Pour éviter d'endommager les composants électriques dans le réfrigérateur, la longueur des boulons doit seulement être augmentée de l'épaisseur de la surface de montage (cote « A » dans la Figure 5a) plus 8 mm de jeu pour l'évidement dans les pieds en caoutchouc.***
- ***Évitez de basculer le réfrigérateur sur le côté lorsque vous retirez les boulons M6.***

Figure 5a



Capacité du réfrigérateur	D	E	F	G	H	J	K
60/63 qz (mm/in)	182/7,2	182/7,2	365/14,4	365/14,4	182/7,2	1820/7,2	266/10,5

Figure 5b



5.2.2 Montage temporaire

ARB recommande d'utiliser le Kit d'arrimage ARB pour monter le réfrigérateur à des points d'ancrage fixes. Ce kit contient un dispositif de libération rapide qui permet de libérer rapidement et facilement le réfrigérateur de sa position de montage.

6 UTILISATION

6.1 Avant utilisation

Avant de mettre votre réfrigérateur en marche pour la première fois, il convient de le nettoyer à l'intérieur et à l'extérieur avec un chiffon humide. Reportez-vous au chapitre 7 « Nettoyage et entretien » pour plus d'informations sur l'entretien de votre réfrigérateur.

6.2 Transport de votre réfrigérateur

Votre réfrigérateur ARB est livré avec une poignée à chaque extrémité du caisson. Il convient d'utiliser ces poignées pour soulever et déplacer le réfrigérateur.

AVERTISSEMENT - Les verrous du couvercle ne doivent JAMAIS être utilisés pour soulever ou déplacer le réfrigérateur.

ATTENTION - Il convient de toujours soulever le réfrigérateur au moins à deux en utilisant les techniques de levage correctes.

6.3 Ouverture de votre réfrigérateur

Votre réfrigérateur ARB est équipé de deux verrous de couvercle décentrés qui assurent une fermeture totale entre le couvercle, le bac et le joint de couvercle.

Pour ouvrir le couvercle :

- Placez votre main sous chaque verrou et tirez-le à l'opposé du corps du réfrigérateur.
- Une fois libérés, décrochez les verrous du couvercle et ouvrez le réfrigérateur. Voir la Figure 6a.

Pour fermer le couvercle :

- Positionnez chaque verrou sur les loquets dans le couvercle et pressez en direction du corps du réfrigérateur.
- Les verrous émettront un bruit d'encliquetage en se fermant. Voir la Figure 6b.

Figure 6a

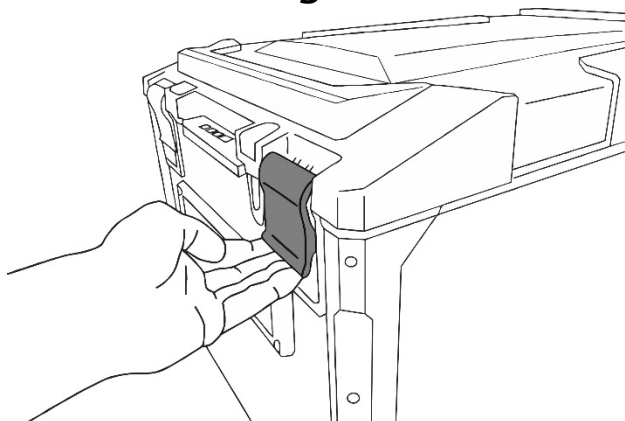
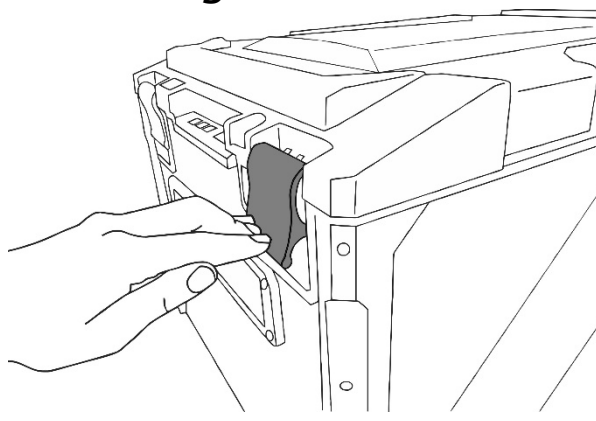


Figure 6b



6.4 Branchement de votre réfrigérateur

6.4.1 Branchement au 100-240 VCA

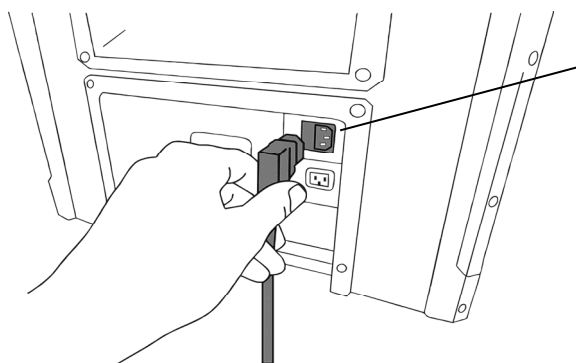
Votre réfrigérateur ARB peut fonctionner sur une tension alternative de 100–240 V. Le réfrigérateur est doté d'un circuit prioritaire qui donne la priorité à l'alimentation CA par rapport à l'alimentation CC. Si le réfrigérateur est branché à la fois sur une alimentation CA et CC, il fonctionnera uniquement sur l'alimentation CA.

REMARQUE : La LED rouge sur le panneau de commande peut s'allumer brièvement au moment de la commutation de la tension d'alimentation entre CA et CC.

Pour brancher votre réfrigérateur à une alimentation CA de 100–240 V :

- Branchez le câble d'alimentation 100-240 V dans la prise d'alimentation CA en face arrière du réfrigérateur comme illustré dans la Figure 7.
- Branchez l'extrémité libre du câble d'alimentation à une alimentation électrique de 100–240 VCA.

Figure 7



Prise d'alimentation
100-240VCA

ATTENTION – Ne manipulez jamais les fiches, les câbles ou les commutateurs avec les mains mouillées ou lorsque vous vous tenez sur une surface mouillée.

ATTENTION – Si vous alimentez votre réfrigérateur en 100-240 VCA, un disjoncteur différentiel doit être installé dans le circuit. ARB conseille de demander l'avis d'un technicien qualifié.

6.4.2 Branchement à un groupe électrogène

Tenez compte des points suivants avant de brancher votre réfrigérateur à un groupe électrogène.

- Le générateur doit être équipé d'un régulateur de tension automatique. Il doit délivrer une tension alternative standard, purement sinusoïdale, sans fluctuation de tension ou de fréquence (par exemple 120 VCA~60 Hz ou 240 VCA~50 Hz).
- Lorsque vous utilisez la sortie CC de votre générateur, il faut brancher une batterie de tension appropriée (12 ou 24 V) entre le générateur et le réfrigérateur.
- Il convient d'éteindre le réfrigérateur au moment de démarrer et d'arrêter le générateur.

ATTENTION – Certains groupes électrogènes ne sont pas adaptés à l'alimentation de votre réfrigérateur.

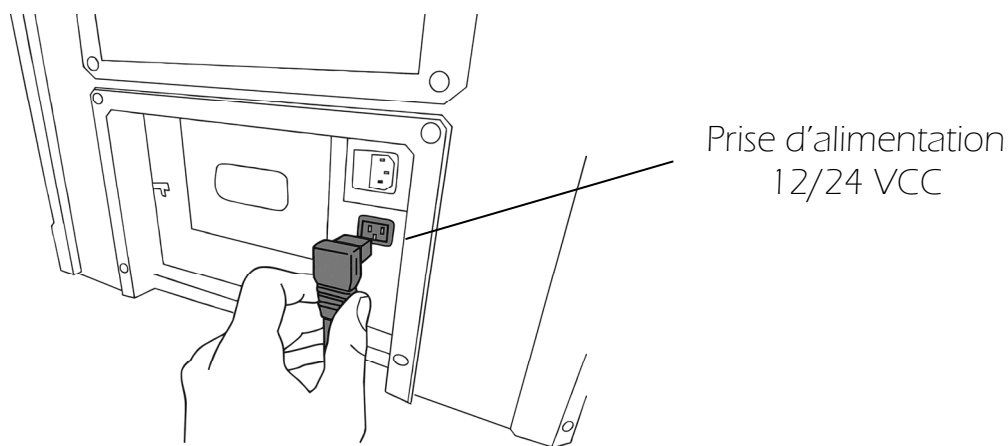
6.4.3 Branchement au 12/24 VCC

Votre réfrigérateur ARB peut fonctionner sur une tension de 12 VCC ou 24 VCC. Votre réfrigérateur est équipé d'un circuit de commande pour empêcher l'inversion de polarité lorsque l'appareil est raccordé à une batterie.

Pour brancher votre réfrigérateur à une alimentation CC de 12 V ou de 24 V :

- Branchez le câble d'alimentation 12/24 V dans la prise CC en face arrière du réfrigérateur comme illustré dans la Figure 8.
- Branchez l'extrémité libre du câble d'alimentation à une alimentation électrique de 12 VCC ou 24 VCC équipée d'un fusible adapté. Voir le paragraphe 6.4.4 pour plus d'informations à propos du câblage et de la protection par fusible en CC.

Figure 8



6.4.4 Exigences relatives au câblage 12/24 VCC

Pour garantir des performances optimales de votre réfrigérateur, il est important que votre système de câblage soit capable de supporter la charge requise. Dans de nombreux véhicules, le système de câblage des accessoires ne convient pas à cet effet.

ARB recommande de poser un circuit électrique dédié à l'alimentation du réfrigérateur. Il convient que ce circuit soit aussi court que possible et soit raccordé directement à l'alimentation électrique par un fusible de 15 A. Le Kit de câblage CC ARB contient tout le matériel nécessaire pour un tel circuit.

Pour une installation en automobile ou sur un bateau, ARB recommande de raccorder le circuit de câblage à une alimentation électrique isolée, par exemple un système de batterie auxiliaire. Cela évitera de décharger la batterie de démarrage principale.

Pour des longueurs de câble jusqu'à 6 m (20'), ARB recommande des câbles pour automobile d'au moins 6 mm (4,5 mm² / AWG11).

Pour des longueurs de câbles supérieures à 6 m (20'), ARB recommande de consulter un technicien qualifié pour déterminer la taille de câble correcte.

6.4.5 Prise d'alimentation 12/24 VCC

La fiche sur votre câble d'alimentation 12/24 VCC est dotée d'un embout amovible. Lorsque l'embout est en place comme illustré dans la Figure 9a, cette fiche s'insérera dans une prise d'alimentation pour accessoires de véhicule conventionnelle (prise d'allume-cigare). Lorsque l'embout est retiré comme illustré dans la Figure 9b, cette fiche s'insérera dans la prise d'alimentation auxiliaire à 2 broches ARB.

Figure 9a

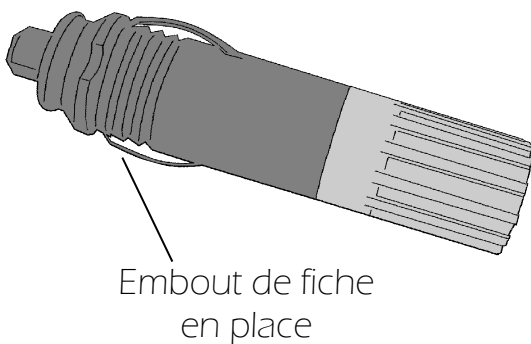
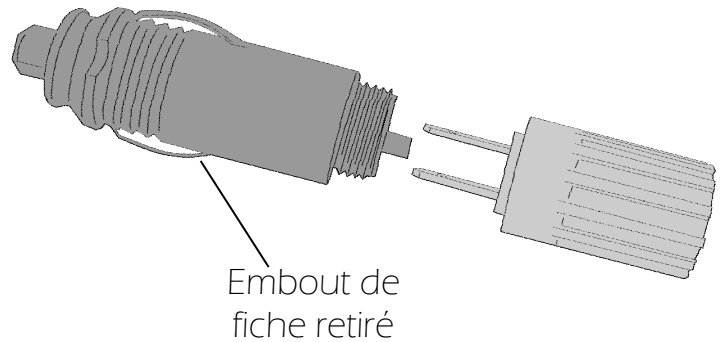


Figure 9b



ARB recommande fortement d'utiliser cette connexion bipolaire pour tous les branchements au 12 VCC et 24 VCC de votre réfrigérateur. Elle assurera un branchement positif et sécurisé entre votre alimentation électrique et votre réfrigérateur.

Il convient de tenir compte des points suivants en choisissant l'emplacement de la prise d'alimentation auxiliaire pour votre réfrigérateur :

- Placez la prise d'alimentation le plus près possible du réfrigérateur.
- Placez la prise d'alimentation en un endroit pratique qui permettra à l'utilisateur de brancher et débrancher facilement la fiche de la prise.
- Placez la prise d'alimentation en un endroit protégé à l'abri de la poussière et de l'humidité.
- Positionnez la prise en hauteur dans le véhicule pour éviter qu'elle soit mouillée si de l'eau devait pénétrer dans le véhicule.

REMARQUE – Si l'embout de la fiche ou de l'adaptateur est retiré et que vous alimentez votre réfrigérateur en 12/24 VCC, un fusible de 15 A doit être installé dans le circuit.

6.5 Mise en marche et arrêt du réfrigérateur

Pour allumer votre réfrigérateur ARB :


- Ouvrez le couvercle
- Appuyez sur la touche  et maintenez-la enfoncée pendant 2 à 3 secondes.

La LED Power s'allume en vert lorsque le réfrigérateur est en marche.

L'afficheur indiquera la température actuelle du bac.






REMARQUE - La température actuelle du bac est un relevé de la température au centre du bac. La température dans les autres zones du bac peut être différente.

Mise à l'arrêt du réfrigérateur :

- Ouvrez le couvercle
- Appuyez sur la touche  et maintenez-la enfoncée pendant 2 à 3 secondes.
- Lorsque le réfrigérateur s'arrête, la LED Power et l'afficheur s'éteignent.

6.6 Réglage de la température de consigne du bac

Pour régler la température de consigne du bac de votre réfrigérateur ARB :




- Ouvrez le couvercle et mettez le réfrigérateur en marche.
- Appuyez une fois sur  pour afficher la température de consigne actuelle du bac.
- Appuyez sur  pour augmenter la température de consigne d'un degré.
- Appuyez sur  pour diminuer la température de consigne d'un degré.
- Continuez d'appuyer sur  ou  jusqu'à ce que la température de consigne souhaitée du bac soit atteinte.
- Après 5 à 6 secondes d'inactivité, l'afficheur clignote et revient à l'affichage de la température actuelle du bac.

REMARQUE – Lorsque la température de consigne est atteinte, le compresseur s'arrête et la LED Power devient orange.

6.7 Sélection °C ou °F

Votre réfrigérateur ARB peut afficher la température en degrés Celsius (°C) ou en degrés Fahrenheit (°F).


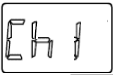


Pour modifier l'affichage en °C ou en °F :

- Ouvrez le couvercle et mettez le réfrigérateur en marche.
- Appuyez deux fois sur  pour afficher l'unité de température actuelle.
- Appuyez sur  ou  pour basculer entre °C et °F.
- Après 5 à 6 secondes d'inactivité, l'afficheur clignote et revient à l'affichage de la température actuelle du bac.

6.8 Changement de canal de transmission

Votre réfrigérateur ARB peut être utilisé avec l'afficheur sans fil pour réfrigérateur ARB (vendu séparément), lequel dispose de 4 canaux de transmission.

Pour changer de canal de transmission :


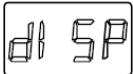
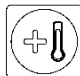

- Ouvrez le couvercle et mettez le réfrigérateur en marche.
- Appuyez quatre fois sur  pour afficher le canal de transmission actuel (par exemple ).
- Appuyez sur  ou  pour sélectionner Ch1, Ch2, Ch3 ou Ch4.
- Après 5 à 6 secondes d'inactivité, l'afficheur clignote et revient à l'affichage de la température actuelle du bac.

Consultez les instructions fournies avec l'afficheur sans fil pour réfrigérateur ARB pour plus d'informations sur son installation et son utilisation.

6.9 Modification de la luminosité du panneau de commande

La luminosité de l'afficheur du panneau de commande sur votre réfrigérateur ARB est réglable.


Pour modifier la luminosité de l'afficheur du panneau de commande :

- Ouvrez le couvercle et mettez le réfrigérateur en marche.
- Appuyez cinq fois sur  pour afficher .
- Appuyez sur  ou  pour sélectionner l'un des deux niveaux de luminosité.
- Après 5 à 6 secondes d'inactivité, l'afficheur clignote et revient à l'affichage de la température actuelle du bac.

6.10 Affichage de la tension d'alimentation

Votre réfrigérateur ARB peut afficher la tension qui l'alimente.

Pour afficher la tension d'alimentation :





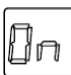
- Ouvrez le couvercle et mettez le réfrigérateur en marche.
- Appuyez sur  pour afficher la tension d'alimentation.

Lorsqu'il est branché à une alimentation CC, la tension d'alimentation s'affichera. Lorsqu'il est branché à une alimentation CA, les caractères « AC » s'afficheront.






6.11 Verrouillage électronique

Votre réfrigérateur ARB peut être verrouillé pour empêcher l'accès au compartiment de refroidissement et la modification des réglages sur le panneau de commande. Le verrouillage est commandé par le panneau de commande en face avant du réfrigérateur. Lorsque le réfrigérateur est neuf, le verrouillage est désactivé et doit être activé avant utilisation.


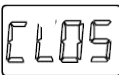
6.11.1 Pour activer le verrouillage électronique

- Ouvrez le couvercle et mettez le réfrigérateur en marche.
- Appuyez sur la touche  et maintenez-la enfoncée pendant 3 à 5 secondes.
- Saisissez le code. S'il n'a pas été modifié, le code par défaut est .
- Appuyez sur  ou  pour sélectionner .
- Après 3 à 5 secondes d'inactivité, l'afficheur clignote 3 fois et revient à l'affichage de la température actuelle du bac.

6.11.2 Pour désactiver le verrouillage électronique

- Ouvrez le couvercle et mettez le réfrigérateur en marche.
- Appuyez sur la touche  et maintenez-la enfoncée pendant 3 à 5 secondes.
- Saisissez le code. S'il n'a pas été modifié, le code par défaut est .
- Appuyez sur  ou  pour sélectionner .
- Après 3 à 5 secondes d'inactivité, l'afficheur clignote 3 fois et revient à l'affichage de la température actuelle du bac.

6.11.3 Pour verrouiller le réfrigérateur

- Mettez le réfrigérateur en marche et fermez le couvercle.
- Appuyez sur  pour verrouiller le réfrigérateur.
-  clignotera 3 fois lors du verrouillage du réfrigérateur. Un point unique apparaîtra alors dans le coin supérieur gauche de l'afficheur pour indiquer que le réfrigérateur est verrouillé, comme illustré dans la Figure 10.


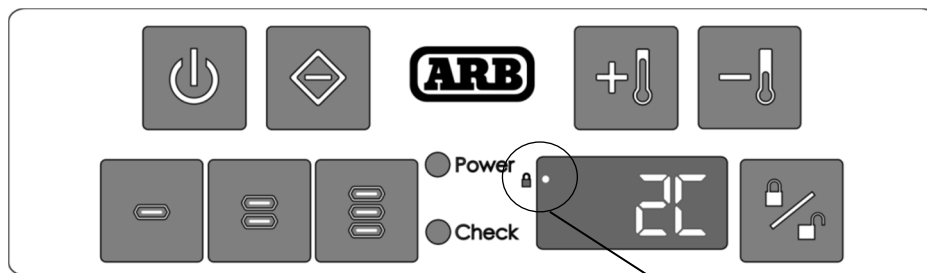



REMARQUE : *Si le verrou électronique n'est pas activé,  s'affiche.*
Le verrouillage du réfrigérateur est impossible si le couvercle n'est pas fermé.

Figure 10.



Symboles de verrouillage





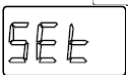

6.11.4 Pour déverrouiller le réfrigérateur



- Appuyez sur  pour déverrouiller le réfrigérateur.
- Saisissez le  à 4 chiffres avec le panneau de commande.
-  clignotera 3 fois lors du déverrouillage du réfrigérateur.

REMARQUE : Si le code saisi est incorrect,  s'affiche.


Si le verrou électronique est désactivé,  s'affiche.

6.11.5 Pour modifier le code d'accès

- Ouvrez le couvercle et mettez le réfrigérateur en marche.
- Appuyez sur la touche  et maintenez-la enfoncée pendant 3 secondes.
- Saisissez le code à 4 chiffres. Le code par défaut est .
- Appuyez sur  ou  pour sélectionner .
- Attendez l'affichage de .

- Saisissez un nouveau code de 4 chiffres  - par exemple 
. Le point unique dans le coin supérieur gauche indique la 1ère saisie.

-  s'affiche de nouveau.
- Ressaisissez le nouveau code de 4 chiffres  - par exemple 
. Les deux points dans le coin supérieur gauche indiquent la 2ème saisie.

REMARQUE : Si les nouveaux codes ne sont pas les mêmes,  s'affiche alors et l'utilisateur sera invité à ressaisir les nouveaux codes.

6.12 Utilisation du moniteur de batterie

Votre réfrigérateur ARB est équipé d'un moniteur de batterie qui sert à surveiller le niveau de décharge de la batterie. Le moniteur de batterie dispose de trois réglages ; HAUT, MOYEN et LIMITÉ. Avec le réglage HAUT, le moniteur de batterie offrira une protection maximale de la batterie contre une décharge excessive. Avec le réglage LIMITÉ, le moniteur de batterie permettra une utilisation maximale de l'énergie stockée dans la batterie. Le tableau 1 indique les niveaux de tension de coupure pour les trois réglages du moniteur de batterie.

Si votre réfrigérateur peut fonctionner sans allumer le contact du véhicule, le moniteur de batterie provoquera l'arrêt de l'appareil dès que la tension d'alimentation devient inférieure au niveau choisi. Le réfrigérateur redémarrera automatiquement une fois que la tension de démarrage sera atteinte.

REMARQUE – Lorsque le moniteur de batterie est activé, le groupe frigorifique (y compris le compresseur) ne fonctionne pas. La LED Power sur le panneau de commande sera éteinte et la LED Check clignotera en rouge. Le groupe frigorifique ne redémarrera pas avant que le niveau de tension de la batterie atteigne la tension de redémarrage indiquée dans le tableau 1.

Tableau 1




	MODE DU MONITEUR DE BATTERIE		
	LIMITE	MOYEN	HAUT
Tension d'arrêt – 12 VCC	10,1 V	11,4 V	11,8 V
Tension de redémarrage – 12 VCC	11,1 V	12,2 V	12,6 V
Tension d'arrêt – 24 VCC	21,5 V	24,1 V	24,6 V
Tension de redémarrage – 24 VCC	23,0 V	25,3 V	26,2 V

Si votre réfrigérateur est raccordé à la batterie de démarrage sur un système 12/24 VCC, ARB recommande de régler le niveau du moniteur de batterie sur HAUT/MOYEN.

Si votre réfrigérateur est raccordé à une batterie auxiliaire sur un système 12/24 VCC, ARB recommande de régler le niveau du moniteur de batterie sur LIMITÉ.

REMARQUE – ARB recommande de charger la batterie après un déclenchement du moniteur de batterie. ARB recommande également d'éteindre tous les équipements électriques non essentiels qui utilisent de l'énergie provenant de la même source que le réfrigérateur jusqu'à ce que la batterie soit complètement chargée.

Pour modifier le niveau de protection de la batterie :

- Ouvrez le couvercle et mettez le réfrigérateur en marche.
- Appuyez trois fois sur  pour afficher le niveau de protection actuel de la batterie.
- Appuyez sur  ou  pour modifier la tension de protection de la batterie en Haut (HI), Moyen (nEd) et Limité (Lo).
- Après 5 à 6 secondes d'inactivité, l'afficheur clignote et revient à l'affichage de la température actuelle du bac.



6.13 Utilisation du panier

Votre réfrigérateur ARB est fourni avec un panier grillagé qui contribue à protéger les parois intérieures du bac du réfrigérateur. Le panier peut être installé avec son côté haut dirigé vers l'avant du réfrigérateur comme illustré dans la Figure 11a. Cela permet de poser des articles longs en travers de la section supérieure du bac du réfrigérateur. Le panier peut également être positionné de manière à ce que le côté haut se trouve au centre du bac, comme illustré dans la Figure 11b. Vous disposez ainsi d'une division en hauteur complète entre les zones froides principale et secondaire.

Figure 11a

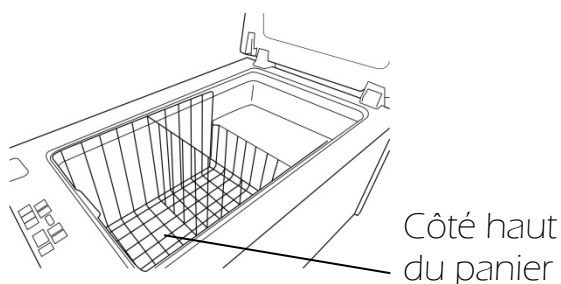
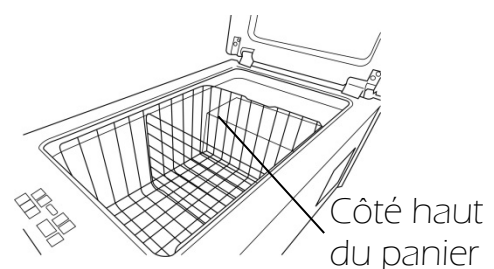


Figure 11b



Pour sortir le panier du bac :

- Soulevez le panier verticalement hors du bac du réfrigérateur. Certains modèles sont équipés d'un panier fixe. Pour retirer ces paniers, retirez l'attache et remontez-la lorsque le panier est remis en place.

Pour remonter le panier dans le bac :

- Faites glisser le panier vers le bas dans le bac du réfrigérateur. Le panier est correctement positionné lorsque sa base est en contact avec la base du bac du réfrigérateur.
- Si nécessaire, fixez le panier à l'aide de l'attache originale.

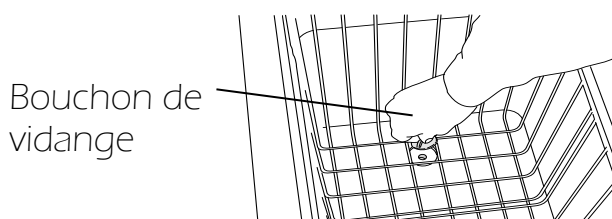
6.14 Diviseur de panier

Votre réfrigérateur ARB est fourni avec un diviseur de panier amovible qui peut être retiré facilement en le tirant verticalement hors du panier. Lorsqu'il est remis en place, il est important que le diviseur de panier soit placé entre les nervures sur les côtés du panier. Sur les modèles équipés d'un diviseur fixe, le diviseur ne doit pas être détaché du panier.

6.15 Bouchon de vidange

Votre réfrigérateur ARB est doté d'un bouchon de vidange amovible dans la base du bac, comme illustré dans la Figure 12. Le bouchon de vidange peut être retiré pour laisser s'écouler le liquide hors du bac du réfrigérateur.

Figure 12



Pour retirer le bouchon de vidange :

- Ouvrez le couvercle du réfrigérateur.
- Saisissez le bouchon de vidange avec vos doigts.
- Soulevez doucement le bouchon de vidange de la base du bac.

Pour remettre le bouchon de vidange en place :

- Ouvrez le couvercle du réfrigérateur.
- Placez la pointe du bouchon de vidange dans l'orifice d'écoulement.
- Appliquez une légère pression sur le bouchon de vidange de manière à ce qu'il glisse dans l'orifice d'écoulement. Le bouchon de vidange est bien en place lorsque la lèvre de celui-ci est en contact avec la base du bac.

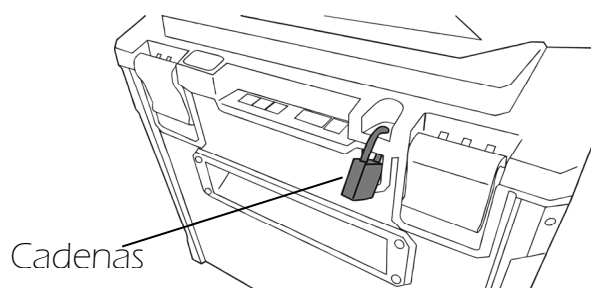
REMARQUE – Il est important de remettre le bouchon de vidange en place avant d'utiliser le réfrigérateur.

6.16 Verrouillage du réfrigérateur avec un cadenas

Votre réfrigérateur ARB peut être verrouillé avec un cadenas pour empêcher l'accès au compartiment de refroidissement et la modification des réglages sur le panneau de commande.

Pour verrouiller le réfrigérateur, posez un cadenas entre le couvercle et le bac, comme illustré dans la Figure 13.

Figure 13.



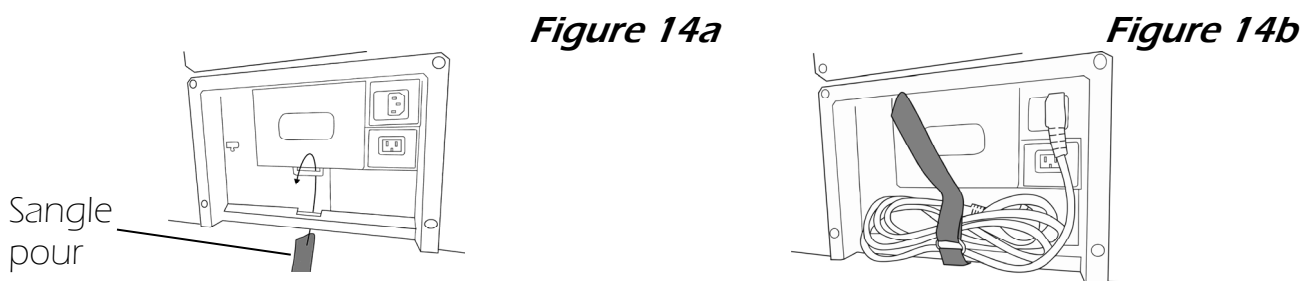
6.17 Sangle pour câble

Votre réfrigérateur ARB est fourni avec une sangle tressée qui peut être utilisée pour retenir les câbles lorsqu'ils ne sont pas utilisés.

Pour installer la sangle :

1. En partant du bas, faites passer l'extrémité libre de la sangle à travers les deux points de sanglage à l'arrière du réfrigérateur comme illustré dans la Figure 14a.
2. Enroulez le câble et placez-le entre les points de sanglage.
3. Faites passer l'extrémité libre de la sangle sur le câble et à travers l'œillet. Serrez la sangle et fixez-la sur elle-même comme illustré dans la Figure 14b.

REMARQUE : *Lorsqu'elle n'est pas utilisée, la sangle peut être serrée et rangée à sa place à l'arrière du réfrigérateur.*



6.18 Conseil pour économiser l'énergie

Pour vous aider à profiter des performances optimales de votre réfrigérateur, ARB vous donne les recommandations suivantes :

- Placez le réfrigérateur dans un endroit bien ventilé et protégé des rayons directs du soleil.
- Essayez de minimiser la fréquence d'ouverture du réfrigérateur.
- Ne laissez pas le couvercle ouvert pendant plus longtemps que nécessaire.
- Évitez de régler la température de consigne à une valeur inutilement basse.
- Dégivrez le réfrigérateur dès que de la glace commence à se former.

6.19 Dégivrage de votre réfrigérateur

De la glace peut occasionnellement se former à l'intérieur de votre réfrigérateur ARB. Celle-ci peut réduire à la fois sa capacité interne et son efficacité thermique. ARB vous recommande de dégivrer régulièrement votre réfrigérateur.

Pour dégivrer votre réfrigérateur ARB :

- Videz le réfrigérateur de son contenu.
- Arrêtez le réfrigérateur.
- Ouvrez le couvercle pour que la température ambiante fasse fondre la glace.
- Retirez le bouchon de vidange et laissez l'eau s'écouler hors du bac.
- Essuyez le bac avec un chiffon doux pour éliminer les éventuels résidus d'eau.

AVERTISSEMENT : *N'utilisez jamais d'objets durs ou pointus pour dégivrer le réfrigérateur ou pour détacher les objets qui sont bloqués dans la glace.*

6.20 Remplacement du fusible de la fiche (12/24 V)

Votre réfrigérateur est équipé d'un fusible qui est logé dans la fiche 12/24 VCC.

ATTENTION – Débranchez le réfrigérateur de toutes les sources d'alimentation électrique avant de remplacer le fusible de la fiche.

Pour remplacer le fusible de la fiche :

- Séparez la partie supérieure du corps de la fiche en la dévissant et retirez-la comme illustré dans la Figure 15a.
- Remplacez le fusible défectueux par un fusible neuf du même calibre. Le calibre correct pour les fusibles est de 3AG 10 A. Voir la Figure 15b.
- Remontez la fiche en exécutant les étapes ci-dessus dans l'ordre inverse.

Figure 15a

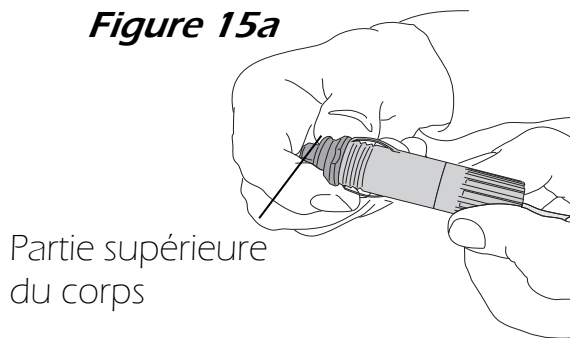
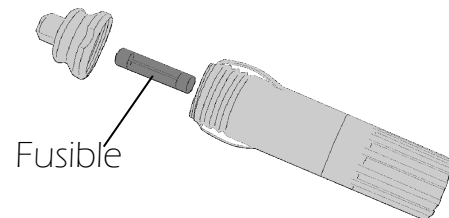


Figure 15b



6.21 Remplacement du fusible du caisson

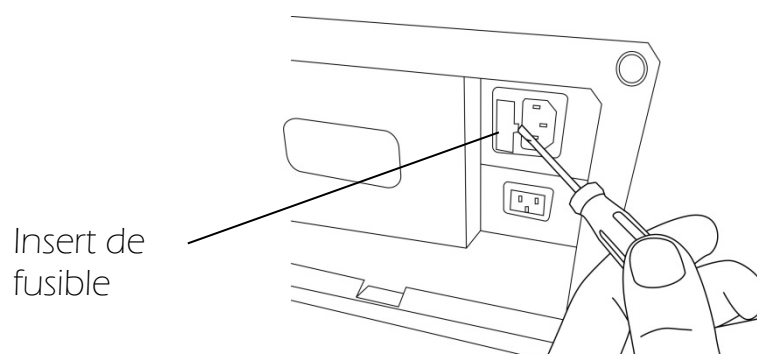
Votre réfrigérateur est équipé d'un fusible qui se trouve à l'arrière du caisson.

ATTENTION – Débranchez le réfrigérateur de toutes les sources d'alimentation électrique avant de remplacer le fusible du caisson.

Pour remplacer le fusible du caisson :

- Débrancher les câbles d'alimentation CA et CC des prises d'alimentation.
- Retirez l'insert du fusible de la face arrière du réfrigérateur comme illustré dans la Figure 16. Un petit tournevis plat sera peut-être nécessaire pour aider à retirer l'insert de son logement en faisant levier.
- Remplacez le fusible défectueux par un fusible neuf du même calibre. Le calibre correct du fusible est de 4 A, avec pour référence : F4L250V.
- Remettez l'insert du fusible dans son logement.

Figure 16a



6.22 Entreposage de votre réfrigérateur

Si vous entreposez votre réfrigérateur pendant une période prolongée, ARB vous donne les recommandations suivantes :

- Éteignez le réfrigérateur et débranchez-le de toutes les sources d'alimentation.
- Sortez tous les produits du bac, à l'exception du panier et de son diviseur.
- Laissez le couvercle légèrement ouvert pour permettre un écoulement d'air à travers le bac.

CONSEIL – Pour s'assurer que le couvercle reste ouvert, soulevez le couvercle et placez les verrous sur le dessus du bac avant d'abaisser doucement le couvercle dessus. Pour une ventilation supplémentaire, retirez le bouchon de vidange.

7 NETTOYAGE ET ENTRETIEN

Pour nettoyer l'intérieur ou l'extérieur du réfrigérateur, utilisez un chiffon humide et de l'eau chaude contenant un détergent ménager doux non abrasif. Les surfaces en acier inoxydable peuvent être nettoyées avec un nettoyant pour acier inoxydable de bonne qualité. Les petites rayures et marques peuvent être éliminées de l'acier inoxydable en utilisant un produit de polissage de bonne qualité pour l'acier inoxydable.

Si votre réfrigérateur fonctionne dans des conditions poussiéreuses, ARB vous recommande de nettoyer régulièrement les surfaces extérieures pour éviter l'accumulation de saleté et de corps étrangers. ARB vous recommande notamment de nettoyer régulièrement autour des mécanismes de charnière ainsi que le capotage du moteur. Pour nettoyer le capotage du moteur, placez le réfrigérateur dans un endroit bien ventilé et utilisez un aspirateur ou un courant doux d'air comprimé.

AVERTISSEMENT – Il ne faut en aucun cas retirer le capotage du moteur.

Veillez tenir compte des points suivants avant de nettoyer votre réfrigérateur.

- Coupez toujours l'alimentation électrique et retirez les fiches du réfrigérateur avant toute opération de nettoyage ou d'entretien sur l'appareil.
- N'utilisez jamais d'objets durs ou de produits de nettoyage abrasifs pour nettoyer le réfrigérateur.
- N'utilisez pas de brosses, de tampons à récurer ou d'outils durs ou pointus pour dégivrer le réfrigérateur.
- Ne nettoyez pas le réfrigérateur sous l'eau courante ou avec un nettoyeur à haute pression.

8 MISE AU REBUT

Dans la mesure du possible, jetez le matériel d'emballage dans les poubelles de recyclage appropriées.

Si vous souhaitez mettre définitivement votre réfrigérateur au rebut, adressez-vous à votre centre de recyclage local ou à votre revendeur agréé de réfrigérateur ARB pour connaître la procédure à suivre afin d'agir conformément à la réglementation applicable en matière d'élimination.

9 CARACTERISTIQUES TECHNIQUES

Capacité totale - Litres (quarts)	60 (63)
Type	10800050
Catégorie	1
Consommation d'énergie annuelle (kWh/annum)	90
Classe climatique	N,T
Indice d'efficacité énergétique (IEE)	A+
Tension d'alimentation (sauf Amérique du Nord)	12/24 VCC et 100-240 VCA
Tension d'alimentation Amérique du Nord	12/24 VCC et 120 VCA ~ 60 Hz
Courant nominal	
- 12 VCC	6,8 A
- 24 VCC	3,4 A
- 100-240 VCA	1,0 - 0,5 A
- 120 VCA	1,0 A
Capacité de refroidissement	+ 10 °C à -18 °C (+ 50 °F à 0 °F)
Température ambiante	+16°C à + 43°C (+ 70 °F à + 109°F)
Poids - Net - kg (lb)	32 (70)
Bruit (dbA)	50
Réfrigérant - R134a - g (oz)	58 (2,0)
Dimensions externes - mm (in) - Figure 17a	
- H1	435 (17,3)
- W1	490 (19,3)
- D1	820 (32,3)
Dimensions internes - mm (in) - Figure 17b	
- H2	332 (13,1)
- H3	144 (5,7)
- W2	355 (14,0)
- D2	477 (18,8)
- D3	633 (24,9)

Remarque : La capacité de refroidissement maximale est de 50 °C (122 °F) au-dessous de la température ambiante. Si la température ambiante est supérieure à 32 °C (90 °F), la température minimale ne peut pas être atteinte.

Figure 17a

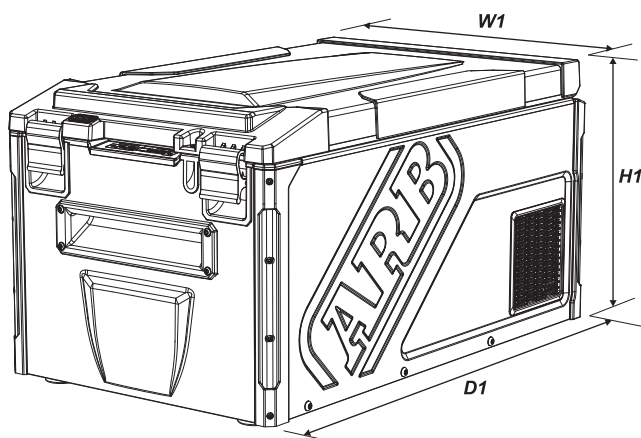
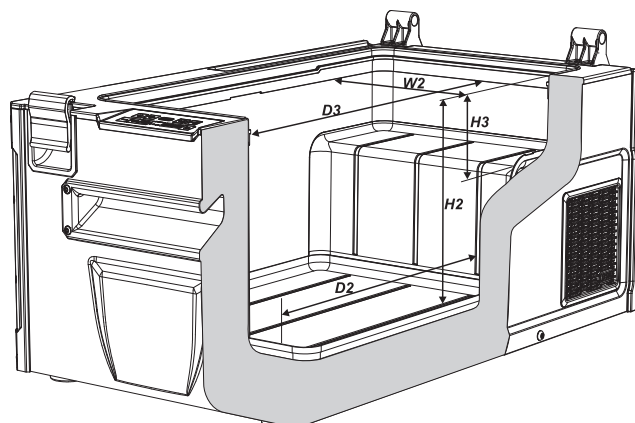


Figure 17b



Cet appareil est exempt de CFC. Le circuit de réfrigérant contient du R134a. La vidange ou la recharge du réfrigérant doit uniquement être effectuée par un technicien frigoriste autorisé.

10 GARANTIE

ARB garantit les produits ARB contre les défauts de fabrication et de matériel pendant la période de garantie. Si des défauts de fabrication ou de matériel se produisent durant la période de garantie, ARB remplacera ou réparera le produit défectueux.

Les avantages conférés au client dans le cadre de cette garantie s'ajoutent aux autres droits et recours du client en vertu d'une loi en relation aux biens ou services auxquels se rapporte la garantie.

1) Dans la présente garantie :

- **ARB** désigne la société ARB Corporation Limited (ABN 31 006 708 756) de 42-44 Garden St, Kilsyth Victoria 3137, Australie
- **Point de vente ARB** désigne un point de vente qui a été autorisé par ARB à vendre et à installer des produits ARB
- **Produit ARB** désigne les produits fabriqués par ARB ou dont ARB est le fournisseur exclusif
- **Information produit** désigne les informations relatives au produit ARB concerné qui peuvent se trouver dans la documentation fournie avec les produits ARB, le manuel du propriétaire, le manuel d'utilisation, le manuel d'entretien ou manuel du fabricant ou encore les étiquettes apposées sur le produit ARB
- **Période de garantie**, pour ce qui concerne un produit ARB, désigne la durée de validité de la présente garantie contre les défauts et qui est définie dans les tableaux du chapitre 8.

2) Pour pouvoir bénéficier de la garantie, le client doit :

- a) Avoir installé le produit ARB conformément à l'information produit
- b) Effectuer les opérations d'entretien et de maintenance normales du produit ARB, y compris tout ce qui est exigé par l'information produit
- c) Fournir une preuve d'achat du produit ARB
- d) Déposer la réclamation pendant la période de garantie

2) La garantie ne s'appliquera pas dans les cas où le défaut est causé par :

- a) Une utilisation inhabituelle, inadaptée, négligente ou incorrecte du produit ARB
- b) Une installation incorrecte du produit ARB par un tiers autre qu'à un point de vente ARB
- c) Une charge du produit ARB avec un poids supérieur à celui indiqué par l'information produit
- d) L'utilisation de composants non authentiques ARB dans ou avec le produit ARB
- e) L'utilisation sur des véhicules avec des modifications non approuvées dans l'information produit ou à un point de vente ARB au moment de l'installation
- f) Une utilisation en course ou compétition
- g) L'utilisation du produit ARB en dehors des exigences de l'information produit

3) Procédure de réclamation sous garantie par le client :

- a) Renvoyez le produit ARB au point de vente ARB le plus proche ou contactez ARB afin de convenir d'un rendez-vous pour amener un véhicule équipé du produit ARB à un point de vente ARB pour inspection. Adressez-vous aux coordonnées indiquées au point 6 ci-dessous si vous avez besoin d'informations supplémentaires à propos de votre point de vente local
- b) Apportez une preuve d'achat du produit ARB au point de vente ARB
- c) ARB examinera le produit ARB et vous informera si les conditions de la garantie ont été respectées

4) Lorsque ARB accepte la demande de garantie d'un client, ARB corrigera tout défaut de fabrication ou de matériel à ses frais.

5) Les frais engagés par le client pour demander la garantie sont à la charge du client.

6) Cette garantie est offerte par :
ARB Corporation Limited
42-44 Garden Street Kilsyth VIC 3137, Australie
Téléphone : 03 9761 6622
Fax : 03 9721 9090
www.arb.com.au

7) La période au cours de laquelle un défaut dans les produits ARB doit apparaître pour que le client puisse demander la garantie est de 3 ans à compter de la date d'achat, à moins que :

- a) Le produit ARB sert à un usage commercial. Usage commercial signifie une utilisation dans l'industrie ou le commerce, y compris (sans limitation) l'utilisation dans l'industrie minière ou en tant que véhicule de location. Dans ce cas, la période de garantie est de 1 an ou de 20 000 km, la valeur la plus petite étant retenue, ou d'un tiers de la période ou de la distance spécifiée dans le tableau, à compter de la date d'achat.

8) La garantie contre les défauts contenue dans ce document remplace toute autre garantie contre les défauts ou la garantie volontaire accordée en relation avec les produits.

Nos produits sont fournis avec des garanties qui ne peuvent être exclues en vertu de la loi australienne de protection des consommateurs. Vous avez droit à un remplacement ou à un remboursement pour une défaillance majeure et à une compensation pour tout(e) autre perte ou dommage prévisible raisonnable. Vous avez aussi le droit à ce que les produits soient réparés ou remplacés si les marchandises ne sont pas de qualité acceptable et si la défaillance ne constitue pas une défaillance majeure.

11 DÉPANNAGE

La liste de contrôle suivante vous aidera à identifier la source du problème de votre réfrigérateur. Si vous avez toujours un doute quant à la cause de la panne après avoir vérifié tous les points de cette liste, veuillez contacter le centre de S.A.V. pour réfrigérateur ARB le plus proche.

1. Le réfrigérateur a cessé de fonctionner. La LED Power ne s'allume pas.

1.1 Les branchements du câble d'alimentation sont peut-être desserrés ou encrassés du côté du réfrigérateur ou de l'extrémité de l'alimentation électrique.

- Vérifiez que les branchements du câble d'alimentation du réfrigérateur ne sont pas détachés ou déconnectés.
- Vérifiez que les contacts électriques ne sont pas encrassés au point d'empêcher la circulation du courant jusqu'au réfrigérateur.

1.2 Le fusible dans la fiche du câble 12/24 VCC est peut-être grillé.

- Vérifiez le fusible dans la fiche du câble 12/24 VCC et remplacez-le si nécessaire. Voir le paragraphe 6.20.

1.3 Le fusible du caisson est peut-être grillé.

- Vérifiez le fusible du caisson et remplacez-le si nécessaire. Voir le paragraphe 6.21.

2. Le compresseur du réfrigérateur a cessé de fonctionner. La LED Power est orange.

2.1 Le réfrigérateur a atteint la température de consigne souhaitée du bac.

- Le réfrigérateur fonctionne normalement. Aucune action nécessaire.

3. Le réfrigérateur a cessé de fonctionner. La LED Power est éteinte et la LED Check rouge clignote.

3.1 Le système de protection de batterie interne a provoqué un arrêt du réfrigérateur car la tension de la batterie est faible.

- Le réfrigérateur redémarrera automatiquement une fois que la tension de démarrage sera atteinte. Les tensions d'arrêt et de redémarrage sont indiquées au paragraphe 6.12.

4. Le réfrigérateur ne refroidit pas ou a cessé de fonctionner. La LED Power est verte.

4.1 Il s'est peut-être produit un défaut interne dans le réfrigérateur.

- Seul un réparateur agréé de réfrigérateur ARB peut le réparer.

5. Le panneau de commande affiche un message d'erreur (par exemple « ERR1 », « ERR2 » ou « ERR3 ») et le réfrigérateur ne refroidit pas.

5.1 Le réfrigérateur s'est peut-être éteint en raison d'un défaut interne.

- Seul un réparateur agréé de réfrigérateur ARB peut le réparer.

6. Le réfrigérateur vibre occasionnellement ou cesse de fonctionner lorsqu'il est raccordé à un circuit de câblage de véhicule pendant que le véhicule roule.

6.1 Il est probable qu'il se produit une chute de tension au sein du câblage de votre véhicule.

- Vous pouvez le vérifier en mesurant la tension à l'extrémité du câble d'alimentation du réfrigérateur pendant que ce dernier est en fonctionnement. Si la valeur lue est inférieure à 11,8 V (12 VCC) ou à 24,1 V (24 VCC), vous devez faire contrôler le câblage.
- Si nécessaire, mettez à niveau le circuit électrique de votre réfrigérateur en vous servant des informations du paragraphe 6.4.4.

7. Le réfrigérateur s'arrête et démarre ou fonctionne de façon irrégulière

7.1 Le système de protection de batterie interne peut provoquer un arrêt du réfrigérateur car la tension de la batterie est faible.

- Vérifiez si la tension d'alimentation sur la fiche du réfrigérateur a chuté au-dessous de la tension de coupure indiquée au paragraphe 6.12. La tension doit être mesurée sur la fiche du réfrigérateur, car il se produit généralement une chute de tension de 1 à 2 volts entre la source d'alimentation (batterie) et la prise du réfrigérateur.
- Il est peut-être nécessaire de remplacer la batterie du véhicule ou de mettre à niveau le câblage vers le réfrigérateur. Voir le paragraphe 6.4.4 pour les exigences de câblage.

8. Le réfrigérateur fonctionne trop longtemps et ne refroidit pas correctement.

8.1 Les bonnes performances du réfrigérateur, notamment dans le cas de températures ambiantes élevées, dépendent d'une bonne circulation d'air autour des fentes de refroidissement du réfrigérateur.

- Vérifiez que toutes les fentes d'aération sont bien dégagées et qu'il y a suffisamment d'espace pour une bonne circulation d'air autour du réfrigérateur. Voir le au paragraphe 5.1 pour plus d'informations.

9. La lampe à LED du bac ne s'allume pas lors de l'ouverture du couvercle du réfrigérateur.

9.1 Le réfrigérateur n'est peut-être pas raccordé à une alimentation électrique appropriée.

- Vérifiez le branchement entre la source d'alimentation et le réfrigérateur.

9.2 Le réfrigérateur n'est peut-être pas mis en marche sur le panneau de commande.

- Mettez le réfrigérateur en marche sur le panneau de commande.

Prima di utilizzare il frigorifero ARB per la prima volta, si prega di leggere attentamente la presente guida per l'uso e la manutenzione. Si consiglia di conservare la presente guida in un luogo sicuro insieme a una copia della ricevuta di acquisto.

INDICE

1	INTRODUZIONE	107
2	DETTAGLI DELLA FORNITURA	107
3	ISTRUZIONI CONCERNENTI LA SICUREZZA	108
	3.1 Sicurezza generale	108
	3.2 Utilizzo in sicurezza del frigorifero	108
4	INTRODUZIONE AL FRIGORIFERO ARB FRIDGE	109
5	INSTALLAZIONE	110
	5.1 Installazione generica	110
	5.2 Installazione su veicolo	111
	5.2.1 Montaggio permanente	111
	5.2.2 Montaggio temporaneo	112
6	MODALITÀ D'USO	113
	6.1 Prima dell'uso	113
	6.2 Trasporto del frigorifero	113
	6.3 Apertura del frigorifero	113
	6.4 Collegamento del frigorifero	114
	6.4.1 Collegamento a 100-240 V c.a.	114
	6.4.2 Collegamento a un gruppo elettrogeno	114
	6.4.3 Collegamento a 12/24 V c.c.	115
	6.4.4 Requisiti di cablaggio a 12/24 V c.c.	115
	6.4.5 Presa di alimentazione 12/24 V c.c.	116
	6.5 Accensione e spegnimento del frigorifero	117
	6.6 Impostazione della temperatura di riferimento del contenitore	117
	6.7 Cambio di indicazione da °C a °F e viceversa	117
	6.8 Cambio del canale di trasmissione	118
	6.9 Modifica della luminosità del quadro comandi	118
	6.10 Visualizzazione della tensione di alimentazione	118
	6.11 Serratura elettronica	119
	6.11.1 Per attivare la serratura elettronica	119
	6.11.2 Per disattivare la serratura elettronica	119
	6.11.3 Per bloccare il frigorifero	119
	6.11.4 Per sbloccare il frigorifero	120
	6.11.5 Per cambiare il codice di accesso	120
	6.12 Uso del monitor della batteria	121
	6.13 Uso del cestello	122
	6.14 Divisorio del cestello	123
	6.15 Tappo di scarico	123
	6.16 Chiusura del frigorifero con un lucchetto	123
	6.17 Fascetta fermacavo	124
	6.18 Suggerimenti per il risparmio energetico	124
	6.19 Sbrinamento del frigorifero	124
	6.20 Sostituzione del fusibile della spina (12/24 V)	125
	6.21 Sostituzione del fusibile del contenitore	125
	6.22 Conservazione del frigorifero	126
7	PULIZIA E MANUTENZIONE	126
8	SMALTIMENTO	126
9	CARATTERISTICHE TECNICHE	127
10	GARANZIA	128
11	RISOLUZIONE DEI PROBLEMI	129

1 INTRODUZIONE

Congratulazioni per avere acquistato un frigorifero ARB. Il frigorifero ARB da lei acquistato è stato progettato appositamente per le dure condizioni affrontate dai veicoli fuori strada e il suo scopo principale è quello di raffreddare alimenti e bevande. Se lo si desidera, può essere utilizzato anche come congelatore. Seguendo le istruzioni e i suggerimenti elencati nel presente documento, avrà la certezza di ottenere le massime prestazioni e una lunga durata dal suo nuovo frigorifero.

Il frigorifero ARB è progettato per funzionare con un'alimentazione di 12 V c.c. o 24 V c.c. erogata da un veicolo, un'imbarcazione o una roulotte. Può funzionare anche con un'alimentazione di rete di 100-240 V c.c. mediante l'inverter di potenza incorporato.

ATTENZIONE - Se si desidera raffreddare prodotti medicinali, si prega di verificare che la capacità di raffreddamento del frigorifero sia idonea a tale scopo.

2 DETTAGLI DELLA FORNITURA

Il suo frigorifero ARB è stato consegnato con i seguenti articoli. Qualora non tutti gli articoli fossero stati inclusi con il frigorifero, contattare il concessionario ARB di zona.

ARTICOLO	QUANTITATIVO
<i>Frigorifero ARB</i>	<i>1</i>
<i>Cestello rovesciabile</i>	<i>1</i>
<i>Divisorio cestello</i>	<i>1</i>
<i>Cavo di alimentazione 12/24 V c.c.</i>	<i>1</i>
<i>Cavo di alimentazione 100-240 V c.a.</i>	<i>1</i>
<i>Fascetta fermacavo</i>	<i>1</i>
<i>Guida per l'uso e la manutenzione</i>	<i>1</i>

3 ISTRUZIONI CONCERNENTI LA SICUREZZA

3.1 Sicurezza generale

Ai fini della sicurezza di tutte le persone che utilizzeranno il frigorifero, ARB raccomanda di prendere nota di tutte le seguenti istruzioni concernenti la sicurezza generale:

- Alimentare sempre il frigorifero con la tensione corretta e la polarità corretta.
- Non collegare il frigorifero a un caricabatteria, un convertitore c.a./c.c. o un raddrizzatore.
- Prima di utilizzare un caricabatteria rapido, scollegare il frigorifero dalla batteria.
- Non utilizzare oggetti o materiali appuntiti, abrasivi o corrosivi per pulire o sbrinare il frigorifero.
- Sorvegliare i bambini mentre utilizzano il frigorifero.
- Questo apparecchio può essere utilizzato da bambini di età maggiore di 8 anni e da persone con ridotte capacità fisiche, sensoriali o mentali o con poca esperienza e conoscenza purché siano sorvegliati o istruiti riguardo all'uso in sicurezza dell'apparecchio e comprendano i pericoli implicati. I bambini non devono giocare con l'apparecchio. La pulizia e la manutenzione da parte dell'utente non devono essere effettuate da bambini non sorvegliati.
- Se il cavo di alimentazione è danneggiato, deve essere sostituito prima dell'uso del frigorifero.
- Prima di effettuare la pulizia o la manutenzione, scollegare il frigorifero da tutte le alimentazioni elettriche.
- Non conservare liquidi o gas infiammabili nel frigorifero o nelle sue vicinanze.
- Non aprire né manomettere il circuito del refrigerante.
- Non rimuovere né modificare nessuno dei componenti elettrici.
- Non conservare o trasportare nel frigorifero materiali caustici o a base di solventi.
- Non utilizzare il frigorifero in presenza di segni visibili di danneggiamento.
- Fare riparare il frigorifero esclusivamente da un tecnico ARB autorizzato.
- Non conservare in questa apparecchiatura sostanze esplosive, come ad esempio bombolette spray contenenti un propellente liquido.
- Questo apparecchio è destinato all'uso per impieghi domestici e analoghi, quali:
 - Zone cucina in negozi, uffici e altri ambienti di lavoro.
 - Abitazioni rurali e da parte di clienti in alberghi, motel e altri ambienti di tipo residenziale.
 - Ambienti di tipo bed and breakfast.
 - Ristorazione e attività analoghe non comprendenti la vendita al dettaglio.

3.2 Utilizzo in sicurezza del frigorifero

Per l'utilizzo in sicurezza del frigorifero, ARB raccomanda di prendere nota delle seguenti istruzioni concernenti la sicurezza.

- Garantire la presenza di un'adeguata ventilazione intorno al frigorifero onde impedirne il surriscaldamento. Fare riferimento al paragrafo 5.1 per maggiori dettagli.
- Non toccare l'involucro metallico interno del frigorifero con le mani bagnate.
- Non collocare il frigorifero in prossimità di fiamme libere o di altre fonti di calore (stufe, fuochi da campeggio, stufe a gas, ecc.).
- Non riempire il contenitore del frigorifero di ghiaccio o liquido.
- Non collocare dispositivi elettrici all'interno del frigorifero.
- Non utilizzare il frigorifero se si sospetta che l'impianto elettrico sia stato esposto all'acqua.
- Non utilizzare il frigorifero se è stato immerso in acqua.

4 INTRODUZIONE AL FRIGORIFERO ARB FRIDGE

Di seguito, nelle figure da 1 a 4, sono indicati i componenti principali del frigorifero ARB.

Figura 1 – Lato anteriore del frigorifero

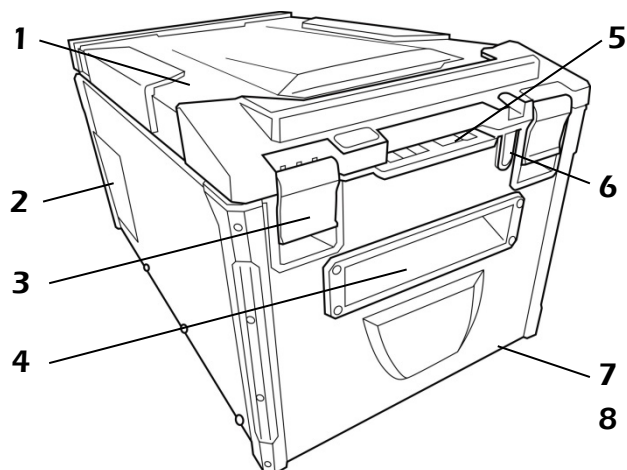


Figura 2 – Lato posteriore del frigorifero

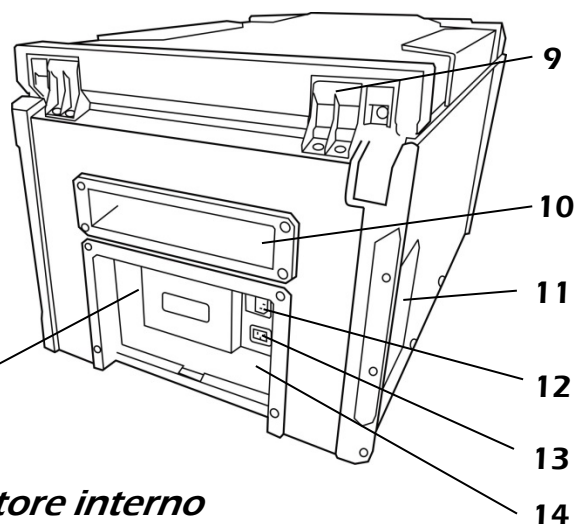
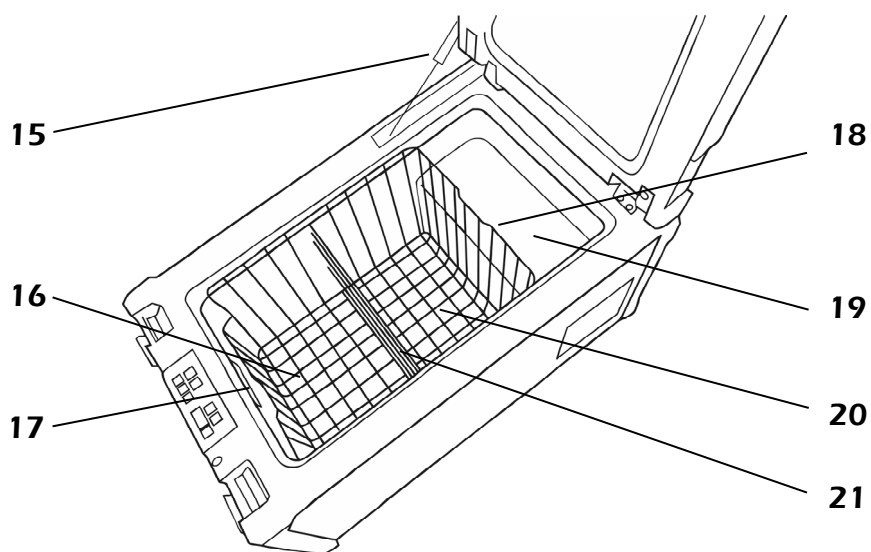
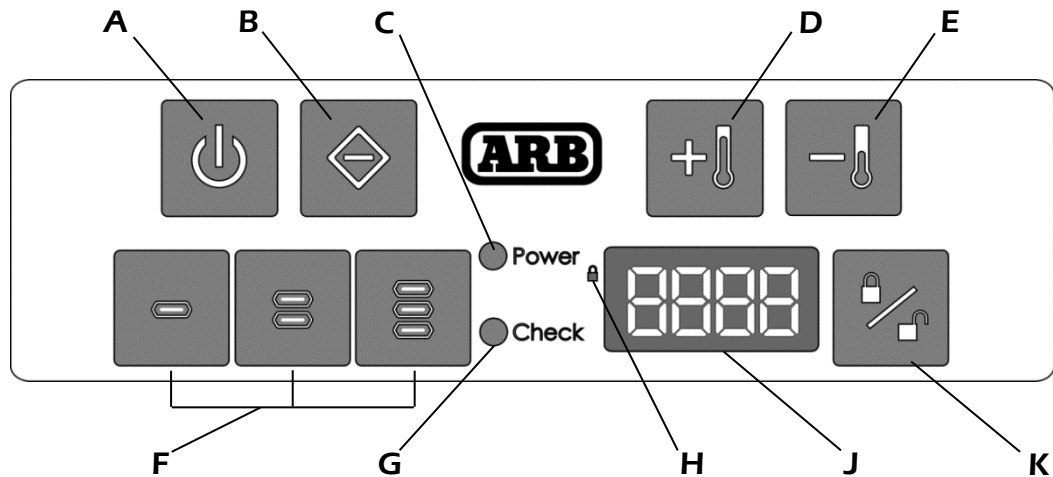


Figura 3 – Contenitore interno



- | | |
|--|---|
| 1. Coperchio | 12. Presa di alimentazione 100-240 V c.a. |
| 2. Sfiato raffreddamento lato sx | 13. Presa di alimentazione 12/24 V c.c. |
| 3. Fermo coperchio x 2 | 14. Targhetta dati e numero di serie |
| 4. Maniglia di trasporto anteriore | 15. Puntello a gas |
| 5. Quadro comandi | 16. Tappo di scarico |
| 6. Posizione lucchetto | 17. Luce a LED del contenitore |
| 7. Piedini di gomma x 4 | 18. Cestello rovesciabile |
| 8. Connettore per trasmettitore wireless | 19. Contenitore frigorifero secondario |
| 9. Cerniera x 2 | 20. Contenitore frigorifero principale |
| 10. Maniglia di trasporto posteriore | 21. Divisorio cestello |
| 11. Sfiato raffreddamento lato dx | |

Figura 4 – Quadro comandi

- | | |
|--|---------------------------------------|
| A. Tasto ON / OFF alimentazione | F. Tastiera per serratura elettronica |
| B. Tasto funzione | G. Spia LED Check |
| C. Spia LED Power* | H. Simbolo serratura |
| D. Tasto aumento temperatura (<i>modifica di aumento impostazione</i>) | J. Display |
| E. Tasto diminuzione temperatura (<i>modifica di diminuzione impostazione</i>) | K. Tasto di blocco / sblocco |

* La spia LED Power è verde quando il compressore è in funzione. È arancione quando il compressore non è in funzione (per es.: quando il frigorifero ha raggiunto la temperatura di riferimento).

5 INSTALLAZIONE

5.1 Installazione generica

Quando si sceglie una posizione di installazione del frigorifero ARB, si deve tenere conto delle seguenti indicazioni.

- Si deve mantenere una distanza libera minima di 50 mm da tutti i lati del frigorifero.
- Sia che l'installazione sia permanente, sia che sia temporanea, il frigorifero deve essere fissato a punti di ancoraggio ben saldi.
- La posizione di montaggio ideale per il frigorifero è su una superficie orizzontale piana. Se il frigorifero è soggetto ad angolazioni laterali (per es.: inclinazione laterale su un'imbarcazione), può sopportare un'angolazione laterale di 30°.
- Evitare di posizionare il frigorifero vicino ad oggetti acuminati o molto caldi.
- Evitare di posizionare il frigorifero accanto ad oggetti non vincolati che potrebbero cadere sul contenitore e ostacolarne il funzionamento.
- Non porre mai in funzione il frigorifero in prossimità di liquidi o vapori infiammabili.
- Evitare di ruotare o riporre il frigorifero appoggiandolo sul fianco.

5.2 Installazione su veicolo

5.2.1 Montaggio permanente

Il frigorifero ARB può essere fissato in modo permanente a una superficie solida piana mediante i quattro inserti filettati presenti nella sua base oppure mediante il kit di montaggio su superficie solida ARB. Se il frigorifero verrà rimosso periodicamente, fare riferimento al paragrafo 5.2.2 (montaggio temporaneo).

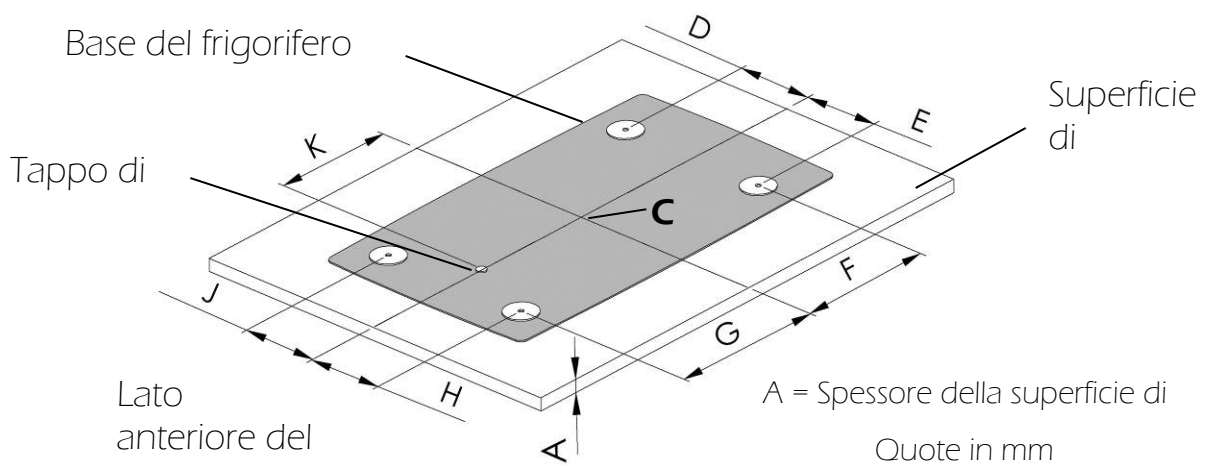
Per ulteriori informazioni sul kit di montaggio su superficie solida ARB, consultare le istruzioni fornite con il kit.

Per montare in modo permanente il frigorifero mediante gli inserti filettati presenti nella base del frigorifero:

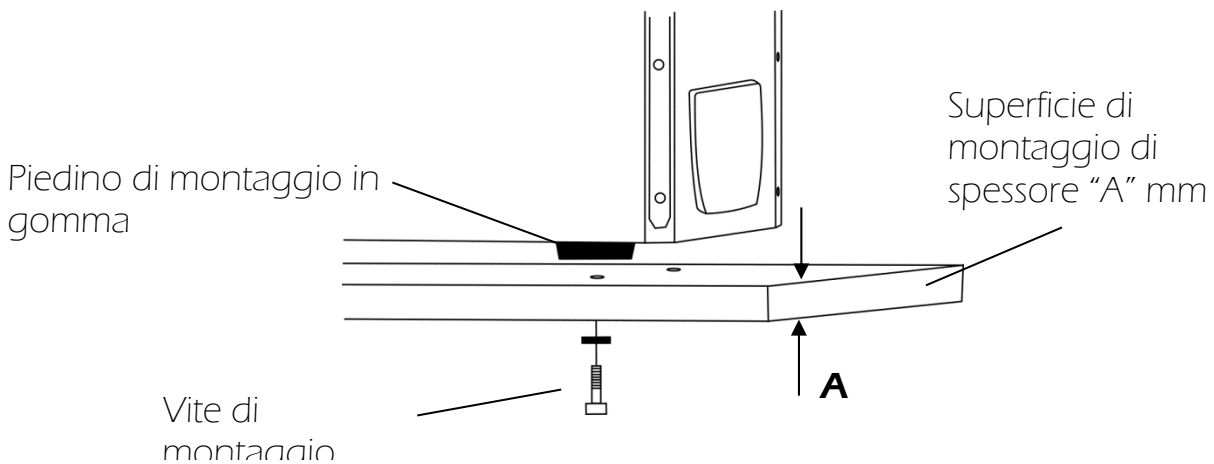
- Posizionare il frigorifero sulla superficie di montaggio in corrispondenza dell'ubicazione desiderata e contrassegnare il contorno del contenitore.
- Togliere il frigorifero e contrassegnare il centro del contenitore. Il centro è rappresentato dal punto C nella figura 5a.
- Contrassegnare e praticare quattro fori da 6,5 mm nella superficie di montaggio utilizzando come guida lo schema illustrato nella figura 5a.
- Per utilizzare il tappo di scarico, contrassegnare e praticare un foro da 13 mm nella superficie di montaggio in corrispondenza del punto indicato nella figura 5a.
- Togliere la vite M6 dal centro di ciascuno dei quattro piedini di gomma in modo da scoprire gli inserti filettati. Garantire che i piedini di gomma rimangano nella base del contenitore.
- Posizionare il frigorifero sulla superficie di montaggio in modo che i fori praticati combacino con gli inserti filettati presenti nel contenitore.
- Fissare il contenitore alla superficie di montaggio mediante viti M6 come illustrato nella figura 5b. Quando si serrano le viti M6, non superare la coppia di montaggio del dispositivo di fissaggio pari a 3,5 Nm (2,5 lbft). ARB consiglia di non applicare alcun frenafili sui filetti delle viti.

NOTA :

- ***I piedini di gomma devono essere inseriti tra la base del contenitore e la superficie di montaggio.***
- ***Se sono necessarie viti più lunghe, si devono utilizzare viti a testa cilindrica con esagono incassato ad alta resistenza a trazione M6 x 1.0 con un grado minimo di 8,8. Onde evitare di danneggiare i componenti elettrici all'interno del frigorifero, la lunghezza delle viti deve essere aumentata soltanto dello spessore della superficie di montaggio (quota "A" nella figura 5a) più 8 mm per tenere conto della rientranza nei piedini di gomma.***
- ***Quando si tolgono le viti M6, evitare di ruotare il frigorifero sul fianco.***

Figura 5a


Capacità del frigorifero	D	E	F	G	H	J	K
60/63qz (mm/in)	182/7,2	182/7,2	365/14,4	365/14,4	182/7,2	182/7,2	266/10,5

Figura 5b


5.2.2 Montaggio temporaneo

ARB consiglia di utilizzare il kit di fissaggio ARB per fissare il frigorifero a punti di ancoraggio solidi. Questo kit comprende una funzione di sgancio rapido per consentire lo sgancio rapido e agevole del frigorifero dalla relativa posizione di fissaggio.

6 MODALITÀ D'USO

6.1 Prima dell'uso

Prima di avviare il frigorifero per la prima volta occorre pulirlo all'interno e all'esterno con un panno umido. Fare riferimento al capitolo 7, "Pulizia e manutenzione" per ulteriori informazioni sulla manutenzione del frigorifero.

6.2 Trasporto del frigorifero

Il frigorifero ARB è munito di una maniglia in corrispondenza di ciascuna estremità del contenitore. Queste maniglie devono essere utilizzate per sollevare e trasportare il frigorifero.

AVVERTENZA – *I fermi del coperchio NON DEVONO essere MAI utilizzati per sollevare o trasportare il frigorifero.*

ATTENZIONE – *Il frigorifero deve essere sollevato sempre da almeno due persone adottando le tecniche di sollevamento corrette.*

6.3 Apertura del frigorifero

Il frigorifero ARB è dotato di due fermi del coperchio con azionamento oltre il punto morto che provvedono alla chiusura meccanica tra coperchio, contenitore e tenuta del coperchio.

Per aprire il coperchio:

- Posizionare la mano sotto ciascun fermo e tirarlo allontanandolo dal corpo del frigorifero.
- Una volta sbloccati, sganciare i fermi dal coperchio e aprire il frigorifero. Fare riferimento alla figura 6a.

Per chiudere il coperchio:

- Posizionare ciascun fermo sui dispositivi di arresto presenti nel coperchio e premere verso il corpo del frigorifero.
- I fermi scatteranno producendo un rumore secco al momento della chiusura. Fare riferimento alla figura 6b.

Figura 6a

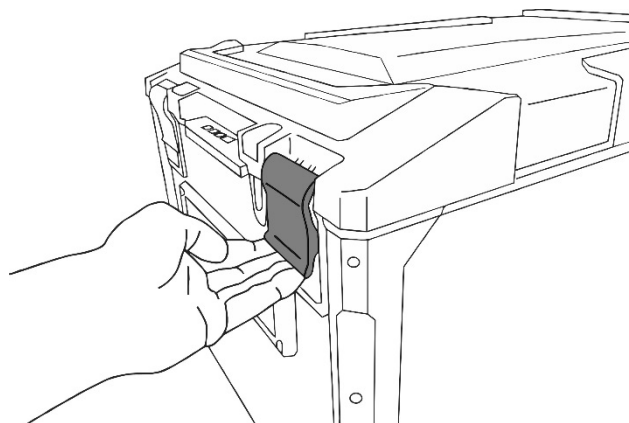
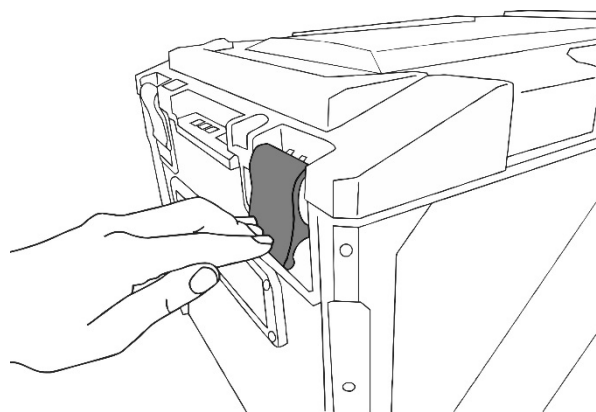


Figura 6b



6.4 Collegamento del frigorifero

6.4.1 Collegamento a 100-240 V c.a.

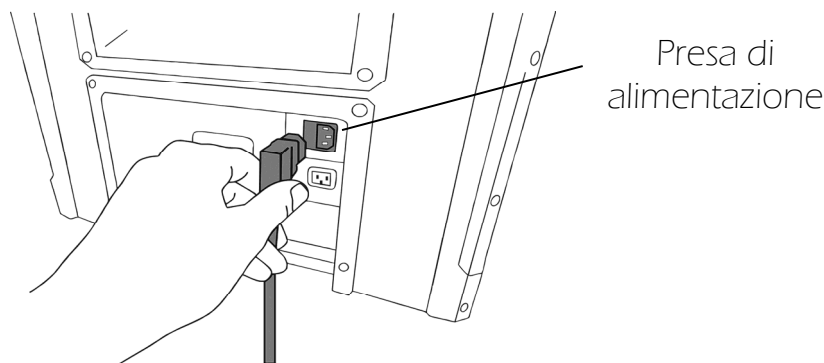
Il frigorifero ARB può funzionare con una tensione di 100 – 240 V c.a.. L'apparecchio è dotato di un circuito di priorità che dà priorità all'alimentazione di rete c.a. rispetto all'alimentazione c.c.. Se il frigorifero è collegato ad entrambe le alimentazioni c.a. e c.c., l'apparecchio funzionerà esclusivamente con l'alimentazione c.a.

NOTA: Il LED rosso sul quadro comandi può illuminarsi brevemente quando la tensione di alimentazione viene commutata da c.a. a c.c. e viceversa.

Per collegare il frigorifero a un'alimentazione di 100 – 240 V c.a.:

- Inserire il cavo di alimentazione da 100-240 V nella presa di alimentazione c.a. sul pannello posteriore del frigorifero come illustrato nella figura 7.
- Collegare l'estremità libera del cavo di alimentazione a un'alimentazione da 100 – 240 V c.a.

Figura 7



ATTENZIONE – Non maneggiare mai le spine, i cavi o gli interruttori con le mani bagnate o mentre si staziona su una superficie bagnata.

ATTENZIONE – Se si utilizza il frigorifero con un'alimentazione di 100-240 V c.a., nel circuito deve essere installato un interruttore differenziale. ARB consiglia di rivolgersi a un tecnico qualificato.

6.4.2 Collegamento a un gruppo elettrogeno

Prima di collegare il frigorifero a un gruppo elettrogeno, prendere nota delle seguenti indicazioni.

- Il gruppo elettrogeno deve essere dotato di regolatore automatico di tensione. Deve erogare una tensione c.a. standard puramente sinusoidale, senza fluttuazioni di tensione o frequenza (per es.: 120 V c.a. a 60 Hz oppure 240 V c.a. a 50 Hz).
- Quando si utilizza l'uscita c.c. del gruppo elettrogeno, tra quest'ultimo e il frigorifero si deve collegare una batteria avente la corretta tensione (12 o 24 V).
- Quando si avvia o si arresta il gruppo elettrogeno, il frigorifero deve essere spento.

ATTENZIONE – Alcuni gruppi elettrogeni non sono adatti all'alimentazione del frigorifero.

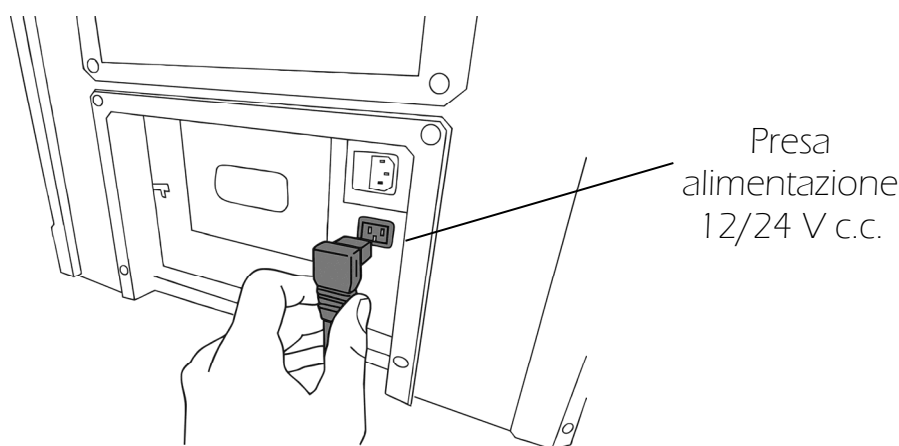
6.4.3 Collegamento a 12/24 V c.c.

Il frigorifero ARB può essere alimentato a 12 V o 24 V c.c.. L'apparecchio è dotato di un circuito di controllo al fine di evitare l'inversione di polarità quando lo si collega a una batteria.

Per collegare il frigorifero a un'alimentazione a 12 V o 24 V c.c.:

- Inserire il cavo di alimentazione a 12/24 V nella presa di alimentazione c.c. sul pannello posteriore del frigorifero come illustrato nella figura 8.
- Collegare l'estremità libera del cavo di alimentazione a un'alimentazione elettrica a 12 V o 24 V c.c. munita di idonei fusibili. Per informazioni sul cablaggio c.c. e i relativi fusibili, fare riferimento al paragrafo 6.4.4.

Figura 8



6.4.4 Requisiti di cablaggio a 12/24 V c.c.

Per garantire le prestazioni ottimali del frigorifero, è importante che il cablaggio utilizzato abbia una portata idonea per il carico. Il cablaggio per gli utilizzatori in molti veicoli non è idoneo a tale scopo.

ARB raccomanda di installare un circuito di cablaggio dedicato all'alimentazione elettrica del frigorifero. Questo circuito deve essere il più corto possibile e collegato direttamente all'alimentazione elettrica tramite un fusibile da 15 A. Il kit di cablaggio c.c. ARB fornisce tutto il materiale necessario a realizzare tale circuito.

Per un'installazione su veicoli o imbarcazioni, ARB raccomanda di collegare il circuito di cablaggio a un'alimentazione elettrica isolata, come un sistema di batterie ausiliario. In tal modo si eviterà di scaricare la batteria principale.

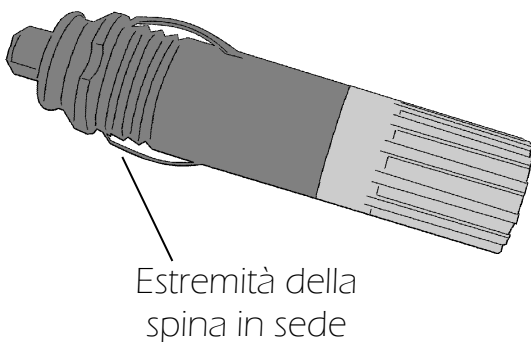
Per cavi di lunghezza fino a 6 m (20'), ARB raccomanda l'impiego di un cavo per uso automobilistico dal diametro minimo di 6 mm (4,5 mm² / AWG11).

Per cavi di lunghezza maggiore di 6 m (20'), ARB raccomanda di rivolgersi a un tecnico qualificato per farsi consigliare la sezione corretta del cavo.

6.4.5 Presa di alimentazione 12/24 V c.c.

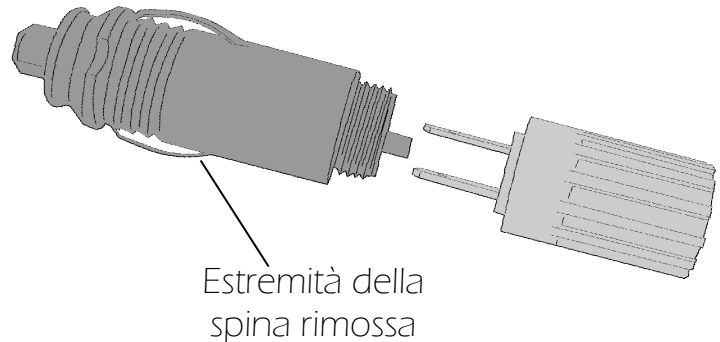
La spina sul cavo di alimentazione elettrica a 12/24 V c.c. è dotata di un'estremità amovibile. Con l'estremità in sede, come illustrato nella figura 9a, tale spina si inserisce in una normale presa di alimentazione utilizzatori elettrici (accendisigari). Con l'estremità rimossa, come illustrato nella figura 9b, la spina si inserisce in una presa di alimentazione ausiliaria bipolare ARB.

Figura 9a



Estremità della
spina in sede

Figura 9b



Estremità della
spina rimossa

ARB consiglia vivamente di utilizzare questa connessione bipolare per tutti i collegamenti a 12 V c.c. e 24 V c.c. del frigorifero. In tal modo si otterrà una connessione sicura e salda tra la fonte di alimentazione e il frigorifero.

Quando si sceglie un'ubicazione per la presa di alimentazione elettrica ausiliaria del frigorifero, occorre conto delle seguenti raccomandazioni:

- Posizionare la presa di alimentazione elettrica il più vicino possibile al frigorifero.
- Posizionare la presa di alimentazione elettrica in un punto comodo, che permetta all'utente di collegare e scollegare agevolmente la spina dalla presa
- Posizionare la presa di alimentazione elettrica in un punto protetto al riparo da polvere e umidità.
- Posizionare la presa in alto nel veicolo per evitare che si bagni qualora nel veicolo penetrasse dell'acqua.

NOTA – Se la spina o la ghiera adattatrice vengono rimossi e il frigorifero viene collegato a un circuito a 12 V o 24 V c.c., nel circuito deve essere compreso un fusibile in linea da 15 A.

6.5 Accensione e spegnimento del frigorifero

Per accendere e spegnere il frigorifero ARB:

- Aprire il coperchio
- Premere e tenere premuto il tasto  per 2 – 3 secondi.

Quando il frigorifero si accende, la spia LED Power emette una luce verde.

Sul display verrà visualizzata la temperatura attuale del contenitore.






NOTA – La temperatura attuale del contenitore è quella rilevata al centro del contenitore. La temperatura in altre zone del contenitore può discostarsi da tale temperatura.

Per spegnere il frigorifero:

- Aprire il coperchio
- Premere e tenere premuto il tasto  per 2 – 3 secondi.
- Quando il frigorifero si spegne, la spia LED Power e il display si spegneranno.

6.6 Impostazione della temperatura di riferimento del contenitore

Per impostare la temperatura del contenitore del frigorifero ARB:




- Aprire il coperchio e accendere il frigorifero.
- Premere il tasto  una sola volta per visualizzare la temperatura di riferimento attuale del contenitore.
- Premere il tasto  per aumentare la temperatura di riferimento di un grado.
- Premere il tasto  per diminuire la temperatura di riferimento di un grado.
- Continuare a premere il tasto  o il tasto  fino a giungere alla temperatura di riferimento del contenitore desiderata.
- Dopo 5 - 6 secondi di inattività, il display lampeggerà e tornerà a visualizzare la temperatura attuale del contenitore.

NOTA – Quando la temperatura di riferimento viene raggiunta, il compressore si arresta e la luce emessa dalla spia LED Power diventa di colore arancione.

6.7 Cambio di indicazione da °C a °F e viceversa

Il frigorifero ARB è in grado di visualizzare la temperatura in gradi Celsius (°C) o in gradi Fahrenheit (°F.)

Per cambiare la visualizzazione da °C a °F e viceversa:

- Aprire il coperchio e accendere il frigorifero.
- Premere due volte il tasto  per visualizzare l'impostazione attuale dell'unità di misura della temperatura.
- Premere il tasto  o il tasto  per cambiare da °C in °F e viceversa.
- Dopo 5 - 6 secondi di inattività, il display lampeggerà e tornerà a visualizzare la temperatura attuale del contenitore.

6.8 Cambio del canale di trasmissione

Il frigorifero ARB può essere utilizzato con il display per frigorifero wireless ARB (venduto a parte) che permette di scegliere tra 4 canali di trasmissione.

Per cambiare il canale di trasmissione:


- Aprire il coperchio e accendere il frigorifero.
- Premere quattro volte il tasto  per visualizzare il canale di trasmissione attuale (per es.: ).
- Premere il tasto  o il tasto  per cambiare il canale in Ch1, Ch2, Ch3 o Ch4.
- Dopo 5 - 6 secondi di inattività, il display lampeggerà e tornerà a visualizzare la temperatura attuale del contenitore.

Fare riferimento alle istruzioni fornite con il display per frigorifero wireless ARB per le informazioni sull'installazione e sull'uso di quest'ultimo.

6.9 Modifica della luminosità del quadro comandi

La luminosità del display del quadro comandi sul frigorifero ARB è regolabile.


Per modificare la luminosità del display del quadro comandi:

- Aprire il coperchio e accendere il frigorifero.
- Premere cinque volte il tasto  per visualizzare .
- Premere il tasto  o il tasto  per passare da uno all'altro dei due livelli di luminosità.
- Dopo 5 - 6 secondi di inattività, il display lampeggerà e tornerà a visualizzare la temperatura attuale del contenitore.

6.10 Visualizzazione della tensione di alimentazione

Il frigorifero ARB può visualizzare la tensione di alimentazione ad esso fornita.

Per visualizzare la tensione di alimentazione:

- Aprire il coperchio e accendere il frigorifero.
- Premere il tasto 






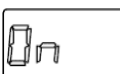
Quando il frigorifero è collegato a un'alimentazione c.c., verrà visualizzata la tensione di alimentazione

Quando il frigorifero è collegato a un'alimentazione c.a., verrà visualizzata la dicitura "AC"




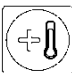

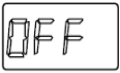
6.11 Serratura elettronica

Il frigorifero ARB può essere bloccato per impedire l'accesso al vano di raffreddamento ed eventuali modifiche alle impostazioni del quadro comandi. Questo bloccaggio è comandato mediante il quadro comandi sulla parte anteriore del frigorifero. Quando il frigorifero è nuovo, il bloccaggio è disattivato e deve essere attivato prima dell'uso.


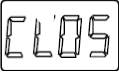
6.11.1 Per attivare la serratura elettronica


- Aprire il coperchio e accendere il frigorifero.
- Premere e tenere premuto il tasto  per 3 - 5 secondi.
- Immettere il codice. Salvo sia stato modificato, il codice predefinito è 
.
- Premere il tasto  o il tasto  per selezionare .
- Dopo 3-5 secondi di inattività, il display lampeggerà 3 volte e tornerà a visualizzare la temperatura attuale del contenitore.

6.11.2 Per disattivare la serratura elettronica

- Aprire il coperchio e accendere il frigorifero.
- Premere e tenere premuto il tasto  per 3-5 secondi.
- Immettere il codice. Salvo sia stato modificato, il codice predefinito è 
.
- Premere il tasto  o il tasto  per selezionare .
- Dopo 3-5 secondi di inattività, il display lampeggerà 3 volte e tornerà a visualizzare la temperatura attuale del contenitore.

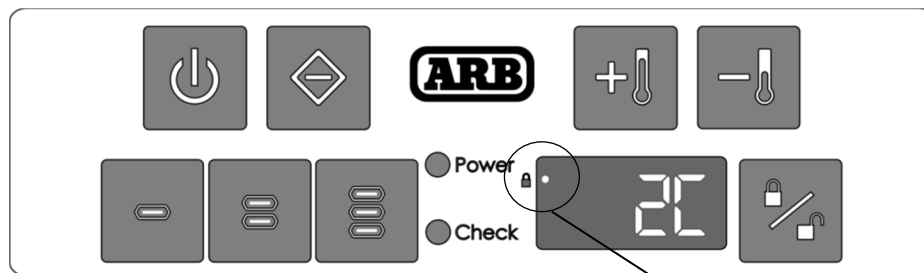
6.11.3 Per bloccare il frigorifero

- Accendere il frigorifero e chiudere il coperchio.
- Premere il tasto  per bloccare il frigorifero.
- Mentre il frigorifero viene bloccato, la scritta  lampeggerà 3 volte. Vi sarà un solo punto visibile nell'angolo superiore sinistro (SX) del display per indicare che il frigorifero è bloccato, come illustrato nella figura 10.

NOTA: *Se la serratura elettronica non è attivata, verrà visualizzata la scritta .*

Se il coperchio non è chiuso, il frigorifero non si blocca.

Figura 10.



Simboli
serratura

6.11.4 Per sbloccare il frigorifero

- Premere il tasto per sbloccare il frigorifero.
- Immettere il codice di 4 cifre mediante il quadro comandi.
- Mentre il frigorifero si sblocca, la scritta lampeggerà per 3 volte.

NOTA: Se viene immesso il codice errato, verrà visualizzato il messaggio .

Se la serratura elettrica viene disattivata verrà visualizzata la scritta .

6.11.5 Per cambiare il codice di accesso

- Aprire il coperchio e accendere il frigorifero.
- Premere e tenere premuto il tasto per 3 secondi.
- Immettere il codice di 4 cifre. Il codice predefinito è .
- Premere il tasto o il tasto per selezionare .
- Attendere finché non viene visualizzata la scritta .
- Immettere il nuovo codice di 4 cifre - per es.: . Notare l'unico punto nell'angolo superiore sx per indicare la prima immissione.
- Verrà visualizzata nuovamente la scritta .
- Immettere nuovamente il nuovo codice di 4 cifre - Per es.: . Notare i due punti nell'angolo superiore sx per indicare la seconda immissione.

NOTA: Se i nuovi codici non sono identici, verrà visualizzato il messaggio e all'utente verrà chiesto di immettere nuovamente i nuovi codici.

6.12 Uso del monitor della batteria

Il frigorifero ARB è dotato di monitor della batteria per controllare il livello di scarica della batteria. Il monitor della batteria prevede 3 impostazioni; HIGH, MEDIUM e LOW. Quando è impostato ad HIGH, il monitor della batteria fornirà la massima protezione della batteria dalla scarica eccessiva. Quando è impostato a LOW, il monitor della batteria consentirà il massimo utilizzo dell'energia immagazzinata nella batteria. Nella tabella 1 sono riportati i livelli di arresto della tensione per le tre impostazioni di monitoraggio della batteria.

Se il frigorifero può funzionare con il commutatore di accensione del veicolo disinserito, il monitoraggio della batteria farà spegnere l'apparecchio non appena la tensione di alimentazione scenderà al di sotto del livello impostato. Il frigorifero si riavvierà automaticamente una volta raggiunta la tensione di riavvio.

NOTA – Quando il monitor della batteria è attivo, il gruppo frigorifero (compreso il compressore) non funziona. La spia LED Power sul quadro comandi è spenta e la spia LED Check lampeggia emettendo una luce ROSSA. Il gruppo frigorifero non si riavvia finché il livello di tensione della batteria non raggiunge il valore della tensione di riavvio indicato nella tabella 1.

Tabella 1




	MODALITÀ MONITOR BATTERIA		
	LOW	MED	HIGH
Tensione di spegnimento – 12 V c.c.	10,1 V	11,4 V	11,8 V
Tensione di riavvio – 12 V c.c.	11,1 V	12,2 V	12,6 V
Tensione di spegnimento – 24 V c.c.	21,5 V	24,1 V	24,6 V
Tensione di riavvio – 24 V c.c.	23,0 V	25,3 V	26,2 V

Se il frigorifero è collegato alla batteria di avviamento di un impianto a 12/24 V c.c., ARB raccomanda di impostare il livello del monitor della batteria a HIGH/MEDIUM.

Se il frigorifero è collegato a una batteria ausiliaria su un impianto a 12/24 V c.c., ARB raccomanda di impostare il livello del monitor della batteria a LOW.

NOTA - ARB consiglia di ricaricare la batteria dopo l'intervento del monitor della batteria. ARB consiglia inoltre di spegnere tutte le apparecchiature elettriche non essenziali che assorbono energia elettrica dalla stessa fonte di alimentazione del frigorifero finché la batteria non è completamente ricaricata.

Per cambiare il livello di protezione della batteria:

- Aprire il coperchio e accendere il frigorifero.
- Premere tre volte il tasto  per visualizzare l'impostazione attuale di protezione della batteria.
- Premere il tasto  o il tasto  per cambiare la tensione di protezione della batteria impostandola ad uno dei livelli High (HI), Medium (nEd) o Low (Lo).
- Dopo 5 - 6 secondi di inattività, il display lampeggerà e tornerà a visualizzare la temperatura attuale del contenitore.



6.13 Uso del cestello

Il frigorifero ARB è fornito con un cestello metallico rovesciabile che aiuta a proteggere le pareti interne del contenitore del frigorifero. Il cestello può essere inserito con il lato alto contro il lato anteriore del frigorifero, come illustrato nella figura 11a. Ciò permette di adagiare oggetti lunghi lungo la sezione superiore del contenitore del frigorifero. Il cestello può essere riposizionato anche in modo che il lato alto di quest'ultimo si trovi al centro del contenitore, come illustrato nella figura 11b. In tal modo si crea un divisorio ad altezza intera tra le zone di raffreddamento principale e secondaria.

Figura 11a

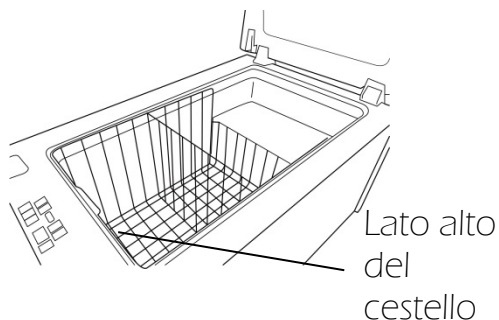


Figura 11b



Per togliere il cestello dal contenitore:

- Sollevare il cestello verticalmente ed estrarlo dal contenitore del frigorifero. Alcuni modelli sono dotati di cestello fisso. Per rimuovere tali tipi di cestelli, togliere il dispositivo di fissaggio e rimontarlo quando si riposiziona il cestello.

Per rimontare il cestello nel contenitore:

- Inserire il cestello nel contenitore del frigorifero. Il cestello è posizionato correttamente quando la sua base è a contatto con la base del contenitore del frigorifero.
- Se necessario, fissare il cestello mediante il dispositivo di fissaggio originario.

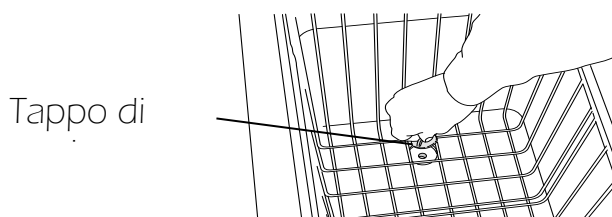
6.14 Divisorio del cestello

Il frigorifero ARB è fornito con un divisorio amovibile del cestello che può essere rimosso facilmente sollevandolo ed estraendolo verticalmente dal cestello. Quando lo si rimonta, è importante che il divisorio del cestello sia posizionato tra le scanalature presenti sui lati del cestello metallico. Per i modelli con divisorio fisso, quest'ultimo non deve essere staccato dal cestello.

6.15 Tappo di scarico

Il frigorifero ARB è dotato di un tappo di scarico amovibile nella base del contenitore come illustrato nella figura 12. Il tappo di scarico può essere rimosso per scaricare il liquido dal contenitore del frigorifero.

Figura 12



Per rimuovere il tappo di scarico:

- Aprire il coperchio del frigorifero.
- Afferrare il tappo di scarico con le dita.
- Sollevare delicatamente il tappo ed estrarlo dalla base del contenitore.

Per rimontare il tappo di scarico:

- Aprire il coperchio del frigorifero.
- Posizionare la punta del tappo di scarico nel foro di scarico.
- Applicare una leggera pressione sul tappo di scarico in modo da inserirlo nel foro di scarico. Il tappo di scarico è posizionato correttamente quando il labbro del tappo di scarico è a stretto contatto con la base del contenitore.

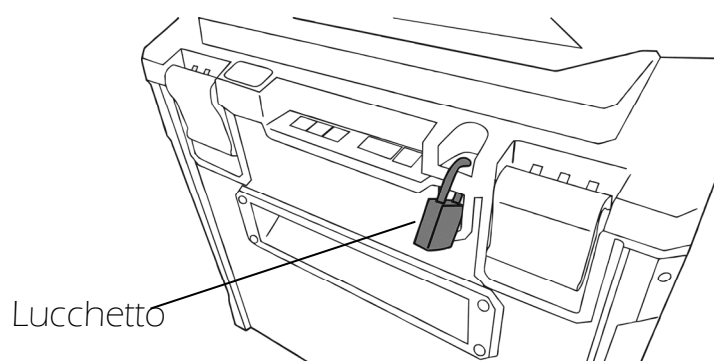
NOTA – È importante che il tappo di scarico venga rimontato prima dell'uso del frigorifero

6.16 Chiusura del frigorifero con un lucchetto

La chiusura del frigorifero ARB può essere bloccata con un lucchetto al fine di impedire l'accesso al vano frigorifero ed eventuali modifiche alle impostazioni del quadro comandi.

Per bloccare il frigorifero, inserire un lucchetto tra il coperchio e il contenitore, come illustrato nella figura 13.

Figura 13.



6.17 Fascetta fermacavo

Il frigorifero ARB è fornito con una fascetta di tela che può essere utilizzata per trattenere i cavi di alimentazione quando non sono utilizzati.

Per montare la fascetta:

1. Partendo dal fondo, inserire l'estremità libera della fascetta in entrambe le fibbie sul retro del frigorifero come illustrato nella figura 14a.
2. Riunire i cavi e collocarli tra i punti della fascetta.
3. Far passare l'estremità libera della fascetta sopra il cavo e attraverso l'asola. Stringere la fascetta e fissarla alla stessa come illustrato nella figura 14b.

NOTA: Quando non è utilizzata, la fascetta può essere stretta e conservata in sede sul retro del frigorifero.

Figura 14a

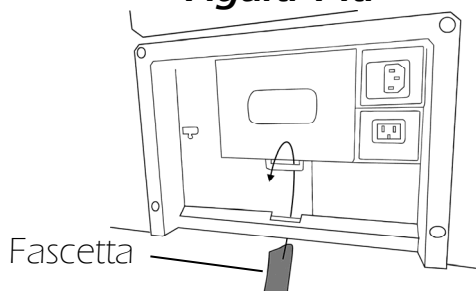
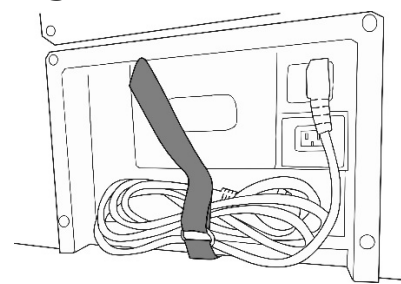


Figura 14b



6.18 Suggerimenti per il risparmio energetico

Per aiutare a ottenere prestazioni ottimali dal frigorifero, ARB consiglia quanto segue.

- Collocare il frigorifero in una zona ben ventilata al riparo dalla luce diretta del sole.
- Cercare di ridurre al minimo la frequenza di apertura del frigorifero.
- Non lasciare il coperchio aperto più a lungo del necessario.
- Evitare di impostare la temperatura di riferimento a un valore inutilmente basso.
- Sbrinare il frigorifero una volta che comincia a formarsi del ghiaccio.

6.19 Sbrinamento del frigorifero

Di tanto in tanto, all'interno del frigorifero ARB può formarsi del ghiaccio. Ciò può ridurre sia la capacità interna, sia l'efficienza termica. ARB consiglia di sbrinare periodicamente il frigorifero.

Per sbrinare il frigorifero ARB:

- Rimuovere quanto contenuto nel frigorifero.
- Spegnerne il frigorifero.
- Aprire il coperchio in modo che l'aria a temperatura esterna faccia fondere il ghiaccio.
- Togliere il tappo di scarico e lasciare fuoriuscire l'acqua dal contenitore.
- Pulire il contenitore con un panno morbido per rimuovere l'acqua residua.

AVVERTENZA: Non utilizzare oggetti duri o appuntiti per sbrinare il frigorifero o ammorbidire e staccare oggetti che sono rimasti congelati in sede.

6.20 Sostituzione del fusibile della spina (12/24 V)

Il frigorifero è dotato di un fusibile situato nella spina a 12/24 V c.c.

ATTENZIONE – *Prima di sostituire il fusibile della spina, scollegare il frigorifero da tutte le fonti di alimentazione elettrica.*

Per sostituire il fusibile della spina:

- Separare e rimuovere l'alloggiamento superiore dal corpo della spina svitandolo come illustrato nella figura 15a.
- Sostituire il fusibile difettoso con un fusibile nuovo avente lo stesso amperaggio. La sigla relativa alle caratteristiche nominali del fusibile è 3AG da 10 A. Fare riferimento alla figura 15b.
- Riasssemblare la spina invertendo l'ordine delle operazioni appena descritte.

Figura 15a

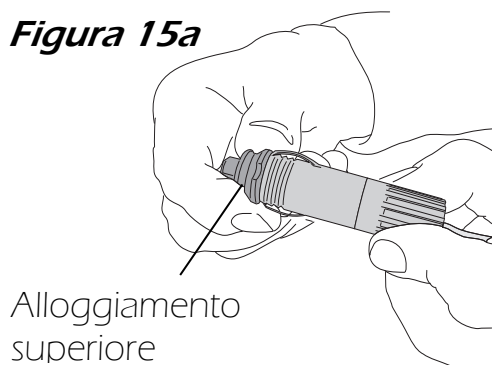
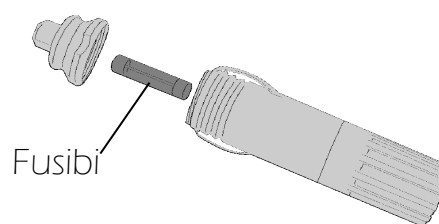


Figura 15b



6.21 Sostituzione del fusibile del contenitore

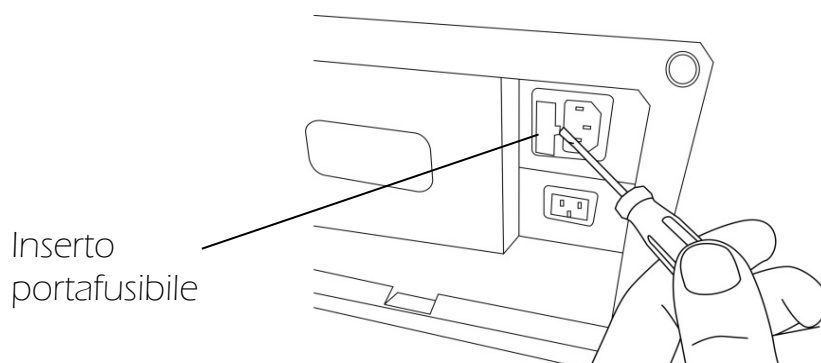
Il frigorifero è dotato di un fusibile posto nel retro del contenitore.

ATTENZIONE – *Prima di sostituire il fusibile del contenitore, scollegare il frigorifero da tutte le fonti di alimentazione elettrica.*

Per sostituire il fusibile del contenitore:

- Staccare i cavi di alimentazione c.a. e c.c. dalle prese di alimentazione elettrica.
- Estrarre l'inserto portafusibile dal pannello posteriore del frigorifero come illustrato nella figura 16. Per poter far leva più agevolmente sull'inserto ed estrarlo dal relativo alloggiamento può essere necessario servirsi di un piccolo cacciavite a lama piatta.
- Sostituire il fusibile difettoso con uno nuovo avente lo stesso amperaggio. L'amperaggio corretto del fusibile è 4 A e la sigla di identificazione è la seguente: F4L250V.
- Reinscrivere l'inserto portafusibile nel relativo alloggiamento.

Figura 16a



6.22 Conservazione del frigorifero

Se si conserva il frigorifero per un periodo prolungato di tempo, ARB raccomanda quanto segue.

- Spegnerne il frigorifero e scollegarlo da tutte le fonti di alimentazione elettrica.
- Togliere tutto dal suo interno tranne il cestello e il divisorio del cestello.
- Lasciare il coperchio leggermente aperto per permettere l'aerazione del contenitore.

SUGGERIMENTO – Per garantire che il coperchio rimanga aperto, sollevare il coperchio e posizionare i fermi del coperchio sopra il contenitore, quindi abbassare delicatamente il coperchio su di essi. Per un'ulteriore ventilazione, togliere il tappo di scarico.

7 PULIZIA E MANUTENZIONE

Per pulire l'interno o l'esterno del frigorifero, utilizzare un panno umido e acqua tiepida contenente un detergente neutro per pulizie domestiche non abrasivo. Le superfici in acciaio inossidabile possono essere pulite con un detergente per acciaio inossidabile di buona qualità. I graffi e i segni di minore entità possono essere rimossi dall'acciaio inossidabile utilizzando un lucido per acciaio inossidabile di buona qualità.

Se il frigorifero funziona in ambienti polverosi, ARB raccomanda di pulirne periodicamente le superfici esterne onde evitare l'accumulo di sporcizia e sabbia. In particolare, ARB raccomanda di pulire regolarmente intorno ai meccanismi delle cerniere e all'involucro del motore. Per pulire intorno all'involucro del motore, collocare il frigorifero in una zona ben ventilata e utilizzare un aspirapolvere o un leggero getto di aria compressa.

AVVERTENZA – In nessun caso deve essere rimosso l'involucro del motore.

Prima di pulire il frigorifero, prendere nota delle seguenti raccomandazioni.

- Prima di pulire o sottoporre a manutenzione l'apparecchio, staccare sempre l'alimentazione elettrica ed estrarre le spine dal frigorifero.
- Non utilizzare oggetti duri o prodotti detergenti abrasivi per pulire il frigorifero.
- Non utilizzare spazzole, spugne abrasive o attrezzi rigidi o appuntiti per sbrinare il frigorifero.
- Non pulire il frigorifero sotto acqua corrente o con una idropulitrice ad alta pressione.

8 SMALTIMENTO

Quando possibile, riporre il materiale di imballaggio negli appositi contenitori per rifiuti adibiti alla raccolta differenziata.

Se si desidera smaltire definitivamente il frigorifero, rivolgersi al centro di raccolta o al concessionario ARB autorizzato della propria zona per ottenere informazioni sulla modalità di smaltimento in conformità alle norme vigenti in materia da adottare.

9 CARATTERISTICHE TECNICHE

Capacità complessiva – Litri (quarti di gall.)	60 (63)
Tipo	10800050
Categoria	1
Consumo energetico annuo (kWh/anno)	90
Classe climatica	N,T
Indice di efficienza energetica (EEI)	A+
Tensione di collegamento (escluso il Nordamerica)	12/24 V c.c. e 100-240 V c.a.
Tensione di collegamento per il Nordamerica	12/24 V c.c. e 120 V c.a. ~ 60 Hz
Corrente nominale	
- 12 V c.c.	6,8 A
- 24 V c.c.	3,4 A
- 100-240 V c.a.	1,0 – 0,5 A
- 120 V c.a.	1,0 A
Capacità frigorifera	Da + 10 °C a -18 °C (da +50 °F a 0 °F)
Temperatura esterna	Da +16 °C a +43 °C (da +70 °F a +109 °F)
Peso – Netto - kg (libbre)	32 (70)
Rumore (dbA)	50
Refrigerante - R134a – g (once)	58 (2.0)
Dimensioni esterne – mm (poll.) – Figura 17a	
- H1	435 (17,3)
- W1	490 (19,3)
- D1	820 (32,3)
Dimensioni interne – mm (poll.) – Figura 17b	
- H2	332 (13,1)
- H3	144 (5,7)
- W2	355 (14,0)
- D2	477 (18,8)
- D3	633 (24,9)

Nota: La massima capacità frigorifera è 50 °C (122 °F) al di sotto della temperatura esterna. Se la temperatura esterna è maggiore di 32 °C (90 °F), la temperatura minima non può essere raggiunta.

Figura 17a

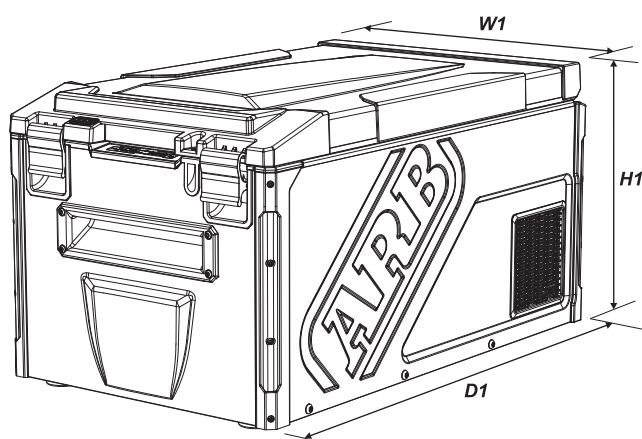
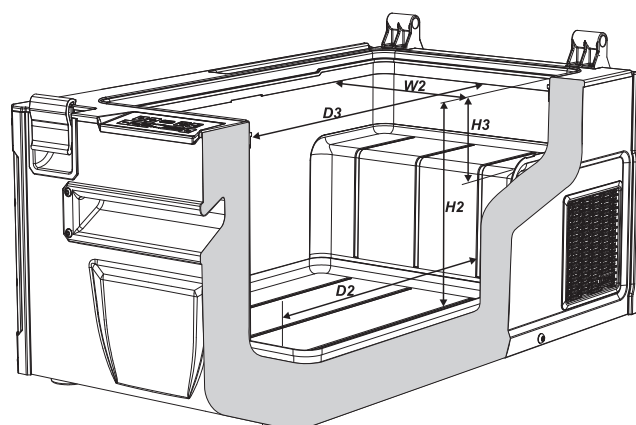


Figura 17b



Questo dispositivo è privo di CFC. Il circuito del liquido di raffreddamento contiene R134a. La rimozione o la ricarica del refrigerante deve essere effettuata esclusivamente da un meccanico della refrigerazione autorizzato.

10 GARANZIA

ARB garantisce i Prodotti ARB esenti da difetti di manodopera e dei materiali per il Periodo di validità della Garanzia. Se durante il Periodo di validità della Garanzia si manifestassero difetti della manodopera o dei materiali, ARB sostituirà o riparerà il Prodotto difettoso.

I benefici per il cliente concessi dalla presente garanzia sono in aggiunta agli altri diritti e risarcimenti del cliente a norma di legge in relazione alle merci o ai servizi a cui si riferisce la garanzia.

- 1) Nella presente garanzia:
 - **ARB** significa ARB Corporation Limited (ABN 31 006 708 756), 42-44 Garden St, Kilsyth Victoria 3137
 - **Punto vendita ARB** significa un punto vendita che è stato autorizzato da ARB a vendere e montare Prodotti ARB
 - **Prodotto ARB** significa prodotto che ARB fabbrica o per il quale ARB è il fornitore esclusivo
 - **Informazioni sul prodotto** significa le informazioni sul Prodotto ARB pertinente che possono essere contenute in qualsivoglia documentazione fornita con i Prodotti ARB, manuale utente, manuale per l'uso, manuale di assistenza tecnica del manuale del costruttore o etichette apposte sul Prodotto ARB
 - **Periodo di validità della Garanzia** significa, rispetto a un Prodotto ARB, il periodo per cui vale la presente Garanzia da difetti e che è stabilito nelle tabelle di cui al capoverso 8.
- 2) Per avere diritto ad esigere la garanzia, il cliente deve:
 - a) avere il Prodotto ARB montato in conformità alle Informazioni sul Prodotto
 - b) avere sottoposto a normale cura e manutenzione il Prodotto ARB, ivi compresa qualsiasi cura e manutenzione richiesta dalle Informazioni sul Prodotto
 - c) fornire prova di acquisto del Prodotto ARB
 - d) effettuare le richieste entro il Periodo di validità della Garanzia
- 2) La garanzia non vale nei casi in cui il difetto sia causato da:
 - a) uso inconsueto, improprio o negligente o uso scorretto del Prodotto ARB
 - b) montaggio errato del Prodotto ARB non eseguito in un Punto Vendita ARB
 - c) caricamento del Prodotto ARB con pesi superiori a quelli indicati nelle Informazioni sul Prodotto
 - d) uso di componenti ARB non originali nel o con il Prodotto ARB
 - e) uso su veicoli con modifiche non approvate nelle Informazioni sul Prodotto o presso un Punto vendita ARB al momento del montaggio
 - f) uso in corse o competizioni
 - g) uso del Prodotto ARB al di fuori dei requisiti delle Informazioni sul Prodotto
- 3) La procedura di richiesta di efficacia della garanzia da parte del cliente è la seguente:
 - a) restituire il Prodotto ARB al Punto vendita ARB più prossimo o contattare ARB per concordare un orario in cui portare un veicolo equipaggiato con il Prodotto ARB presso un Punto vendita ARB ai fini dell'ispezione. Gli estremi di contatto sono riportati nel sottostante capoverso 7 qualora siano necessarie ulteriori informazioni riguardo agli estremi del punto vendita di zona
 - b) portare prova di acquisto del Prodotto ARB al Punto vendita ARB
 - c) ARB esaminerà il Prodotto ARB e stabilirà se sono state soddisfatte le condizioni della garanzia
- 4) Se ARB accetta la richiesta di attuazione della garanzia, ARB rettificherà qualsiasi difetto della manodopera o dei materiali a proprie spese.
- 5) Le spese ottenute dal cliente per la richiesta di attuazione della garanzia sono a carico del cliente.
- 6) La presente garanzia è concessa da:

ARB Corporation Limited
42-44 Garden Street Kilsyth VIC 3137, Australia
Tel.: 03 9761 6622
Fax: 03 9721 9090
www.arb.com.au
- 7) Il periodo entro cui un difetto nei Prodotti ARB deve manifestarsi, se il cliente deve avere diritto ad esigere l'attuazione della garanzia, è 3 anni a partire dalla di acquisto salvo:
 - a) Il Prodotto ARB sia utilizzato in Utilizzo commerciale. Utilizzo commerciale significa utilizzo in ambito industriale o commerciale, ivi compresi (senza limitazione) l'utilizzo nell'industria mineraria o in un veicolo a noleggio. In tal caso, il Periodo di validità della Garanzia è quello minore tra 1 anno o 20.000 km, ovvero un terzo del periodo o della distanza specificati nella tabella, a partire dalla data di acquisto.
- 8) La garanzia da difetti contenuta nel presente documento sostituisce ogni altra garanzia da difetti o garanzia a titolo gratuito concessa in relazione ai Prodotti.

Le nostre merci sono provviste di garanzie che non possono essere escluse a norma della legislazione australiana in materia di tutela dei clienti. Lei ha diritto a una sostituzione o un rimborso per una omissione di grave entità e ad un risarcimento per qualsiasi altra perdita o altro danno ragionevolmente prevedibile. Lei ha inoltre il diritto di farsi riparare o sostituire le merci qualora esse non risultino essere di qualità accettabile e tale carenza non ammonti a una omissione di grave entità.

11 RISOLUZIONE DEI PROBLEMI

La seguente lista di controllo aiuta ad individuare l'origine di un eventuale problema con il frigorifero. Se dopo avere eseguito le operazioni indicate in questa lista di controllo si è ancora incerti sulla causa dell'anomalia, contattare il tecnico addetto all'assistenza frigoriferi ARB più vicino.

1. Il frigorifero ha smesso di funzionare. La spia LED Power non emette luce.

1.1 I collegamenti del cavo di alimentazione elettrica potrebbero essere allentati o sporchi all'estremità lato frigorifero o a quella lato alimentazione elettrica.

- Verificare che i collegamenti del cavo di alimentazione elettrica del frigorifero non si siano allentati o scollegati.
- Verificare che i contatti elettrici non si siano sporcati e non stiano impedendo la piena erogazione della tensione al frigorifero.

1.2 Il fusibile nella spina del cavo a 12/24 V c.c. può essersi bruciato.

- Controllare il fusibile della spina del cavo a 12/24 V c.c. e, se necessario, sostituirlo. Fare riferimento al paragrafo 6.20.

1.3 Il fusibile del contenitore può essersi bruciato.

- Controllare il fusibile del contenitore e, se necessario, sostituirlo. Fare riferimento al paragrafo 6.21.

2. Il compressore del frigorifero ha smesso di funzionare. La spia LED Power emette luce ARANCIONE.

2.1 Il frigorifero ha raggiunto la temperatura di riferimento del contenitore desiderata.

- Il frigorifero funziona correttamente. Non è necessario alcun intervento.

3. Il frigorifero ha smesso di funzionare. La spia LED Power è SPENTA e la spia LED Check ROSSA lampeggia.

3.1 Il sistema interno di protezione della batteria ha fatto spegnere il frigorifero perché la tensione della batteria è bassa.

- Il frigorifero si riavvierà automaticamente una volta raggiunta la tensione di riavvio. Fare riferimento al paragrafo 6.12 per le tensioni di spegnimento e di riavvio.

4. Il frigorifero non raffredda o ha smesso di funzionare. La spia LED Power emette luce verde.

4.1 Può esserci un guasto interno nel frigorifero.

- Tale guasto può essere riparato soltanto da un tecnico addetto all'assistenza tecnica dei frigoriferi ARB autorizzato.

5. Il quadro comandi visualizza un messaggio di errore (per es.: "ERR1", "ERR2" o "ERR3") e il frigorifero non raffredda.

5.1 Il frigorifero potrebbe essersi spento a causa di un guasto interno.

- Tale guasto può essere riparato soltanto da un tecnico addetto all'assistenza tecnica dei frigoriferi ARB autorizzato.

6. Quando è collegato all'impianto elettrico di un veicolo in marcia, il frigorifero di tanto in tanto vibra o smette di funzionare.

6.1 È probabile che nel cablaggio del veicolo si verifichi una perdita di tensione.

- Ciò può essere verificato effettuando una misura di tensione all'estremità lato frigorifero del cavo di alimentazione mentre il frigorifero è in funzione. Se la tensione misurata è inferiore a 11,8 V (alimentazione a 12 V c.c.) o a 24,1 V (alimentazione a 24 V c.c.), occorre far controllare l'impianto elettrico.
- Se necessario, potenziare il circuito di cablaggio utilizzando come guida le informazioni riportate nel paragrafo 6.4.4.

7. Il frigorifero si arresta e si avvia o funziona in modo irregolare

7.1 Il sistema interno di protezione della batteria potrebbe fare spegnere il frigorifero perché la tensione della batteria è bassa.

- Controllare se la tensione di alimentazione in corrispondenza della spina del frigorifero è scesa al di sotto della tensione di arresto indicata nell'elenco di cui al paragrafo 6.12. La tensione deve essere misurata in corrispondenza della spina del frigorifero, in quanto di norma vi è una caduta di tensione di almeno uno o due volt tra la fonte di alimentazione elettrica (batteria) e la spina del frigorifero.
- Può darsi che sia necessaria la sostituzione della batteria del veicolo o che il cablaggio per l'alimentazione del frigorifero debba essere potenziato. Fare riferimento al paragrafo 6.4.4 per i particolari sui requisiti di cablaggio.

8. Il frigorifero funziona per un tempo eccessivo e non raffredda bene.

8.1 Le buone prestazioni del frigorifero, soprattutto a temperature esterne elevate, dipendono dalla buona circolazione dell'aria intorno alle fessure di raffreddamento del frigorifero.

- Controllare che tutte le fessure di ventilazione siano sgombre e che vi sia spazio libero sufficiente per una buona circolazione dell'aria intorno al frigorifero. Fare riferimento al paragrafo 5.1 per i dettagli.

9. Quando il coperchio del frigorifero è aperto, la luce a LED del contenitore non si accende.

9.1 Il frigorifero potrebbe non essere collegato a un'alimentazione elettrica idonea.

- Controllare il collegamento tra la fonte di alimentazione elettrica e il frigorifero.

9.2 Il frigorifero potrebbe non essere acceso sul quadro comandi.

- Accendere il frigorifero sul quadro comandi.

ARB 4x4 ACCESSORIES

Corporate Head Office

42-44 Garden St
Kilsyth, Victoria
AUSTRALIA
3137

Tel: +61 (3) 9761 6622
Fax: +61 (3) 9761 6807

Australian enquiries
North and South American enquiries
European enquiries
Thailand enquiries
Middle East and North African enquiries
Other international enquiries

sales@arb.com.au
sales@arbusa.com
sales@arbeurope.com
sales.thailand@arb.com.au
purchasingmena@arb.com.au
exports@arb.com.au

www.arb.com.au